



MITSUBISHI 9900B 500kVA UPS DIRECT CABLE CONFIGURATION

CUSTOMER -
PROJECT NUMBER -
PROJECT LOCATION -

TABLE OF CONTENTS

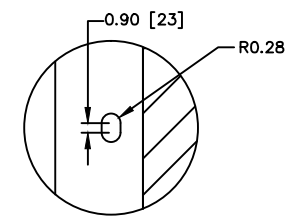
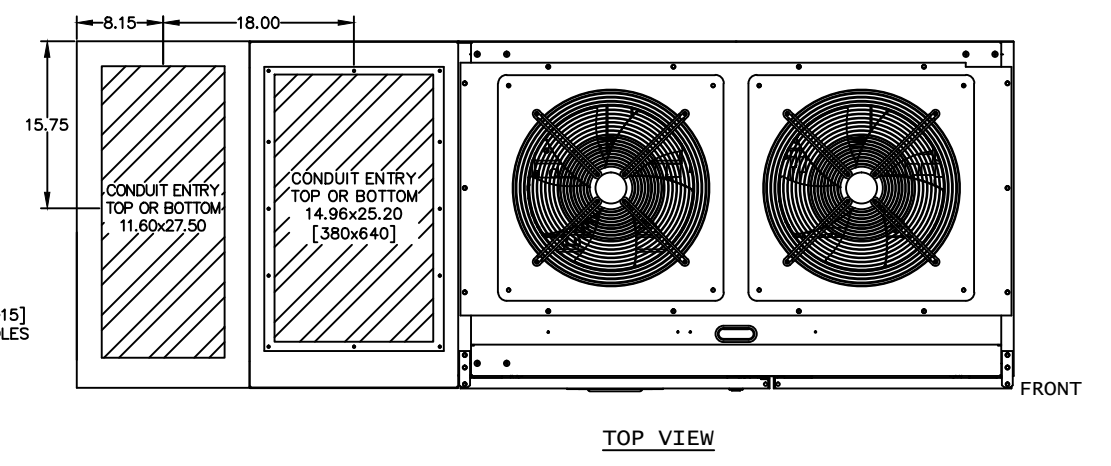
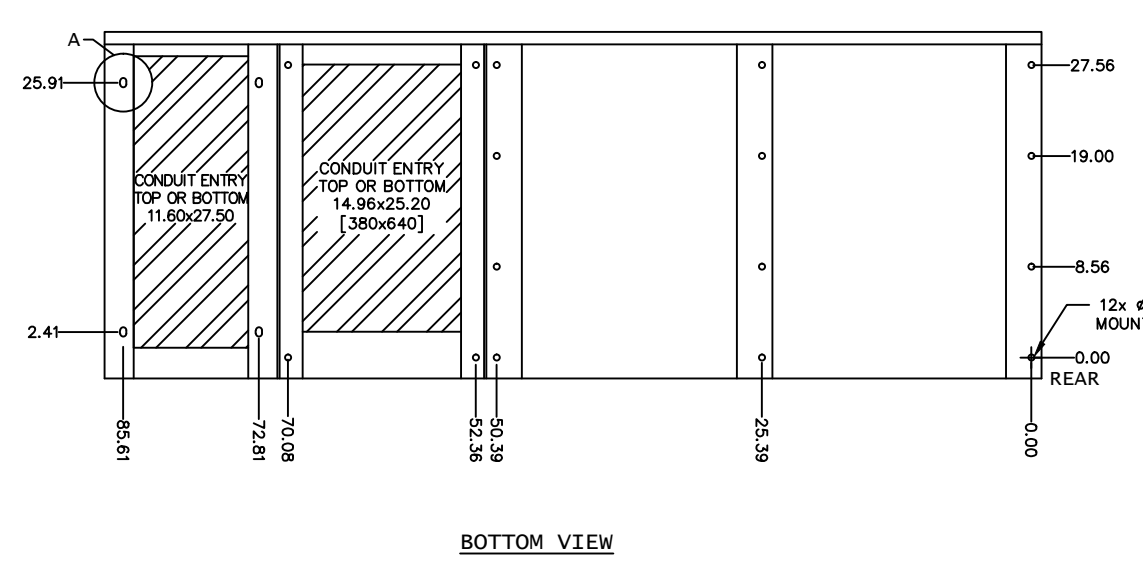
SHEET NO.	TITLE
01	COVER SHEET
02	UPS & SIDECAR DIRECT CABLE CONFIGURATION
03	500kVA UPS DETAIL
04	UPS ONE-LINE DIAGRAM
05	UPS ELECTRICAL SCHEMATIC
06	UPS CONTACT DIAGRAM
07	
08	
09	
10	
11	
12	
13	
14	
15	

REVISIONS
0 RELEASED FOR USE NRR 6/13/11
1 REVISED CONDUIT ENTRY RJM 7/13/12
2 REVISED BATTERY GROUND JUL 11/15/13
3 ADDED COG FOR UPS AND SIDECARS EGF 12/31/13
4 REVISED MOUNTING HOLES RAL 3/7/14
5 REVISED TEXT ON SHEET 6 OF 6 GDJ 2/19/15

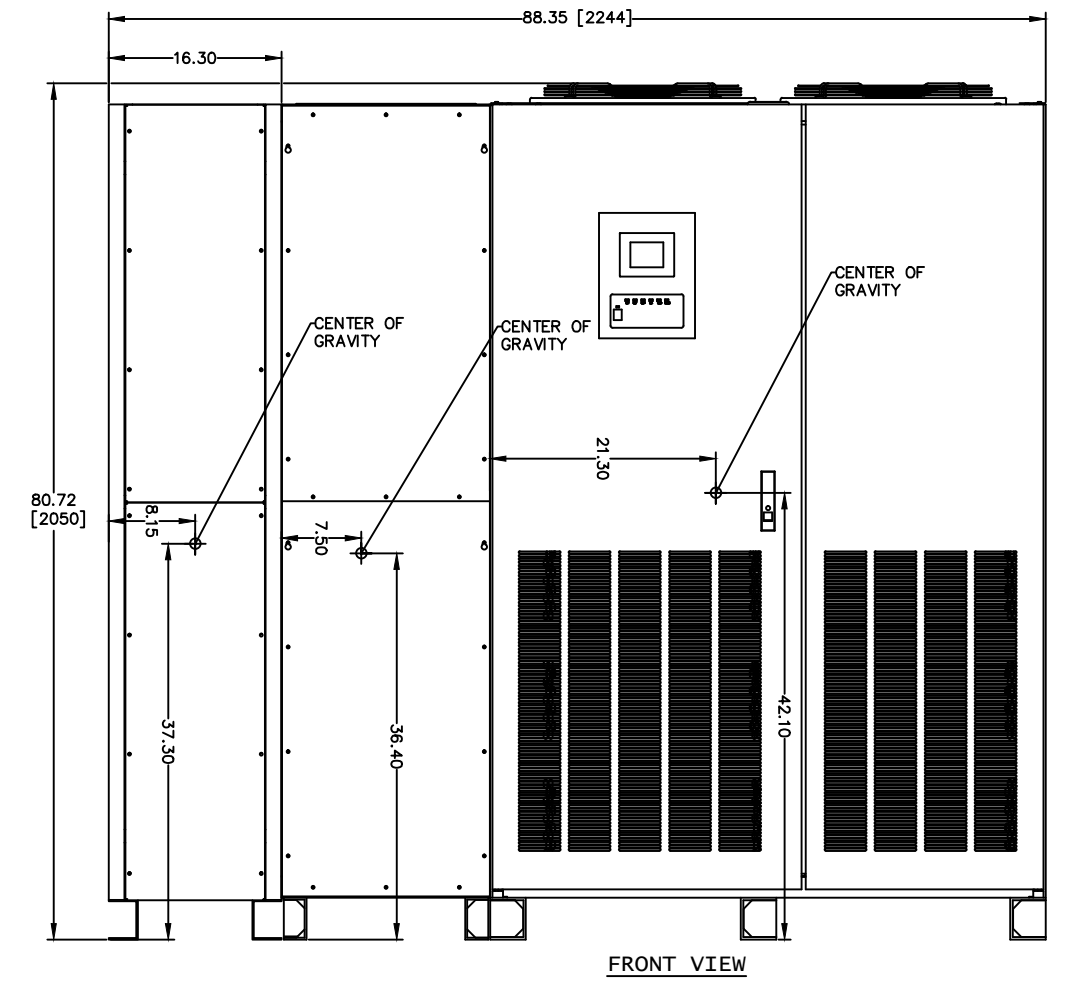
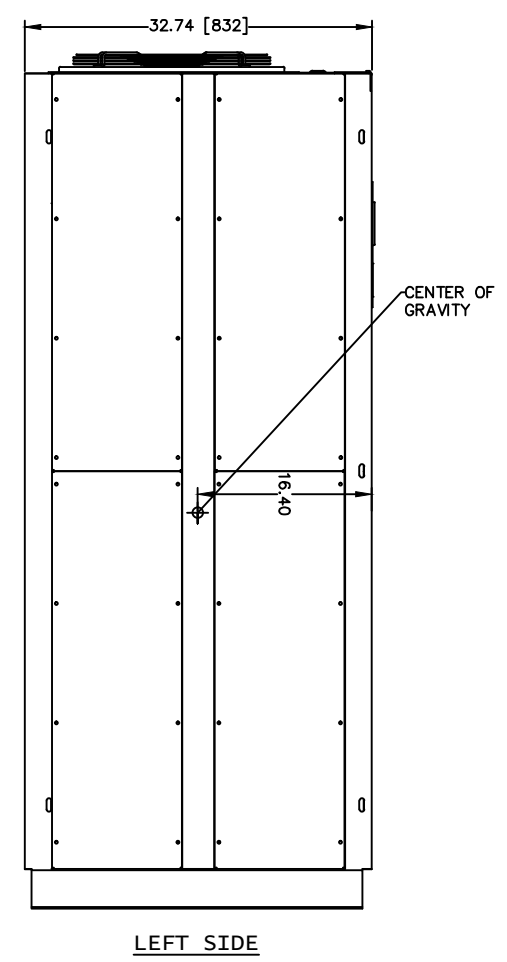
DIM. IN: INCHES	SCALE: NTS	DRAFTER: J.LIEBERT	DATE: 11/15/13	 MITSUBISHI ELECTRIC POWER PRODUCTS, INC. WARRENDALE, PA.
PROPRIETARY THIS DOCUMENT IS PROPERTY OF MITSUBISHI ELECTRIC POWER PRODUCTS INC. AND CONTAINS PROPRIETARY AND CONFIDENTIAL INFORMATION WHICH MUST NOT BE DUPLICATED, USED OR DISCLOSED OTHER THAN AS EXPRESSLY AUTHORIZED BY MITSUBISHI ELECTRIC POWER PRODUCTS INC.		CHECKED: N.RIEMER	DATE: 11/15/13	
		ENGINEER: N.RIEMER	DATE: 11/15/13	
REF. DWG. No.	APPROVED:	DATE:	TITLE: 9900B 500kVA UPS STANDARD CONFIGURATION	
FILE LOCATION:			DWG No. UD-100114	SHEET 1 OF 6 REV: 5

NOTES

1. FIELD CABLES AND TERMINATIONS BY OTHERS.
(AC INPUT, DC INPUT, BYPASS INPUT AND AC OUTPUT.)
2. PHASE ROTATION CLOCKWISE A, B, C.
3. 19.7" SIDECAR SHIPPED ATTACHED TO UPS.
4. 16.3" SIDECAR SHIPPED SEPARATE
5. CABINET MUST MAINTAIN ±15° UPRIGHT.
6. APPROXIMATE WEIGHT: 3,570LBS



16.3" SIDECAR ANCHORING (TYP 4)



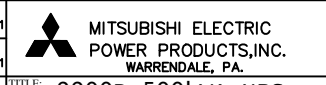
REVISIONS	DATE	BY	DESCRIPTION
0	RELEASED FOR USE	NRR	6/13/11
1	REVISED CONDUIT ENTRY	RJM	7/13/12
2	REVISED BATTERY GROUND		
3	ADDED COG FOR UPS AND SIDECARS		12/31/13
4	REVISED MOUNTING HOLES		5/7/14
5	REVISED TEXT ON SHEET 6 OF 6		2/19/15

DIM. IN: INCHES	SCALE: NTS	DRAFTER: T.DIEBLE	DATE: 06/03/11
PROPRIETARY THIS DOCUMENT IS PROPERTY OF MITSUBISHI ELECTRIC POWER PRODUCTS INC. AND CONTAINS PROPRIETARY AND CONFIDENTIAL INFORMATION WHICH MUST NOT BE DUPLICATED, USED OR DISCLOSED OTHER THAN AS EXPRESSLY AUTHORIZED BY MITSUBISHI ELECTRIC POWER PRODUCTS INC.		CHECKED: N.RIEMER	DATE: 06/03/11
		ENGINEER: N.RIEMER	DATE: 06/03/11
REF. DWG. No.		APPROVED:	DATE:
FILE LOCATION:			

UD-100114

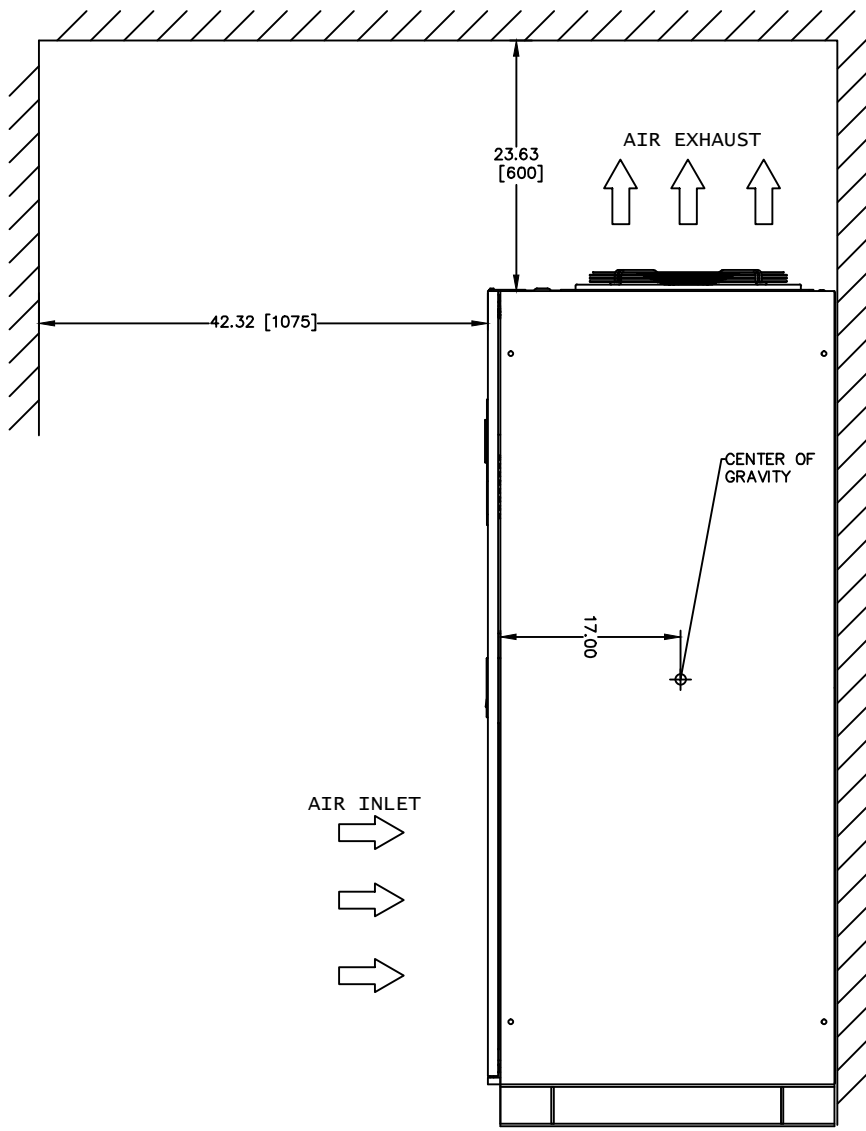
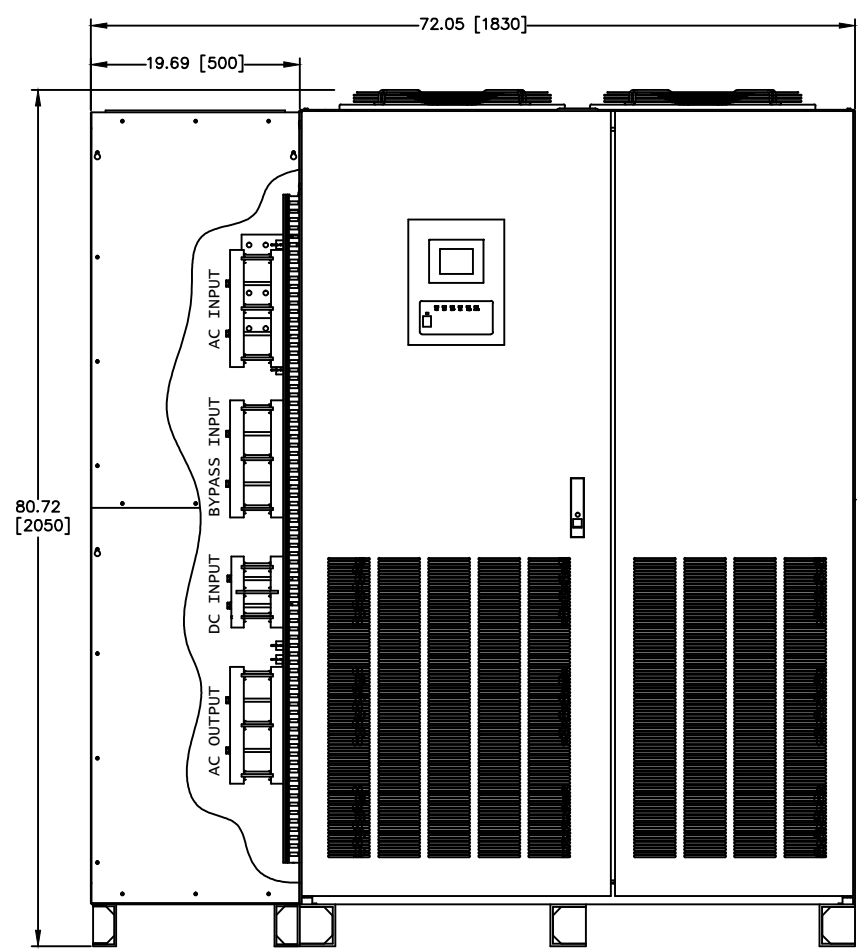
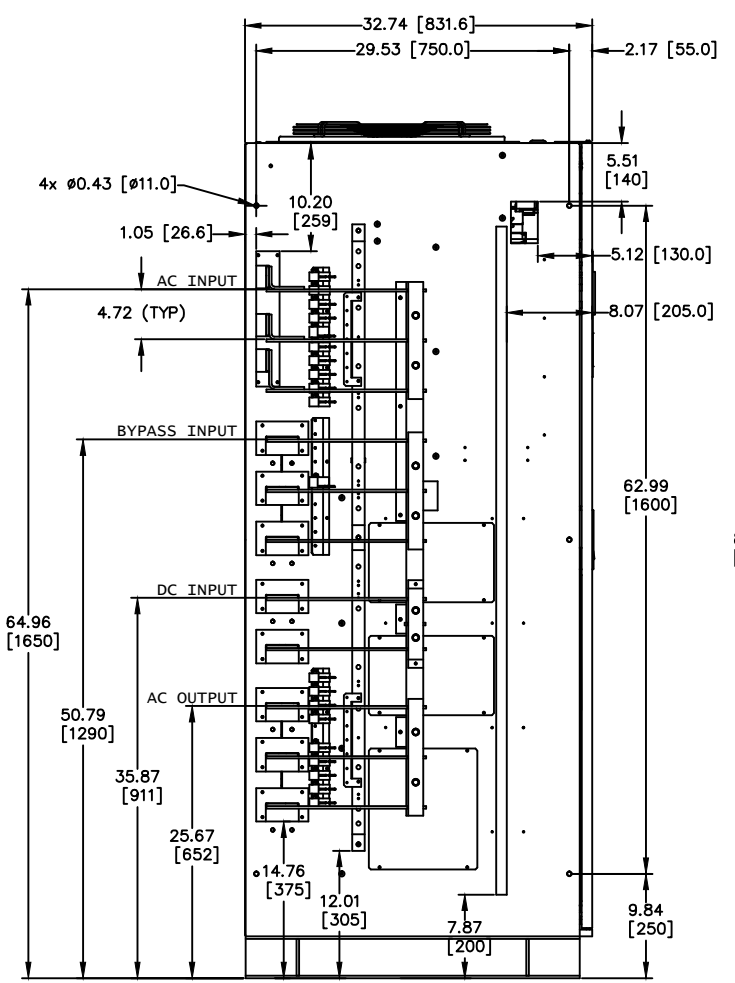
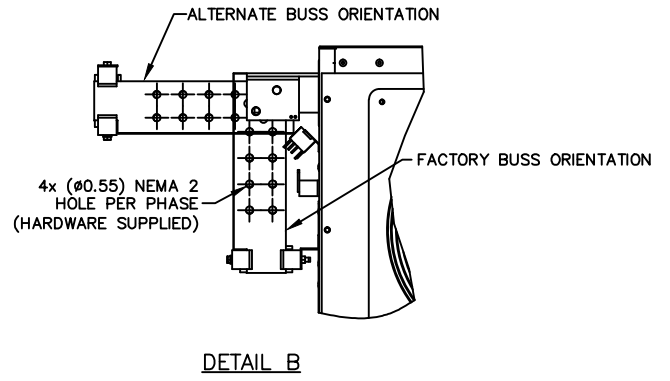
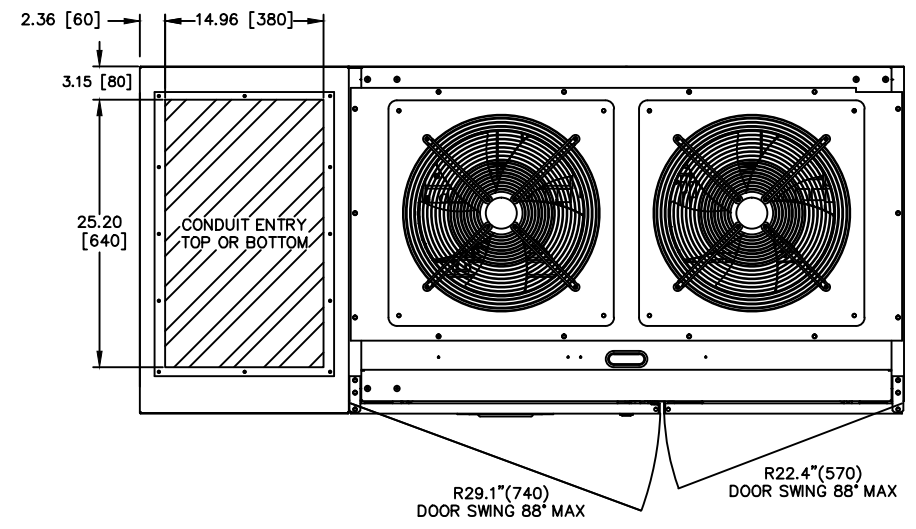
SHEET 2 OF 6

5



TITLE: 9900B 500kVA UPS STANDARD CONFIGURATION

- NOTES**
1. FIELD CABLES AND TERMINATIONS BY OTHERS. (AC INPUT, DC INPUT, BYPASS INPUT AND AC OUTPUT.)
 2. PHASE ROTATION CLOCKWISE A, B, C.
 3. 19.7" SIDECAR SHIPPED ATTACHED TO UPS.
 4. CABINET MUST MAINTAIN ±15° UPRIGHT.
 5. APPROXIMATE WEIGHT: 3,300LBS



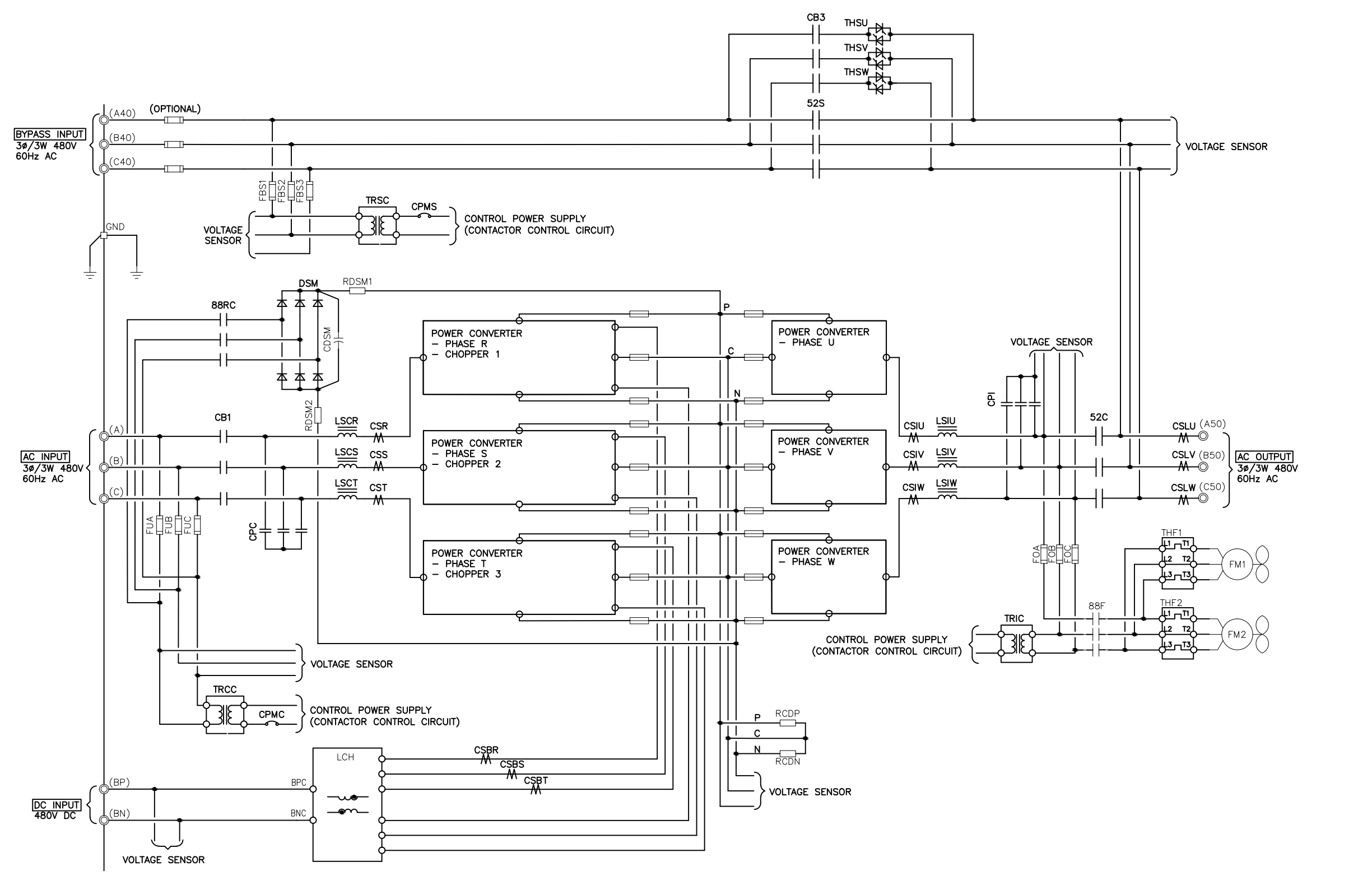
REVISIONS	DATE	BY
0 RELEASED FOR USE	NRR 6/13/11	
1 REVISED CONDUIT ENTRY	RJM 7/13/12	
2 REVISED BATTERY GROUND	JUL 11/15/13	
3 ADDED COG FOR UPS AND SIDECARS	EGF 12/31/13	
4 REVISED MOUNTING HOLES	RAJ 5/7/14	
5 REVISED TEXT ON SHEET 6 OF 6 GDU	2/19/15	

DIM. IN: INCHES	SCALE: NTS	DRAFTER: T.DIEBLE	DATE: 06/03/11
<small>PROPRIETARY THIS DOCUMENT IS PROPERTY OF MITSUBISHI ELECTRIC POWER PRODUCTS INC. AND CONTAINS PROPRIETARY AND CONFIDENTIAL INFORMATION WHICH MUST NOT BE DUPLICATED, USED OR DISCLOSED OTHER THAN AS EXPRESSLY AUTHORIZED BY MITSUBISHI ELECTRIC POWER PRODUCTS INC.</small>		CHECKED: N.RIEMER	DATE: 06/03/11
		ENGINEER: N.RIEMER	DATE: 06/03/11
		APPROVED:	DATE:
REF. DWG. No.			
FILE LOCATION:			

MITSUBISHI ELECTRIC POWER PRODUCTS, INC.
WARRENDALE, PA.

TITLE: 9900B 500kVA UPS STANDARD CONFIGURATION

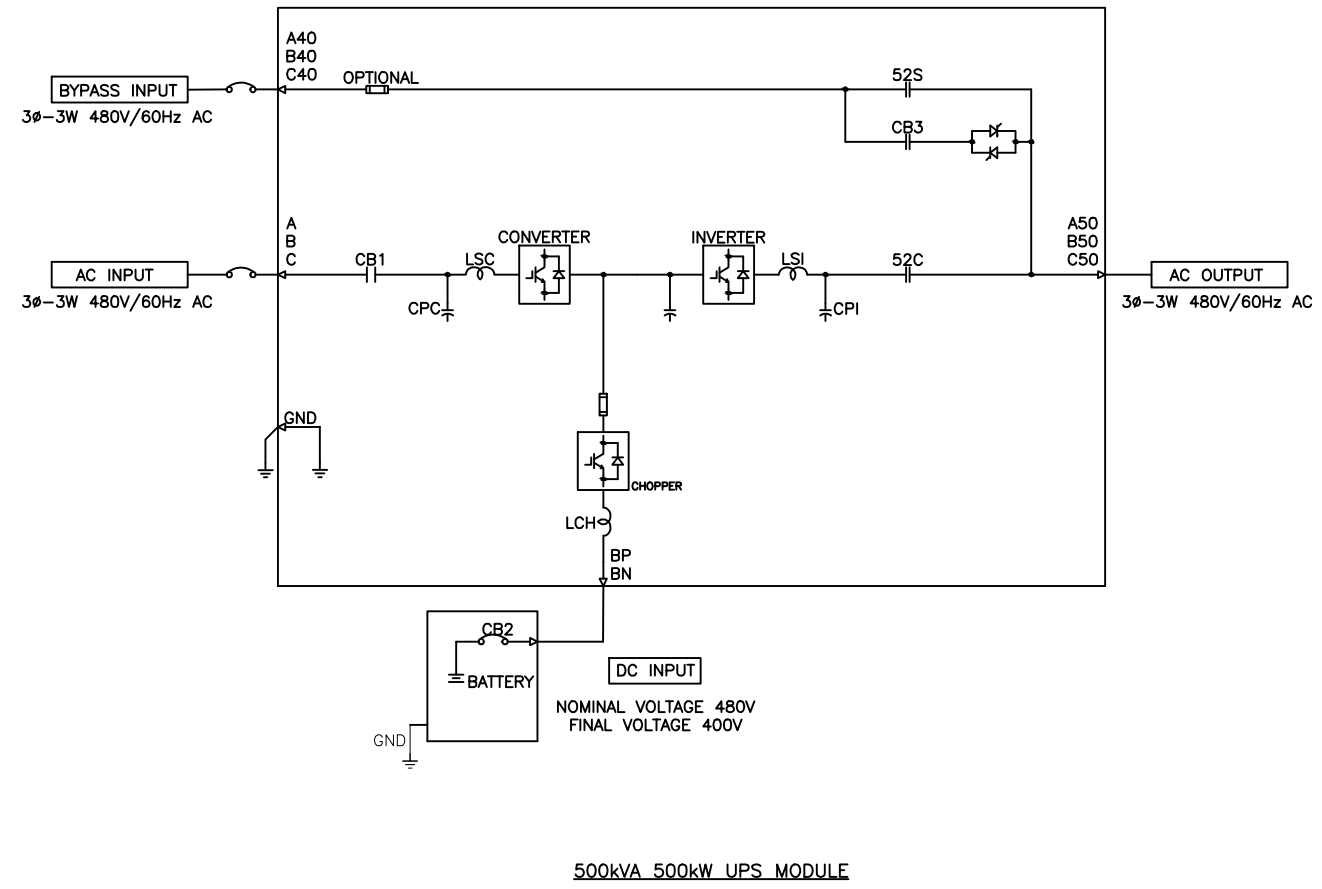
DWG No. UD-100114 SHEET 3 OF 6 REV: 5



REVISIONS
0 RELEASED FOR USE NRR 6/13/11
1 REVISED CONDUIT ENTRY RJM 7/13/12
2 REVISED BATTERY GROUND JUL 11/15/13
3 ADDED COG FOR UPS AND SIDECARS EGF 12/31/13
4 REVISED MOUNTING HOLES RAL 5/7/14
5 REVISED TEXT ON SHEET 6 OF 6 GDJ 2/19/15

DIM. IN: INCHES	SCALE: NTS	DRAFTER: T.DIEBLE	DATE: 06/03/11
PROPRIETARY THIS DOCUMENT IS PROPERTY OF MITSUBISHI ELECTRIC POWER PRODUCTS INC. AND CONTAINS PROPRIETARY AND CONFIDENTIAL INFORMATION WHICH MUST NOT BE DUPLICATED, USED OR DISCLOSED OTHER THAN AS EXPRESSLY AUTHORIZED BY MITSUBISHI ELECTRIC POWER PRODUCTS INC.		CHECKED: N.RIEMER	DATE: 06/03/11
REF. DWG. No.	APPROVED: N.RIEMER	ENGINEER: N.RIEMER	DATE: 06/03/11
FILE LOCATION:			

MITSUBISHI ELECTRIC POWER PRODUCTS, INC. WARRENDALE, PA.	
TITLE: 9900B 500kVA UPS STANDARD CONFIGURATION	
SHEET 4 OF 6	REV: 5



REVISIONS
0 RELEASED FOR USE NRR 6/13/11
1 REVISED CONDUIT ENTRY RJM 7/13/12
2 REVISED BATTERY GROUND JUL 11/15/13
3 ADDED COG FOR UPS AND SIDECARS EGF 12/31/13
4 REVISED MOUNTING HOLES RAL 5/7/14
5 REVISED TEXT ON SHEET 6 OF 6 GDJ 2/19/15

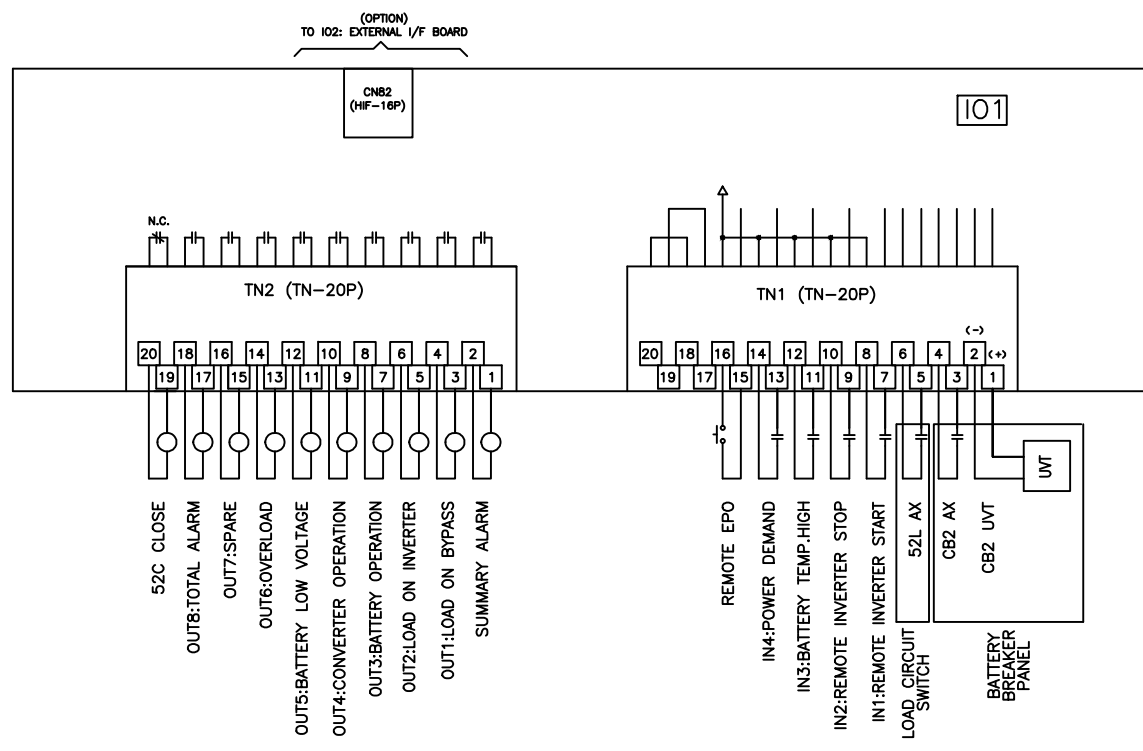
PROPRIETARY THIS DOCUMENT IS PROPERTY OF MITSUBISHI ELECTRIC POWER PRODUCTS INC. AND CONTAINS PROPRIETARY AND CONFIDENTIAL INFORMATION WHICH MUST NOT BE DUPLICATED, USED OR DISCLOSED OTHER THAN AS EXPRESSLY AUTHORIZED BY MITSUBISHI ELECTRIC POWER PRODUCTS INC.	CHECKED: N.RIEMER DATE 06/03/11	DATE 06/03/11
ENGINEER: N.RIEMER DATE 06/03/11	APPROVED:	DATE
REF. DWG. No.	FILE LOCATION:	

DIM. IN: INCHES	SCALE: NTS	DRAFTER: T.DIEBLE	DATE 06/03/11
MITSUBISHI ELECTRIC POWER PRODUCTS, INC. WARRENDALE, PA.		TITLE: 9900B 500kVA UPS STANDARD CONFIGURATION	REV: 5

**MITSUBISHI ELECTRIC
POWER PRODUCTS, INC.**
 WARRENDALE, PA.

**9900B 500kVA UPS
STANDARD CONFIGURATION**

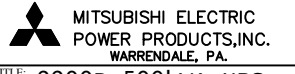
DWG No. UD-100114 SHEET 5 OF 6



UPS CONNECTION DIAGRAM

REVISIONS
0 RELEASED FOR USE NRR 6/13/11
1 REVISED CONDUIT ENTRY RJM 7/13/12
2 REVISED BATTERY GROUND JUL 11/15/13
3 ADDED COG FOR UPS AND SIDECARS EGF 12/31/13
4 REVISED MOUNTING HOLES RAL 3/7/14
5 REVISED TEXT ON SHEET 6 OF 6 GDJ 2/19/15

DIM. IN: INCHES	SCALE: NTS	DRAFTER: T.DIEBLE	DATE: 06/03/11
<small>PROPRIETARY THIS DOCUMENT IS PROPERTY OF MITSUBISHI ELECTRIC POWER PRODUCTS INC. AND CONTAINS PROPRIETARY AND CONFIDENTIAL INFORMATION WHICH MUST NOT BE DUPLICATED, USED OR DISCLOSED OTHER THAN AS EXPRESSLY AUTHORIZED BY MITSUBISHI ELECTRIC POWER PRODUCTS INC.</small>		CHECKED: N.RIEMER	DATE: 06/03/11
		ENGINEER: N.RIEMER	DATE: 06/03/11
		APPROVED:	DATE:
REF. DWG. No.			
FILE LOCATION:			



TITLE: 9900B 500kVA UPS STANDARD CONFIGURATION