


MITSUBISHI 9900B 750kVA UPS & SIDECAR DIRECT CABLE CONFIGURATION

CUSTOMER -
PROJECT NUMBER -
PROJECT LOCATION -

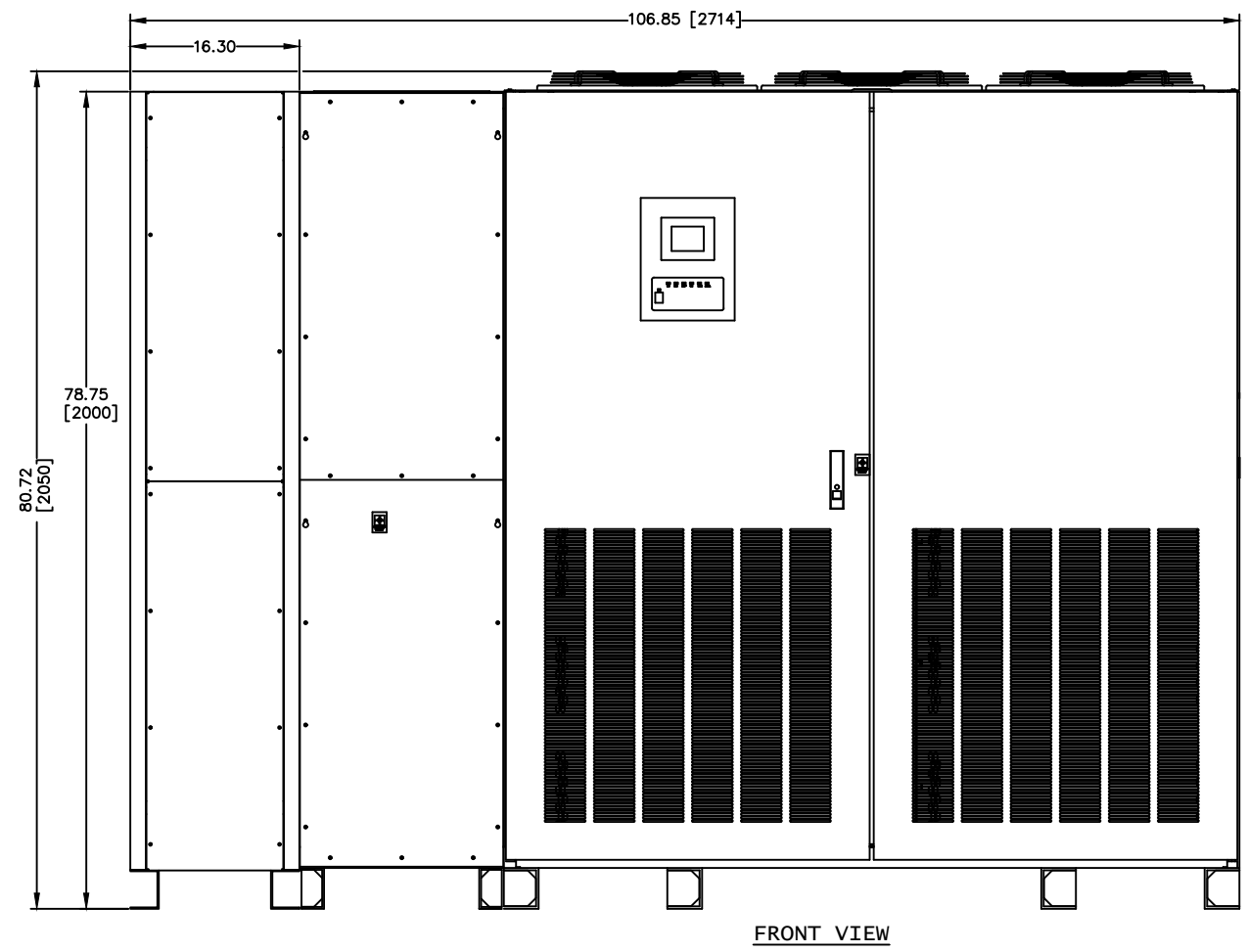
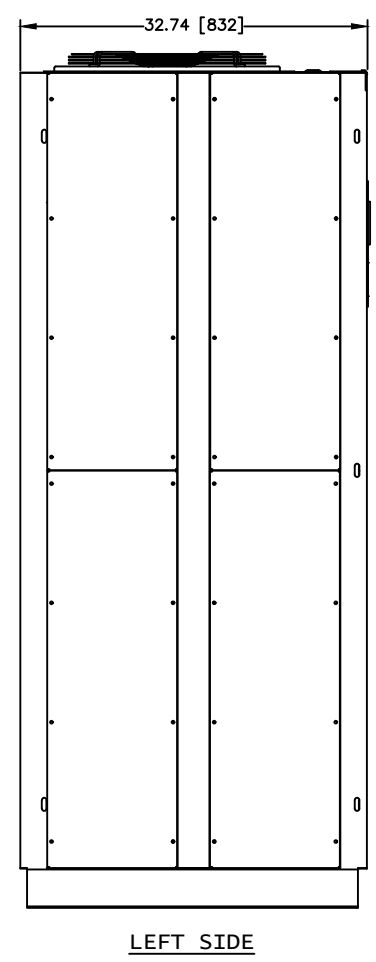
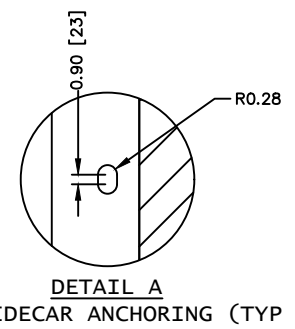
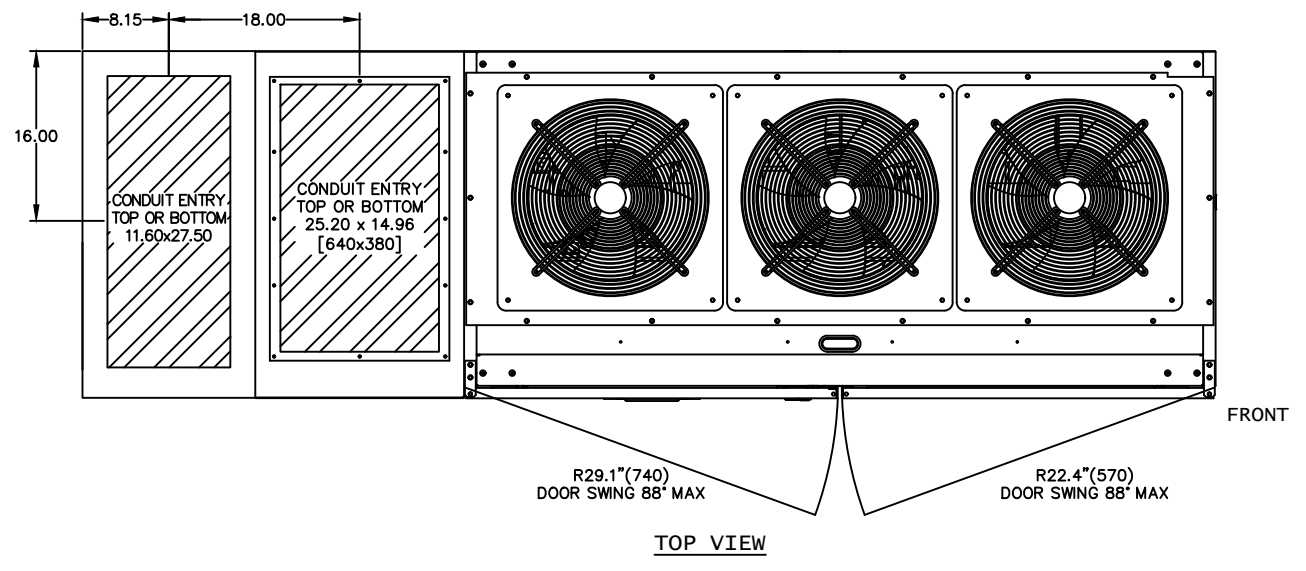
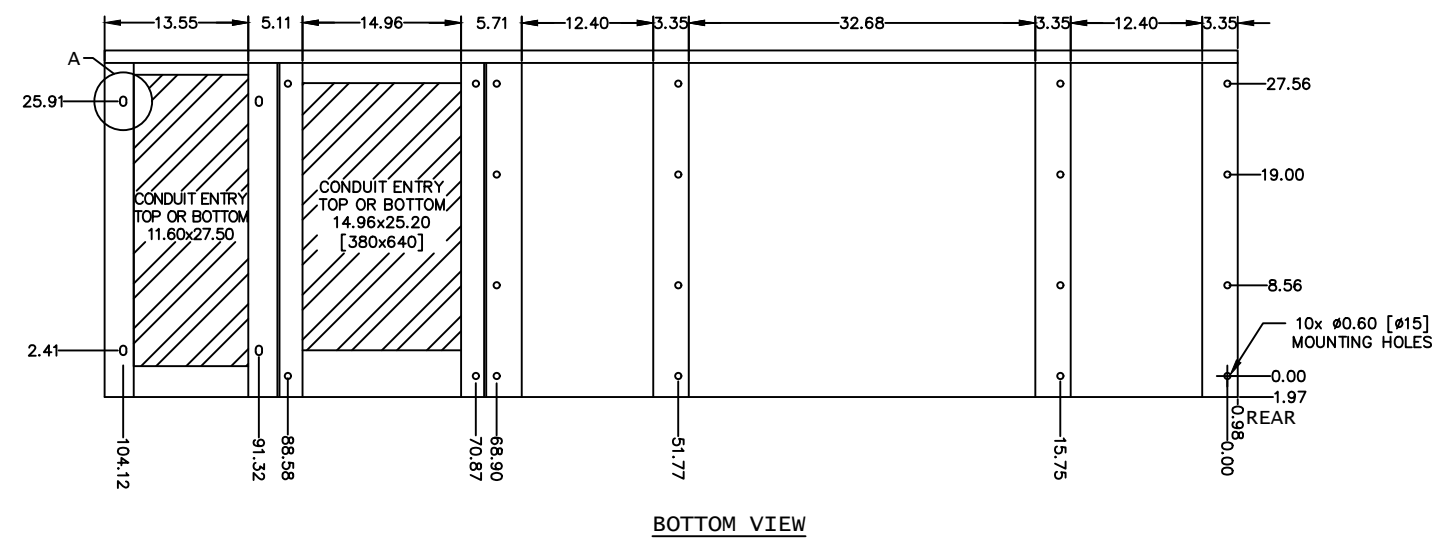
TABLE OF CONTENTS

SHEET NO.	TITLE
01	COVER SHEET
02	750kVA UPS & SIDECAR DIRECT CABLE CONFIGURATION
03	750kVA UPS DETAIL
04	UPS ONE-LINE DIAGRAM
05	UPS ELECTRICAL SCHEMATIC
06	UPS CONTACT DIAGRAM
07	
08	
09	
10	
11	
12	
13	
14	
15	

REVISIONS	0 RELEASED FOR USE NRR 6/13/11	01 ELECTRICAL SCHEMATIC REVISED JMB 5/12/12	02 BUS ELEVATIONS REVISED JMB 5/04/12	03 GENERAL REVISIONS NRR 6/27/12	04 REVISED CONDUIT ENTRY RJM 7/13/12	05 REVISED DC GROUND SPS 12/10/13	06 REVISED MOUNTING HOLES RAL 5/7/14	07 GENERAL TEXT REVISION NRR 12/30/14	08 GENERAL TEXT REVISION GDJ 2/19/15	09 GENERAL TEXT REVISION GDJ 7/15/15
-----------	-----------------------------------	--	--	-------------------------------------	---	--------------------------------------	---	--	---	---

DIM. IN: INCHES	SCALE: NTS	DRAFTER: T.DIEBLE	DATE: 06/03/11	 MITSUBISHI ELECTRIC POWER PRODUCTS, INC. WARRENDALE, PA.
<small>PROPRIETARY THIS DOCUMENT IS PROPERTY OF MITSUBISHI ELECTRIC POWER PRODUCTS INC. AND CONTAINS PROPRIETARY AND CONFIDENTIAL INFORMATION WHICH MUST NOT BE DUPLICATED, USED OR DISCLOSED OTHER THAN AS EXPRESSLY AUTHORIZED BY MITSUBISHI ELECTRIC POWER PRODUCTS INC.</small>		CHECKED: N.RIEMER	DATE: 06/03/11	
REF. DWG. No.		ENGINEER: N.RIEMER	DATE: 06/03/11	
FILE LOCATION:		APPROVED:	DATE:	

TITLE: 9900B 750kVA UPS STANDARD CONFIGURATION
 DWG No. UD-100116 SHEET 1 OF 6 REV: 10



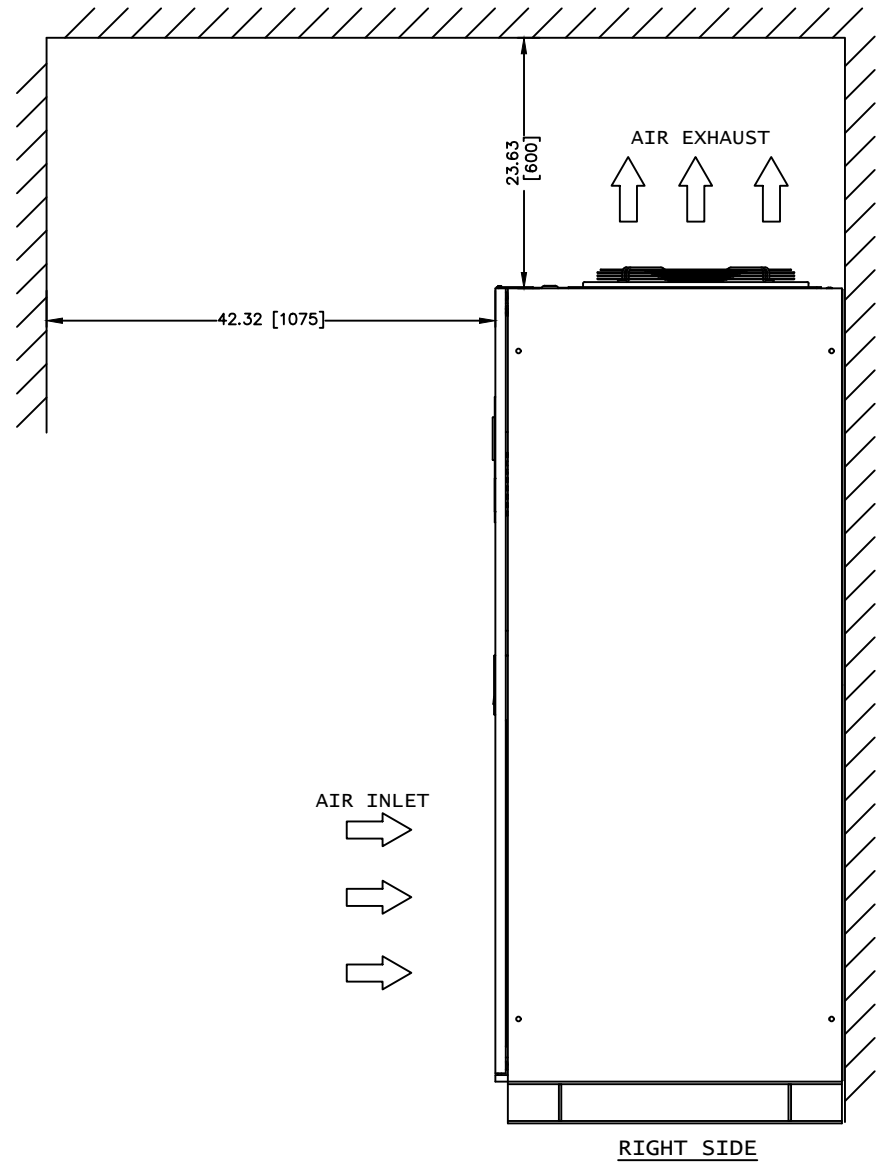
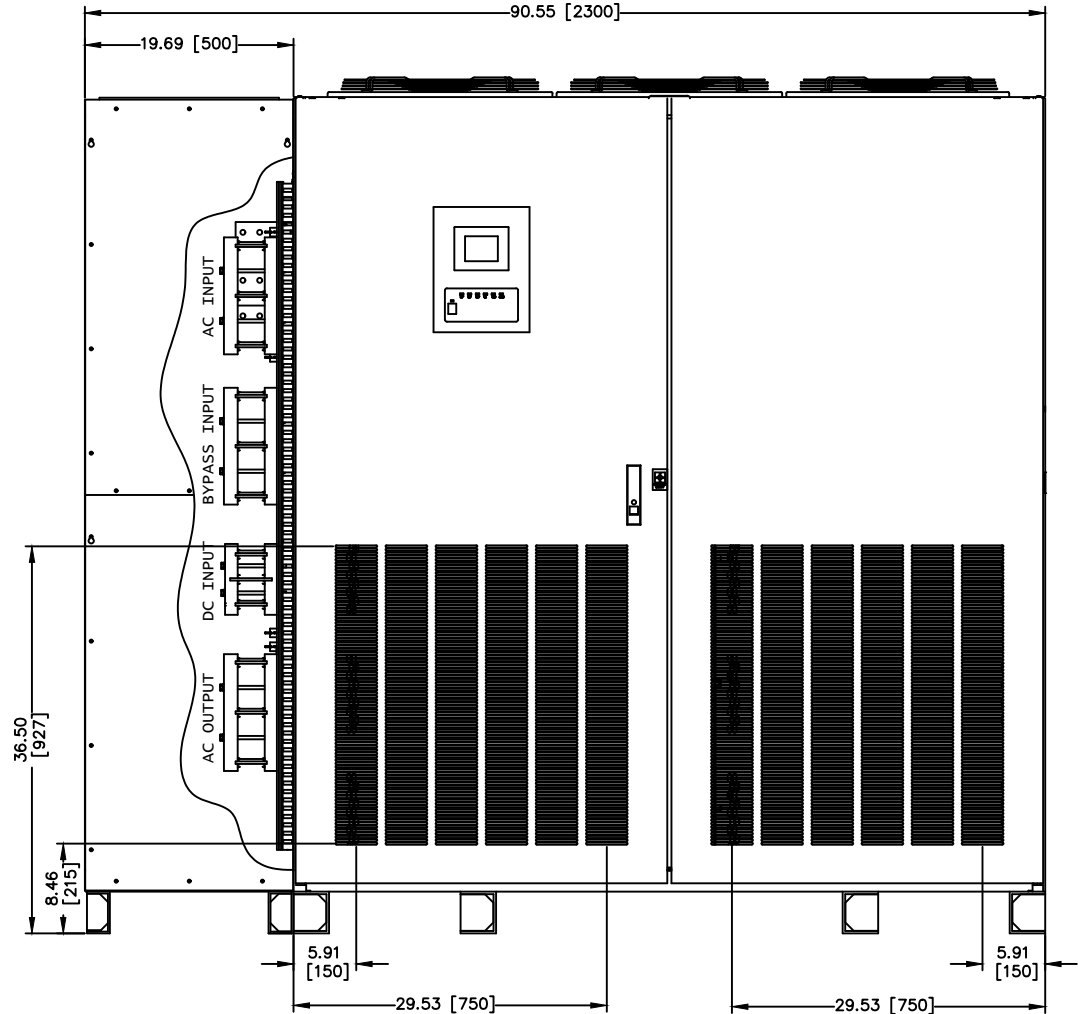
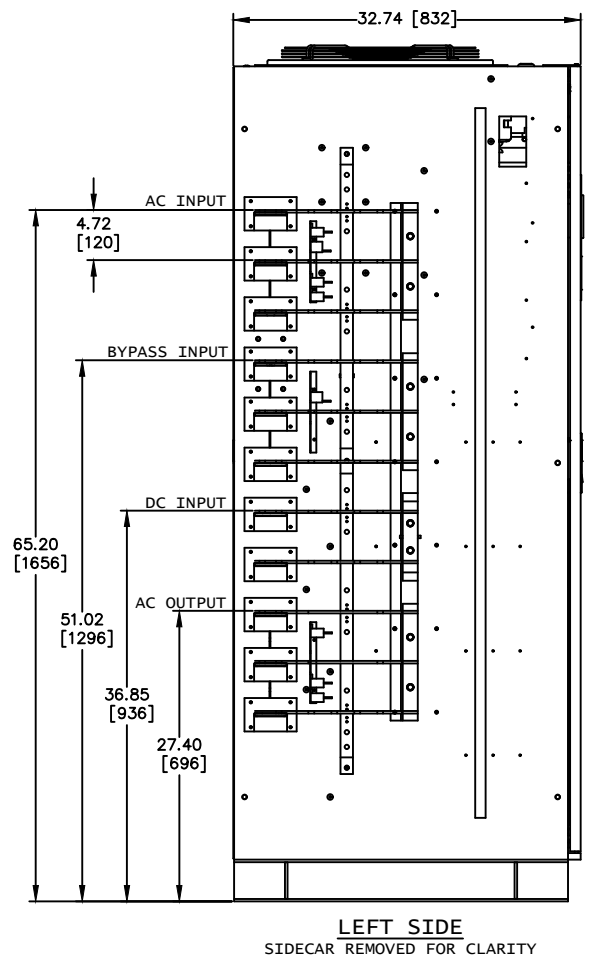
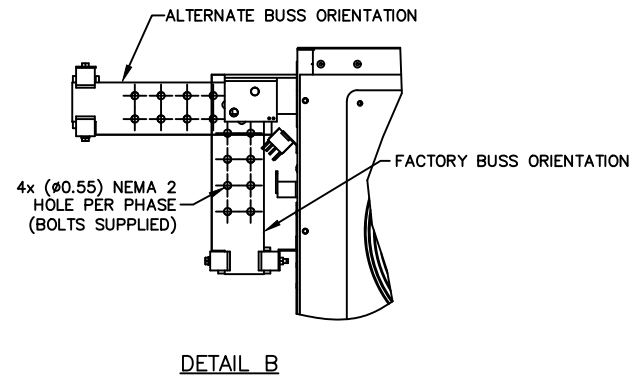
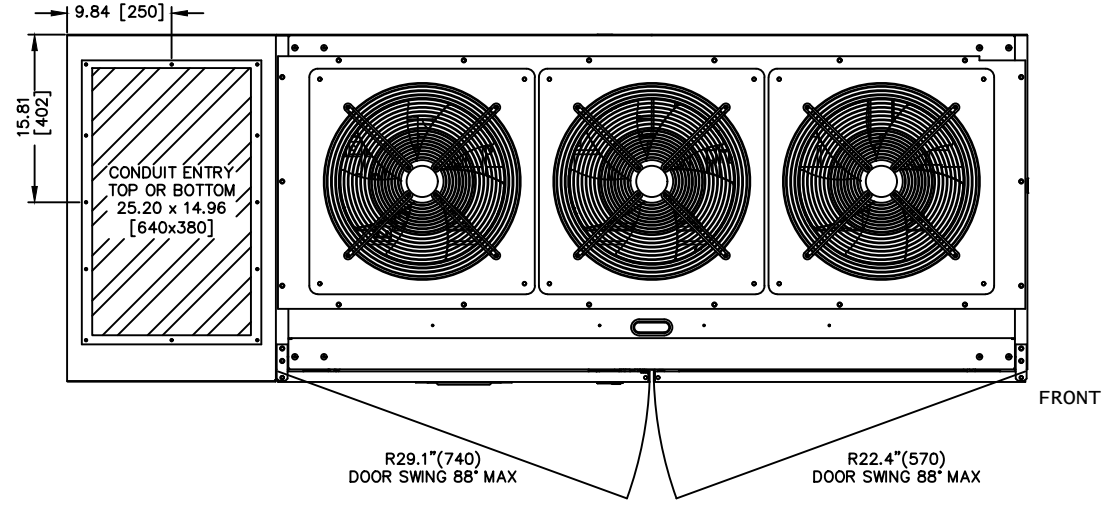
NOTES

1. FIELD CABLES AND TERMINATIONS BY OTHERS. (AC INPUT, DC INPUT, BYPASS INPUT AND AC OUTPUT.)
2. PHASE ROTATION CLOCKWISE A, B, C.
3. 16.3" SIDECAR SHIPPED SEPARATE FROM UPS.
4. CABINET MUST MAINTAIN ±15° UPRIGHT.
5. APPROXIMATE WEIGHT WITH EXTRA SIDECAR: 4,525LBS

REVISIONS	0 RELEASED FOR USE NRR 6/13/11	DIM. IN: INCHES	SCALE: NTS	DRAFTER: T.DIEBLE	DATE: 06/03/11	MITSUBISHI ELECTRIC POWER PRODUCTS, INC. WARRENDALE, PA. TITLE: 9900B 750kVA UPS STANDARD CONFIGURATION REF. DWG. No. UD-100116
	01 ELECTRICAL SCHEMATIC REVISED JMB 3/12/12	THIS DOCUMENT IS PROPERTY OF MITSUBISHI ELECTRIC POWER PRODUCTS INC. AND CONTAINS PROPRIETARY AND CONFIDENTIAL INFORMATION WHICH MUST NOT BE DUPLICATED, USED OR DISCLOSED OTHER THAN AS EXPRESSLY AUTHORIZED BY MITSUBISHI ELECTRIC POWER PRODUCTS INC.		CHECKED: N.RIEMER	DATE: 06/03/11	
	02 BUS ELEVATIONS REVISED JMB 5/04/12			ENGINEER: N.RIEMER	DATE: 06/03/11	
	03 GENERAL REVISIONS NRR 6/27/12			APPROVED:	DATE:	
04 REVISED CONDUIT ENTRY RJM 7/13/12		FILE LOCATION:				SHEET 3 OF 6 10
05 REVISED DC GROUND SPS 12/10/13						
06 REVISED MOUNTING HOLES RAL 5/7/14						
07 GENERAL TEXT REVISION NRR 12/30/14						
08 GENERAL TEXT REVISION GDJ 2/19/15						
09 GENERAL TEXT REVISION GDJ 7/15/15						

NOTES

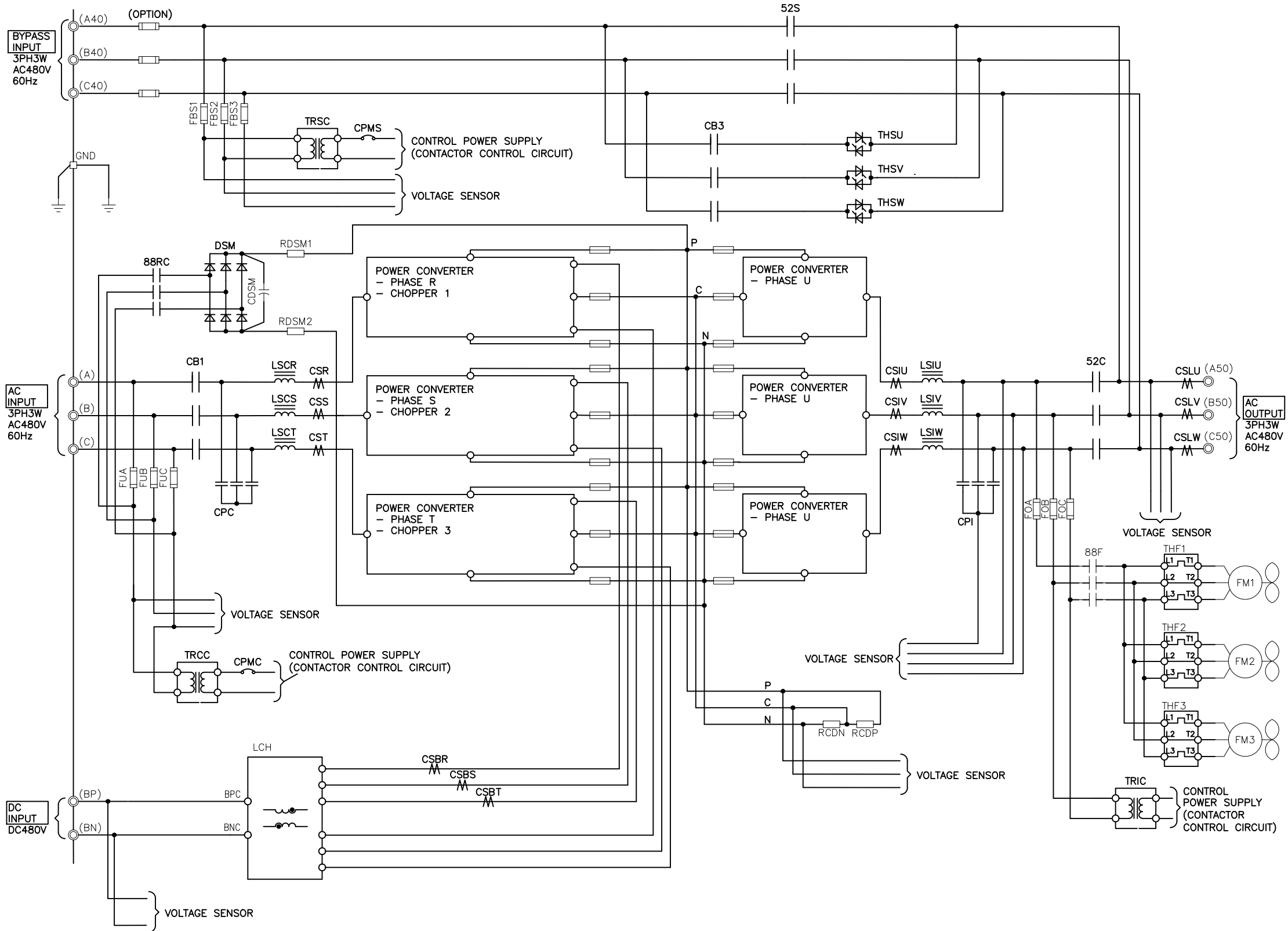
1. FIELD CABLES AND TERMINATIONS BY OTHERS. (AC INPUT, DC INPUT, BYPASS INPUT AND AC OUTPUT.)
2. PHASE ROTATION CLOCKWISE A, B, C.
3. 19.7" SIDECAR SHIPPED ATTACHED TO UPS.
4. CABINET MUST MAINTAIN ±15° UPRIGHT.
5. APPROXIMATE WEIGHT: 4,255LBS



REVISIONS	DATE	BY
0 RELEASED FOR USE	6/13/11	NRR
01 ELECTRICAL SCHEMATIC REVISED	3/12/12	JMB
02 BUS ELEVATIONS REVISED	5/04/12	JMB
03 GENERAL REVISIONS	6/27/12	NRR
04 REVISED CONDUIT ENTRY	7/13/12	RJM
05 REVISED DC GROUND	12/10/13	SPS
06 REVISED MOUNTING HOLES	5/7/14	RAL
07 GENERAL TEXT REVISION	12/30/14	NRR
08 GENERAL TEXT REVISION	2/19/15	GDJ
09 GENERAL TEXT REVISION	7/15/15	GDJ
10 CHANGED TEXT ON SHEET 2 OF 6	8/18/17	AJK

DIM. IN: INCHES	SCALE: NTS	DRAFTER: T.DIEBLE	DATE: 06/03/11
<small>PROPRIETARY THIS DOCUMENT IS PROPERTY OF MITSUBISHI ELECTRIC POWER PRODUCTS INC. AND CONTAINS PROPRIETARY AND CONFIDENTIAL INFORMATION WHICH MUST NOT BE DUPLICATED, USED OR DISCLOSED OTHER THAN AS EXPRESSLY AUTHORIZED BY MITSUBISHI ELECTRIC POWER PRODUCTS INC.</small>		CHECKED: N.RIEMER	DATE: 06/03/11
		ENGINEER: N.RIEMER	DATE: 06/03/11
		APPROVED:	DATE:
REF. DWG. No.			
FILE LOCATION:		UD-100116	

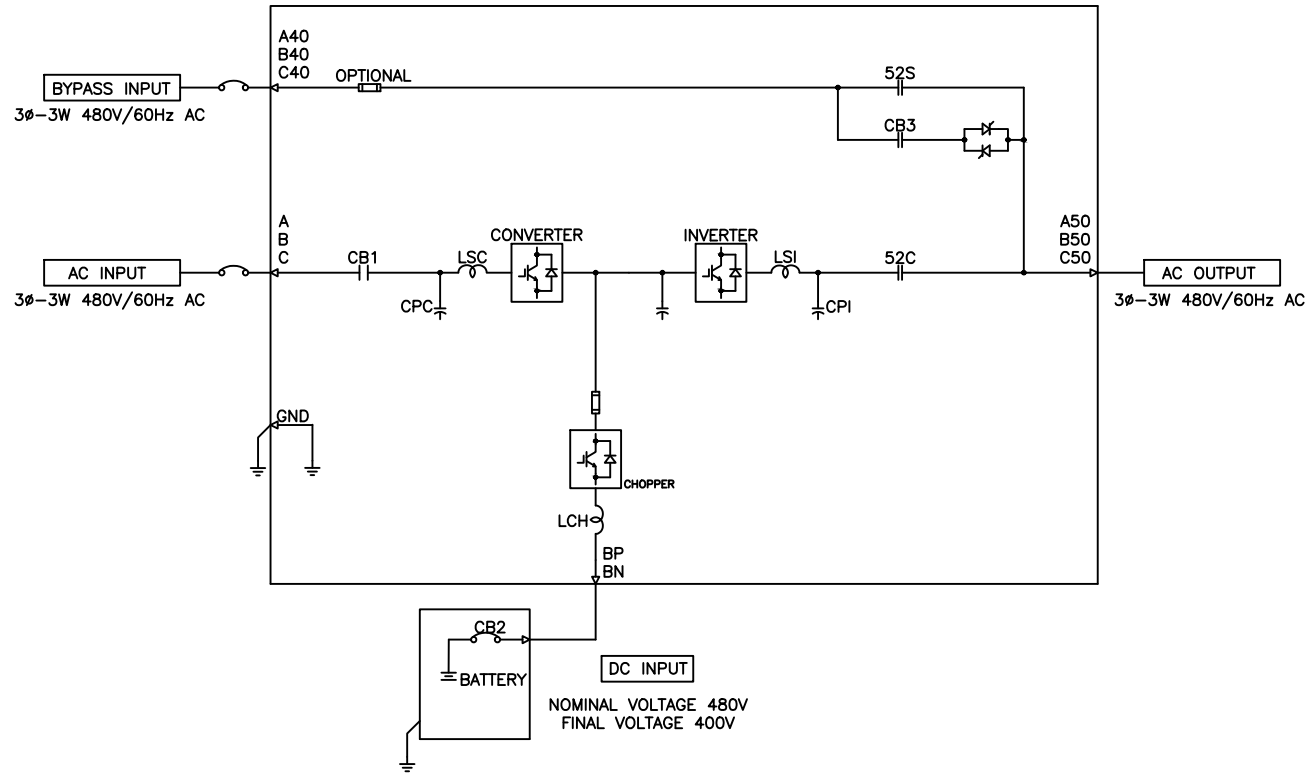
MITSUBISHI ELECTRIC POWER PRODUCTS, INC.
 WARRENDALE, PA.
 TITLE: **9900B 750kVA UPS STANDARD CONFIGURATION**
 SHEET 2 OF 6
10



REVISIONS	DATE	BY	DESCRIPTION
0 RELEASED FOR USE	NRR 6/13/11		
01 ELECTRICAL SCHEMATIC REVISED	JMB 3/12/12		
02 BUS ELEVATIONS REVISED	JMB 5/04/12		
03 GENERAL REVISIONS	NRR 6/27/12		
04 REVISED CONDUIT ENTRY	RJM 7/13/12		
05 REVISED DC GROUND	SPS 12/10/13		
06 REVISED MOUNTING HOLES	RAL 5/7/14		
07 GENERAL TEXT REVISION	NRR 12/30/14		
08 GENERAL TEXT REVISION	GDJ 2/19/15		
09 GENERAL TEXT REVISION	GDJ 7/15/15		

DIM. IN: INCHES	SCALE: NTS	DRAFTER: T.DIEBLE	DATE: 06/03/11
PROPRIETARY THIS DOCUMENT IS PROPERTY OF MITSUBISHI ELECTRIC POWER PRODUCTS INC. AND CONTAINS PROPRIETARY AND CONFIDENTIAL INFORMATION WHICH MUST NOT BE DUPLICATED, USED OR DISCLOSED OTHER THAN AS EXPRESSLY AUTHORIZED BY MITSUBISHI ELECTRIC POWER PRODUCTS INC.		CHECKED: N.RIEMER	DATE: 06/03/11
REF. DWG. No.		ENGINEER: N.RIEMER	DATE: 06/03/11
FILE LOCATION:		APPROVED:	DATE:

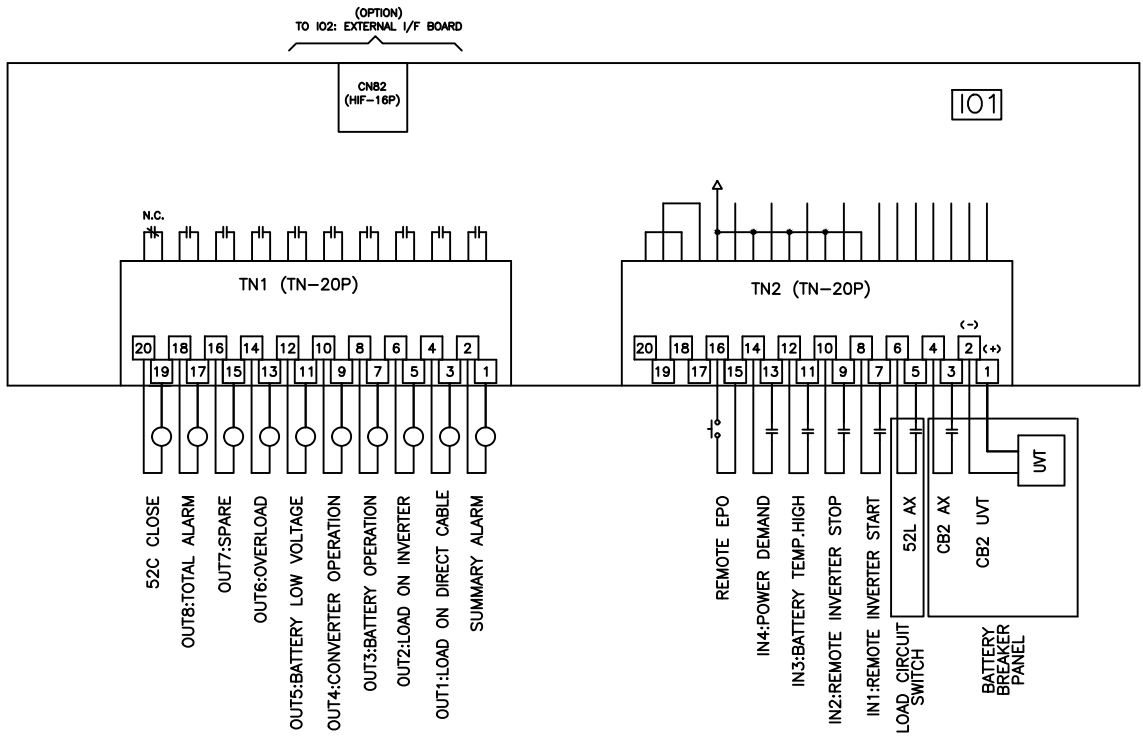
MITSUBISHI ELECTRIC POWER PRODUCTS, INC. WARRENDALE, PA.	
TITLE: 9900B 750kVA UPS STANDARD CONFIGURATION	
SHEET 4 OF 6	REV: 10



750kVA 750kW UPS MODULE

REVISIONS
0 RELEASED FOR USE NRR 6/13/11
01 ELECTRICAL SCHEMATIC REVISED JMB 3/12/12
02 BUS ELEVATIONS REVISED JMB 5/04/12
03 GENERAL REVISIONS NRR 6/27/12
04 REVISED CONDUIT ENTRY RJM 7/13/12
05 REVISED DC GROUND SPS 12/10/13
06 REVISED MOUNTING HOLES RAL 5/7/14
07 GENERAL TEXT REVISION NRR 12/30/14
08 GENERAL TEXT REVISION GDJ 2/19/15
09 GENERAL TEXT REVISION GDJ 7/15/15

DIM. IN: INCHES	SCALE: NTS	DRAFTER: T.DIEBLE	DATE: 06/03/11
<small>PROPRIETARY THIS DOCUMENT IS PROPERTY OF MITSUBISHI ELECTRIC POWER PRODUCTS, INC. AND CONTAINS PROPRIETARY AND CONFIDENTIAL INFORMATION WHICH MUST NOT BE DUPLICATED, USED OR DISCLOSED OTHER THAN AS EXPRESSLY AUTHORIZED BY MITSUBISHI ELECTRIC POWER PRODUCTS, INC.</small>		CHECKED: N.RIEMER	DATE: 06/03/11
		ENGINEER: N.RIEMER	DATE: 06/03/11
REF. DWG. No.	APPROVED:	DATE:	
FILE LOCATION:			
MITSUBISHI ELECTRIC POWER PRODUCTS, INC. WARRENDALE, PA.			TITLE: 9900B 750kVA UPS STANDARD CONFIGURATION
DWG. No. UD-100116			SHEET 5 OF 6 REV: 10



UPS CONNECTION DIAGRAM

REVISIONS
0 RELEASED FOR USE NRR 6/13/11
01 ELECTRICAL SCHEMATIC REVISED JMB 3/12/12
02 BUS ELEVATIONS REVISED JMB 5/04/12
03 GENERAL REVISIONS NRR 6/27/12
04 REVISED CONDUIT ENTRY RJM 7/13/12
05 REVISED DC GROUND SPS 12/10/13
6 REVISED MOUNTING HOLES RAL 5/7/14
7 GENERAL TEXT REVISION NRR 12/30/14
8 GENERAL TEXT REVISION GDJ 2/19/15
9 GENERAL TEXT REVISION GDJ 7/15/15

DIM. IN: INCHES	SCALE: NTS	DRAFTER: T.DIEBLE	DATE: 06/03/11
PROPRIETARY THIS DOCUMENT IS PROPERTY OF MITSUBISHI ELECTRIC POWER PRODUCTS INC. AND CONTAINS PROPRIETARY AND CONFIDENTIAL INFORMATION WHICH MUST NOT BE DUPLICATED, USED OR DISCLOSED OTHER THAN AS EXPRESSLY AUTHORIZED BY MITSUBISHI ELECTRIC POWER PRODUCTS INC.		CHECKED: N.RIEMER	DATE: 06/03/11
		ENGINEER: N.RIEMER	DATE: 06/03/11
REF. DWG. No.	APPROVED:	TITLE: 9900B 750kVA UPS STANDARD CONFIGURATION	
FILE LOCATION:	DWG No. UD-100116		REV: 10

