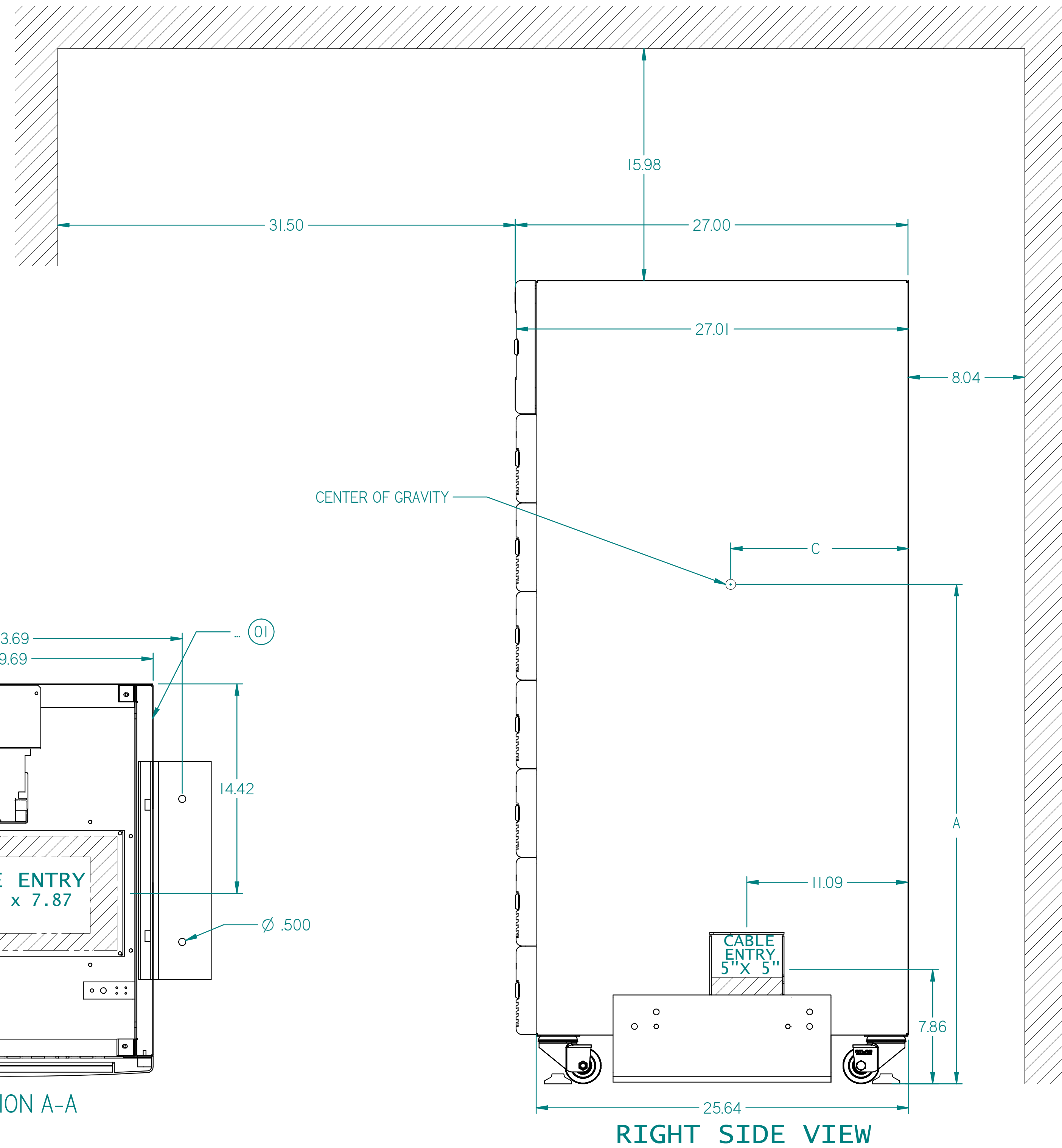
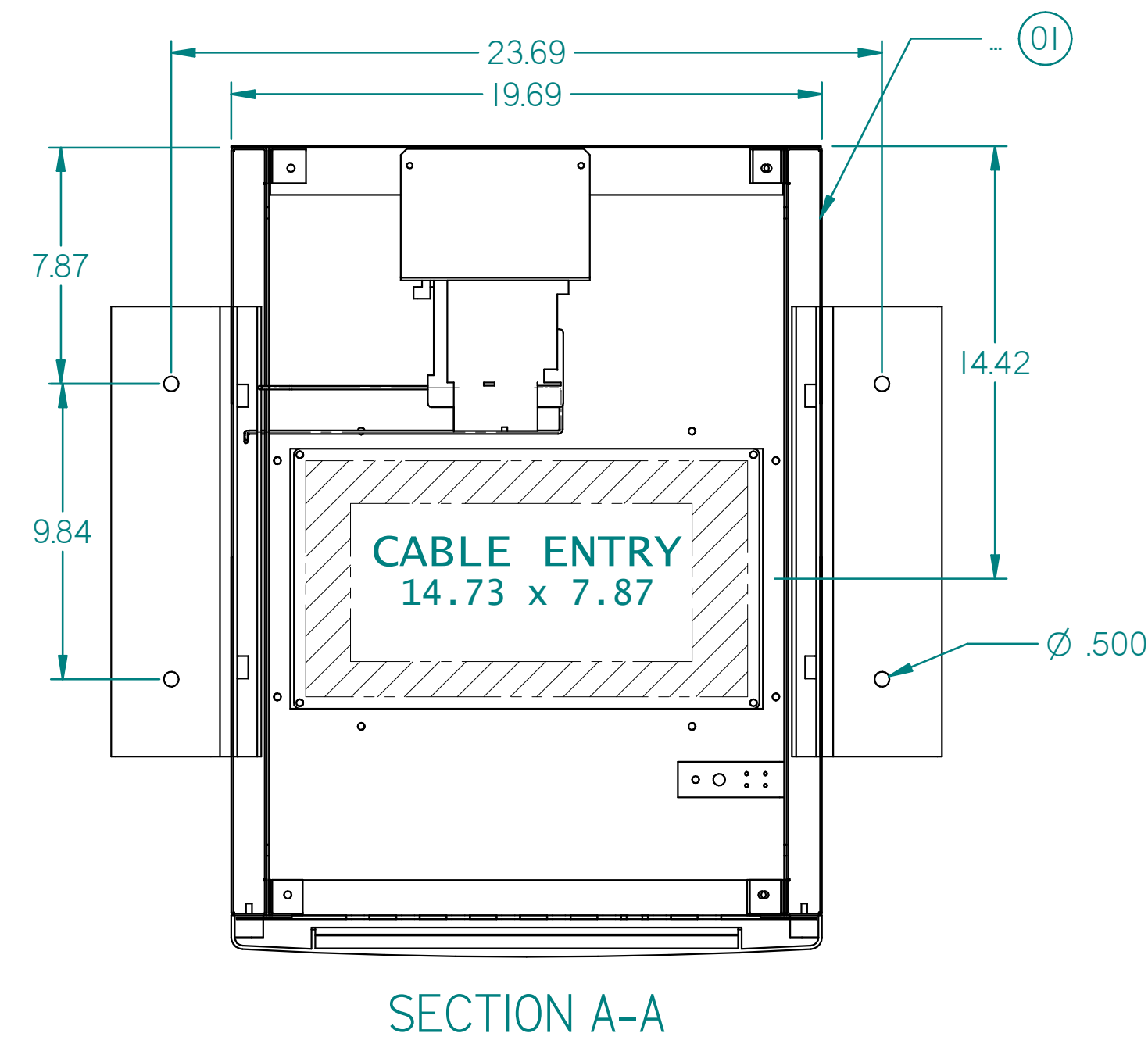
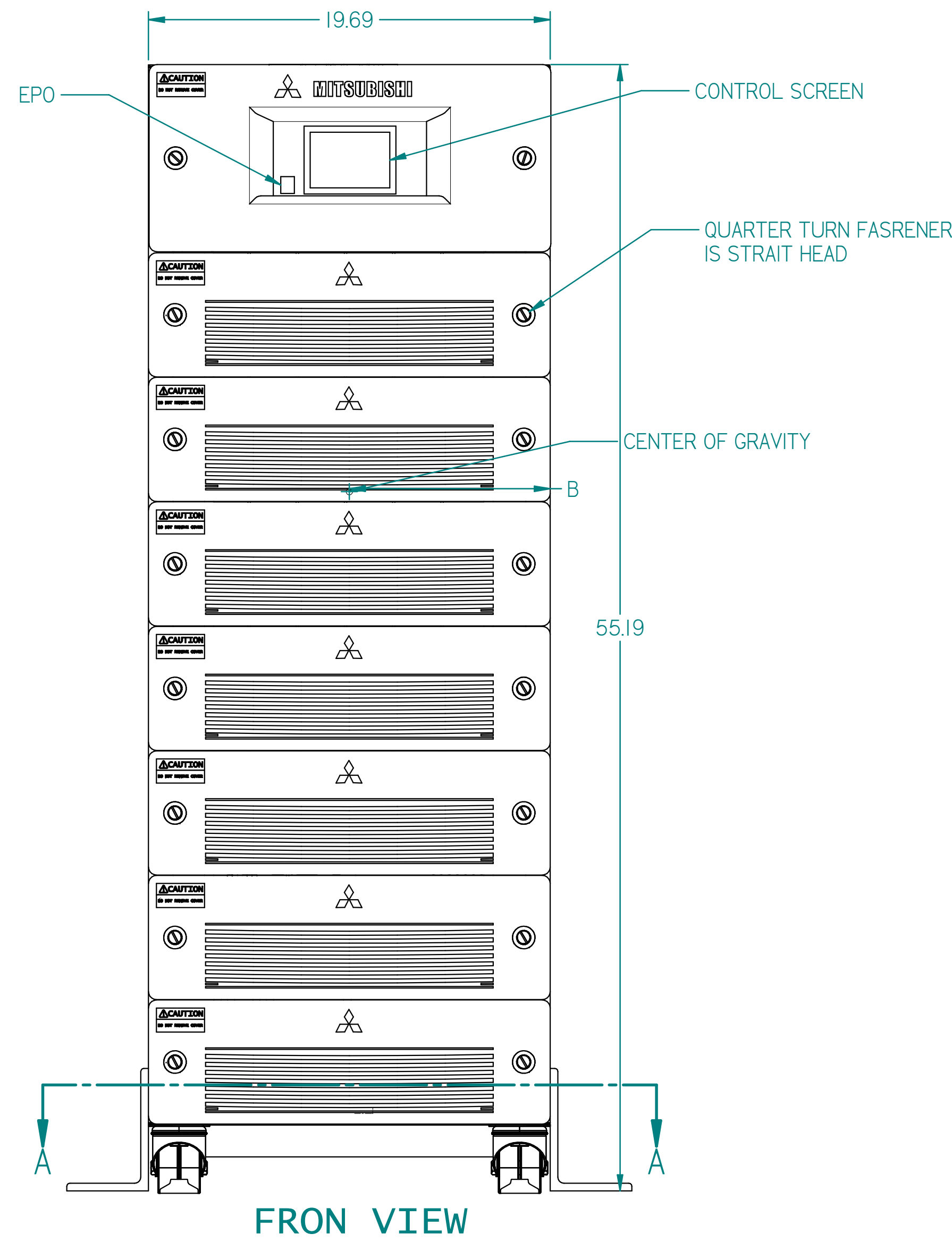


NOTES:

1. DIMENSIONS ARE IN INCHES [mm].
2. OVERALL DIMENSIONS DO NOT INCLUDE SIDE AND REAR PANEL'S BOLT HEADS.
3. CABINETS SHOULD BE MAINTAINED UPRIGHT WITHIN 15° DURING HANDLING.
4. APPROXIMATE WEIGHT:
  - 10kVA 685lbs. WITH INTERNAL BATTERIES
  - 20kVA 730lbs. WITH INTERNAL BATTERIES
  - 30kVA 380lbs.
  - 40kVA 420lbs.
  - 50kVA 465lbs.
5. PHASE ROTATION A, B, C, CLOCKWISE
6. ONE INCH CLEARANCE ON EACH SIDE EXCEPT WHEN SIDECARS ARE USED

CENTER OF GRAVITY DIMENSIONS IN [mm]			
KVA	A	B	C
10*	26.5 [672]	9.8 [250]	12.6 [311]
20*	27.1 [688]	9.8 [250]	12.6 [311]
30	33.3 [845]	9.8 [250]	12.2 [310]
40	32.4 [822]	9.8 [250]	12.2 [310]
50	31.0 [788]	9.8 [250]	12.2 [310]

\*INCLUDES BATTERIES



REVISIONS	NO.	DESCRIPTION
0 - AS BUILT		
1 - GENERAL REVISIONS	EGF 10/13/11	
2 - GENERAL REVISIONS	EGF 12/1/11	
3 - GENERAL REVISIONS	NRR 11/1/12	

DIM. IN	MM [IN]	SCALE	DRAFTER	DATE
			G. JOHNSTON	2/23/12
			CHECKED	DATE
			N. RIEMER	2/23/12
			ENGINEER	DATE
			N. RIEMER	2/23/12
			APPROVED	DATE
			N. RIEMER	2/23/12

REF DWG. NO. FILE LOCATION:

**MITSUBISHI ELECTRIC POWER PRODUCTS, INC.**  
 WARRENDALE, PA.  
**TITLE 1100 SERIES UPS 10-50 KVA OUTLINE**  
 DWG. NO. UD-100101 SHEET 1 OF 2 REV. 3

