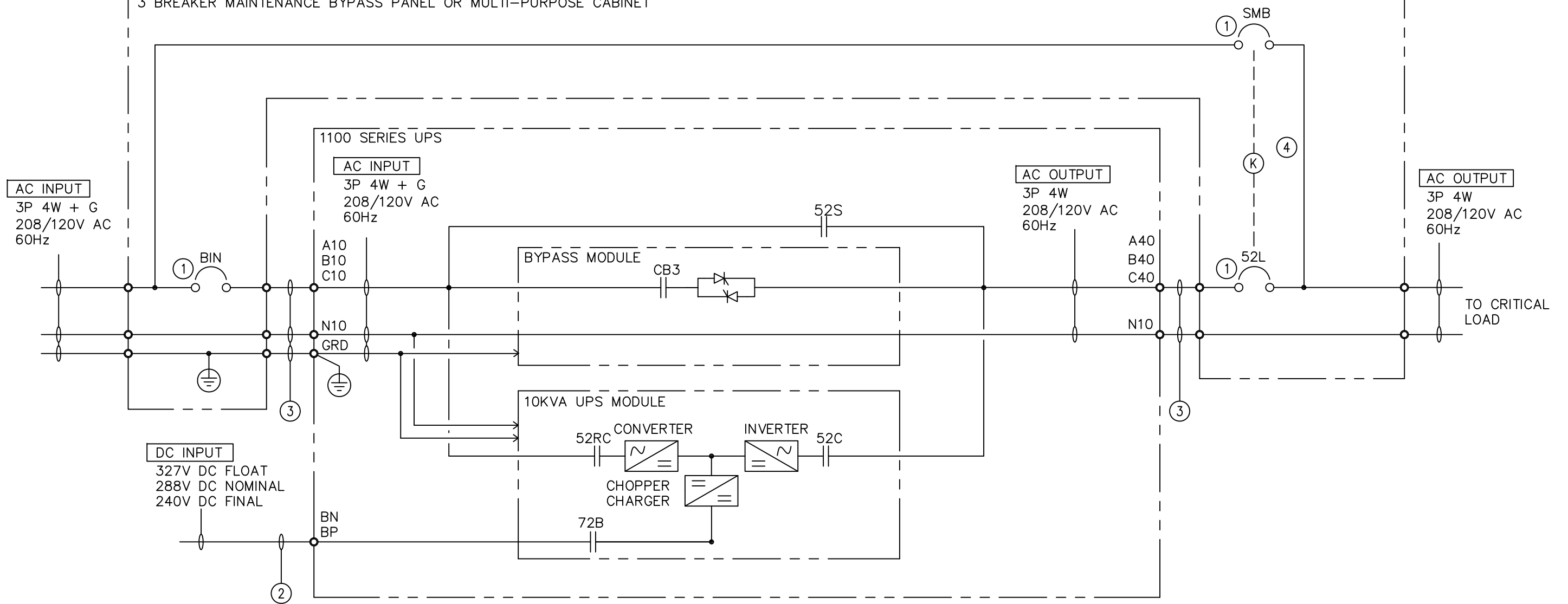


# 1100 SERIES UPS 3 BREAKER WITH MAINTENANCE BYPASS PANEL

3 BREAKER MAINTENANCE BYPASS PANEL OR MULTI-PURPOSE CABINET



**NOTES:**

- ① THIS IS A MODULAR UPS SYSTEM ALLOWING THE UPS KVA RANGE TO BE INCREASED FROM 10KVA TO 50KVA IN 10KVA INCREMENTS. THE END-USER IS RESPONSIBLE FOR SIZING ALL ASSOCIATED APPURTENANCES BASED ON PROJECTED LOAD AND ALL APPLICABLE STATE, LOCAL & FEDERAL CODES.
- ② DC CABLE KITS ARE AVAILABLE THROUGH MEPPi, IF THE BATTERY CABINET IS ADJACENT TO THE UPS.
- ③ AC CABLE KITS ARE AVAILABLE THROUGH MEPPi, IF THE MULTI-PURPOSE CABINET IS ADJACENT TO THE UPS. CABLE KITS ARE NOT AVAILABLE FOR WALL MOUNTED MAINTENANCE BYPASS PANELS.

④ OPTIONAL SKRU/SKPM.

REVISIONS	ADDED NOTES	NOTES & DESCRIPTIONS UPDATED	GENERAL REVISION
01.	G. JOHNSTON 11/08/2011		
02.		G. JOHNSTON 11/30/2011	
03.			G. JOHNSTON 05/30/2012

DIM. IN: INCHES	SCALE: NTS	DRAFTER: M. MEINERT	DATE: 09/29/11	<p><b>MITSUBISHI ELECTRIC POWER PRODUCTS, INC.</b> WARRENDALE, PA.</p> <p>TITLE: <b>1100 SERIES UPS MULTI-PURPOSE CABINET SCHEMATIC</b></p> <p>REF. DWG. No. _____</p> <p>FILE LOCATION: _____</p>
<small>PROPRIETARY</small> <small>THIS DOCUMENT IS PROPERTY OF MITSUBISHI ELECTRIC POWER PRODUCTS INC. AND CONTAINS PROPRIETARY AND CONFIDENTIAL INFORMATION WHICH MUST NOT BE DUPLICATED, USED OR DISCLOSED OTHER THAN AS EXPRESSLY AUTHORIZED BY MITSUBISHI ELECTRIC POWER PRODUCTS, INC.</small>		CHECKED: M. BALMER	DATE: 09/29/11	
		ENGINEER: M. MEINERT	DATE: 09/29/11	
		APPROVED: K. BEAMER	DATE: 10/31/11	
SHEET 1 OF 1			REV: 3	DWG No. UD-100170