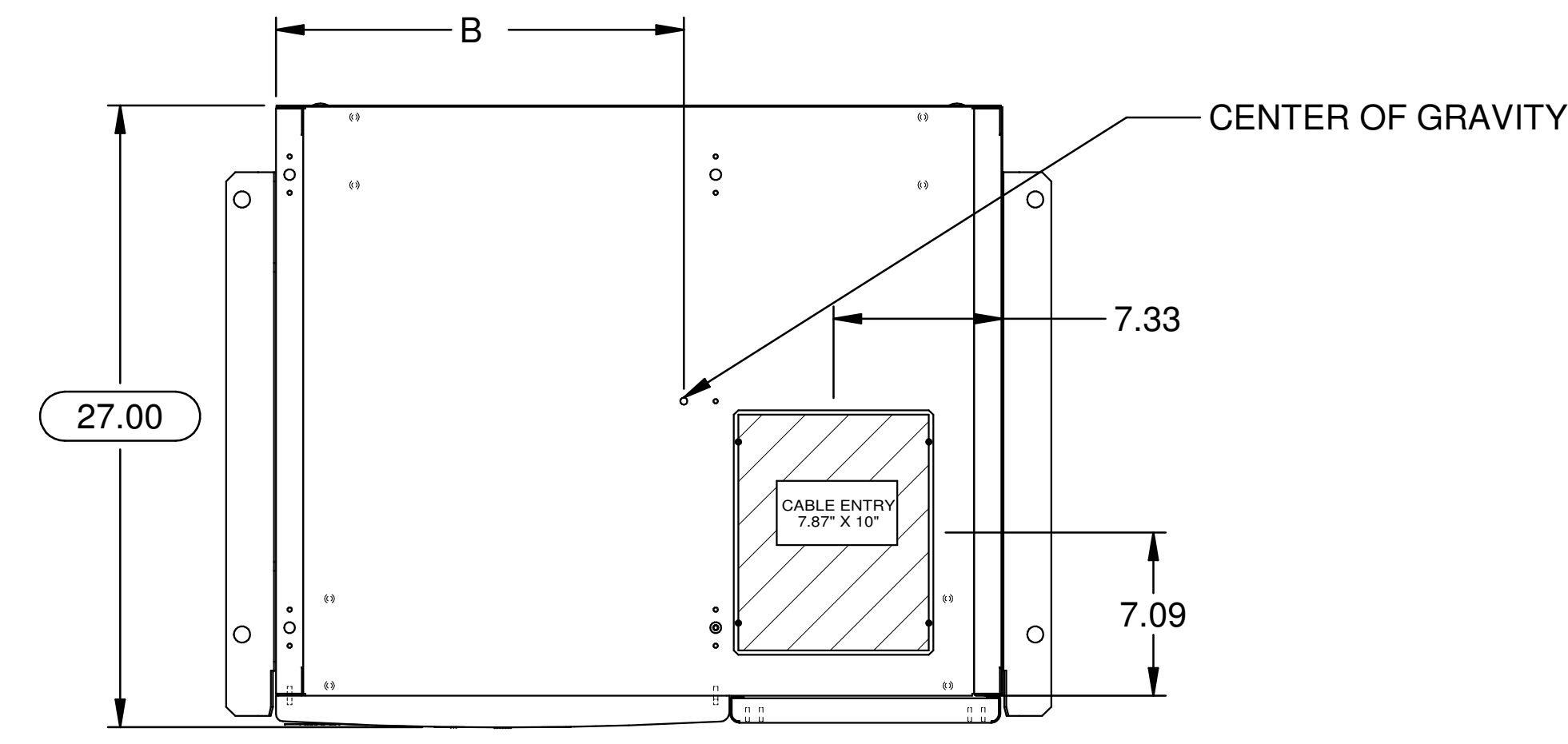
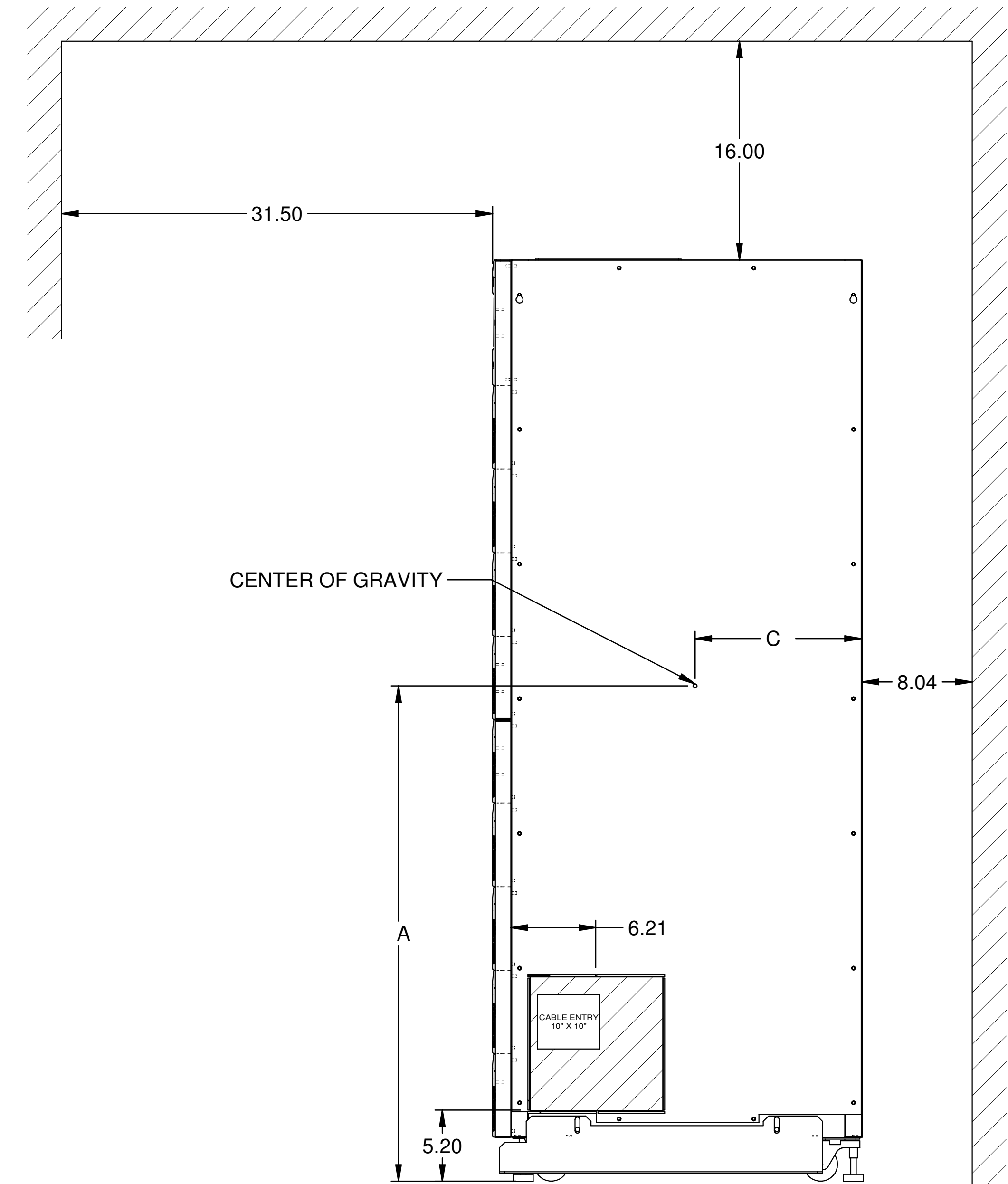


CENTER OF GRAVITY DIMENSIONS IN			
KVA	A	B	C
50	38.5	14.5	13.4
60	37.6	14.2	13.4
70	36.5	13.9	13.4
80	35.2	13.7	13.4

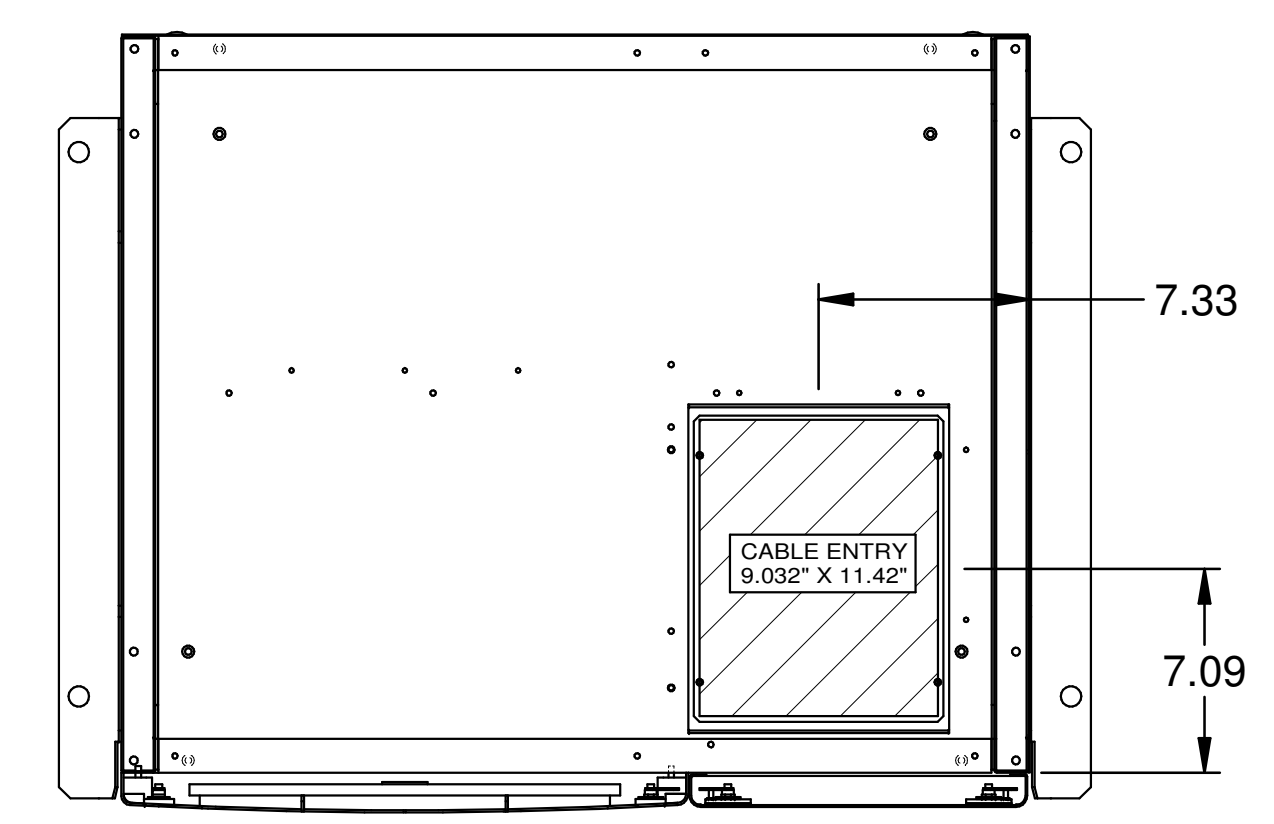
- NOTES:
1. DIMENSIONS ARE IN INCHES [mm].
 2. OVERALL DIMENSIONS DO NOT INCLUDE SIDE AND REAR PANEL BOLT HEADS.
 3. CABINETS SHOULD BE MAINTAINED UPRIGHT WITHIN 15 DEGREES DURING HANDLING.
 4. APPROXIMATE WEIGHT:
 50kVA 675 LBS.
 60kVA 719 LBS.
 70kVA 763 LBS.
 80 kVA 807 LBS.
 5. PHASE ROTATION A, B, C, CLOCKWISE
 6. ONE INCH MINIMUM CLEARANCE ON EACH SIDE EXCEPT WHEN SIDECARS ARE USED
 7. REFERENCE UD-100551 FOR UPS ELECTRICAL SCHEMATIC



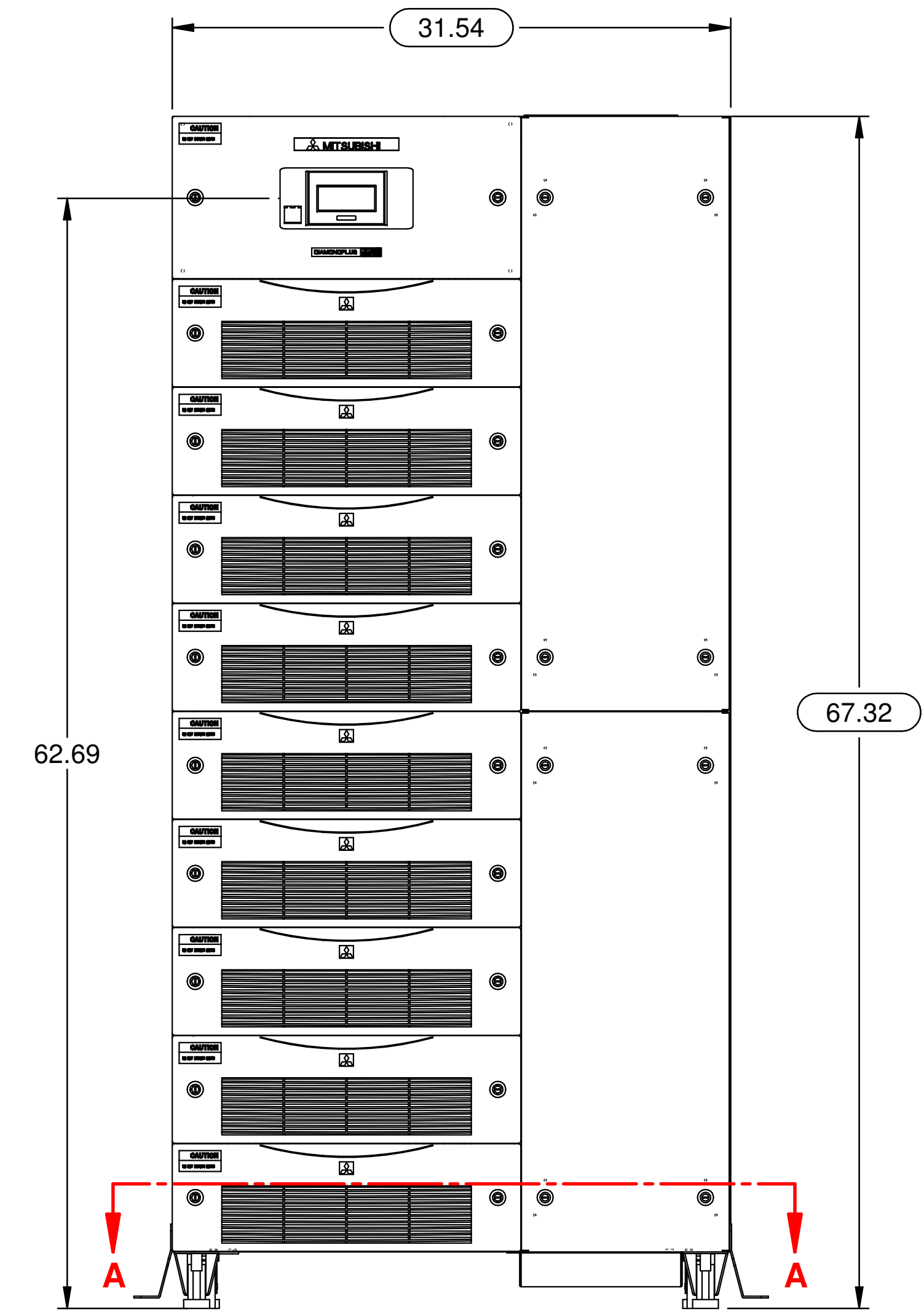
TOP VIEW



RIGHT SIDE VIEW



SECTION A-A



FRONT VIEW

STANDARD 1100B UPS CONFIGURATION

REVISIONS
0 INITIAL RELEASE GDJ 2/23/12
1 MINOR REVISIONS EGF 03/18/13
2 SHOW DETAIL OF NEMA 2 HOLE CONNECTION GDJ 06/18/13
3. ADDED SEISMIC BRACKET SHEET Z.ZAJAC 8/24/17

FABRICATION TOLERANCE	
NOMINAL SIZE	TOLERANCE
ANGLES	±0.01°
HOLE TO MATERIAL EDGE	±0.01
HOLE TO FORMED EDGE	±0.01
HOLE TO HOLE	±0.005
FORMED EDGE TO FORMED EDGE	±0.01
FORMED EDGE TO WELDED EDGE < 48.0	±0.03
FORMED EDGE TO WELDED EDGE > 48.0	±0.06
PANEL DISTORTION OVER 48.0in	0.03 MAX

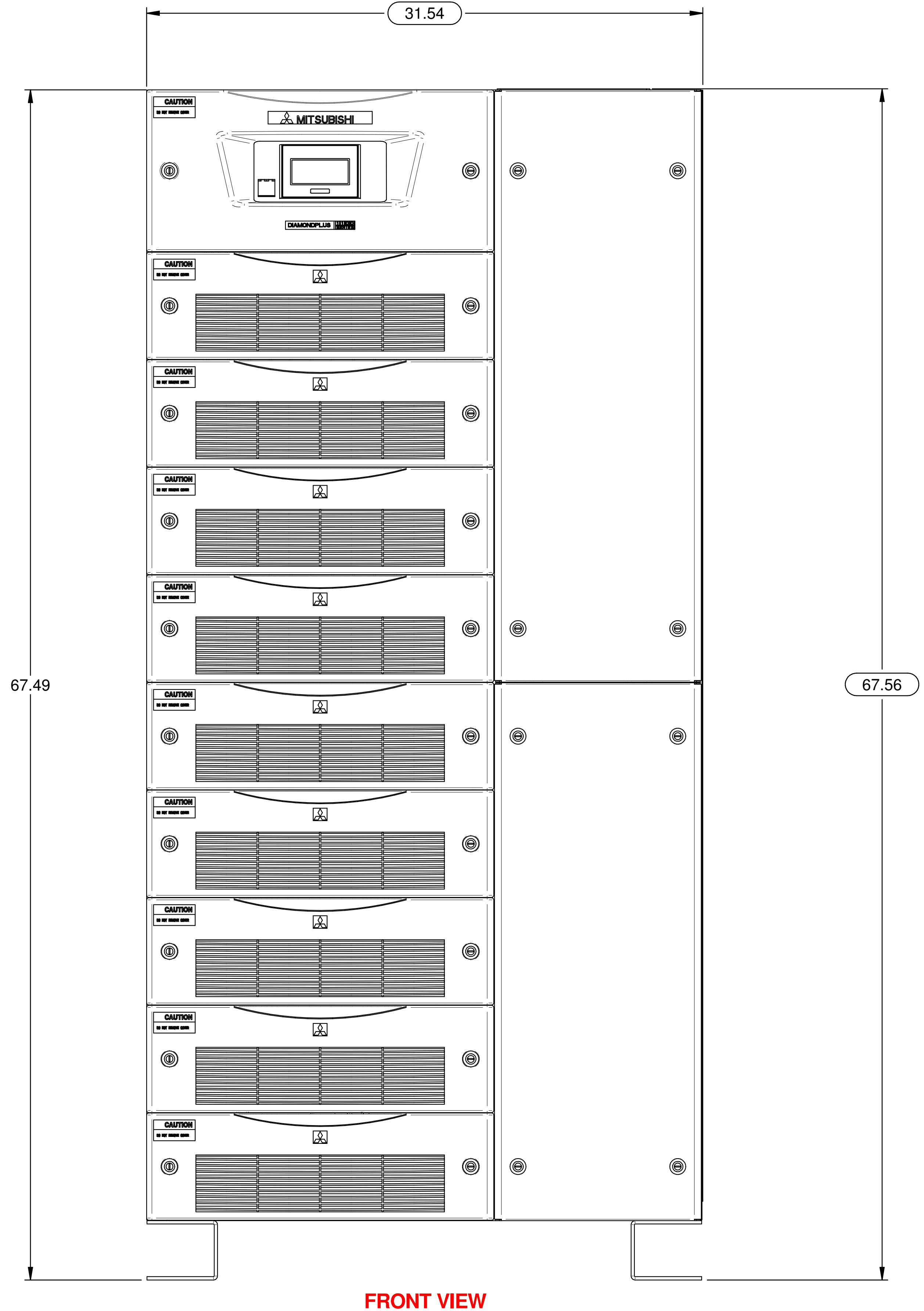
DIMENSIONS IN:	SCALE
IN [MM] (REP)	- NTS -
PROPRIETARY This document is the property of Mitsubishi Electric Power Products, Inc. and contains proprietary and confidential information which must not be duplicated, used or disclosed other than as expressly authorized by Mitsubishi Electric Power Products, Inc.	

DRAFTER	DATE
G. JOHNSON	2/23/12
APPROVED	DATE
N. RIEMER	2/23/12

MITSUBISHI ELECTRIC

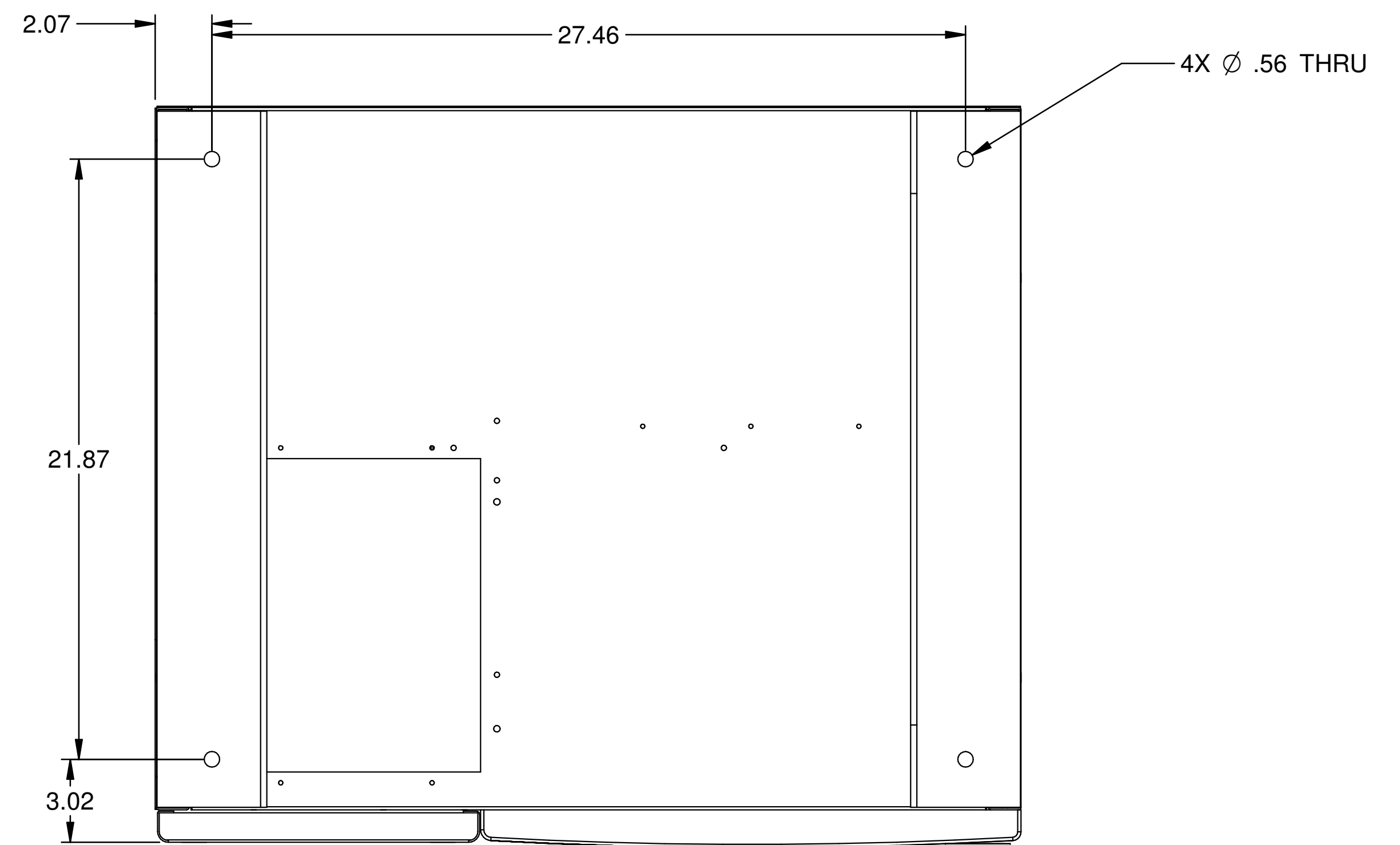
TITLE 1100B SERIES UPS 10-80KVA OUTLINE

DWG. NO. UD-100175 SHEET 1 OF 3 REV. 3



FRONT VIEW

NOTES:
1. REFERENCE UD-100382 FOR SEISMIC BRACKET INSTALLATION



BOTTOM VIEW

OPTIONAL SEISMIC BRACKET MOUNTING DETAIL

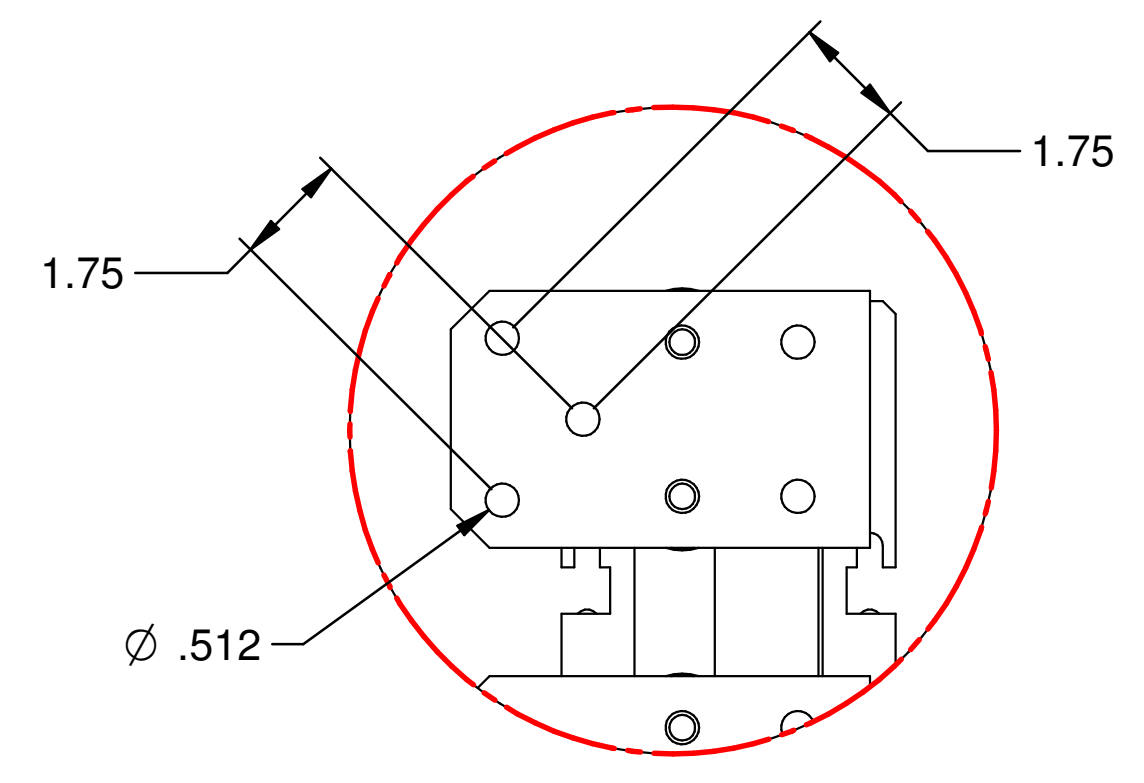
REVISIONS
0 INITIAL RELEASE GDJ 2/23/12
1 MINOR REVISIONS EGF 03/18/13
2 SHOW DETAIL OF NEMA 2 HOLE CONNECTION GDJ 06/18/13
3. ADDED SEISMIC BRACKET SHEET Z.ZAJAC 8/24/17

FABRICATION TOLERANCE	
NOMINAL SIZE	TOLERANCE
ANGLES	±0.01°
HOLE TO MATERIAL EDGE	±0.01
HOLE TO FORMED EDGE	±0.01
HOLE TO HOLE	±0.005
FORMED EDGE TO FORMED EDGE	±0.01
FORMED EDGE TO WELDED EDGE < 48.0	±0.03
FORMED EDGE TO WELDED EDGE > 48.0	±0.06
PANEL DISTORTION OVER 48.0in	0.03 MAX

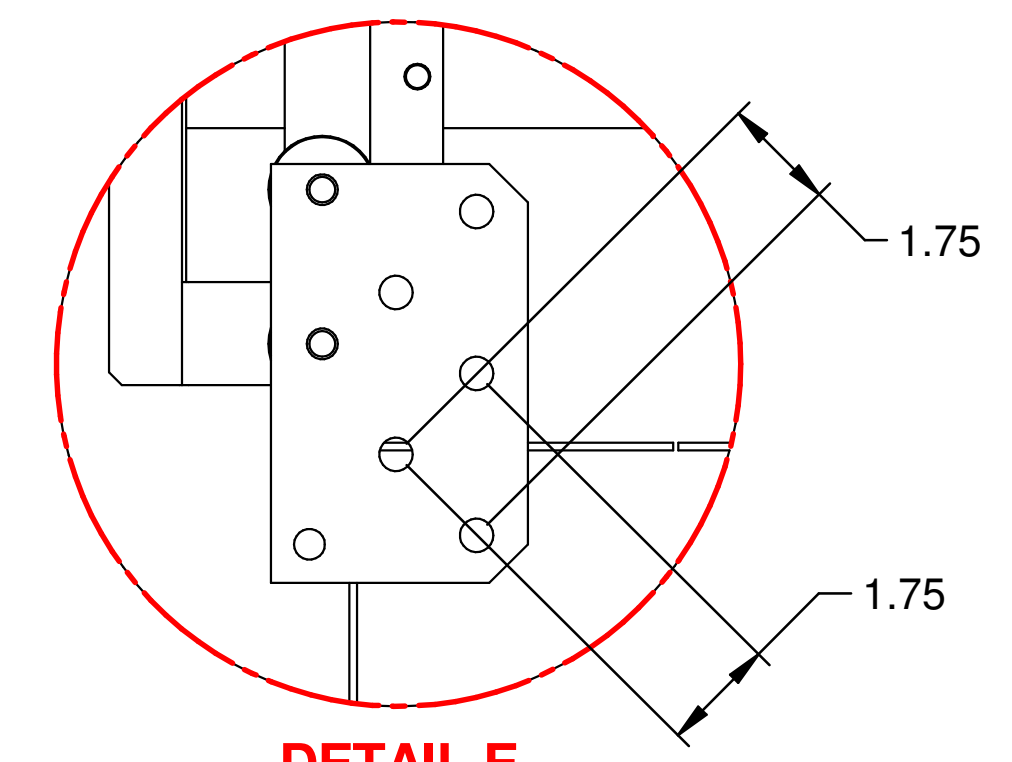
DIMENSIONS IN:	SCALE
IN [MM] (REP)	
PROPRIETARY	
This document is the property of Mitsubishi Electric Power Products, Inc. and contains proprietary and confidential information which must not be duplicated, used or disclosed other than as expressly authorized by Mitsubishi Electric Power Products, Inc.	

DRAFTER	DATE
G. JOHNSON	2/23/12
APPROVED	DATE
N. RIEMER	2/23/12

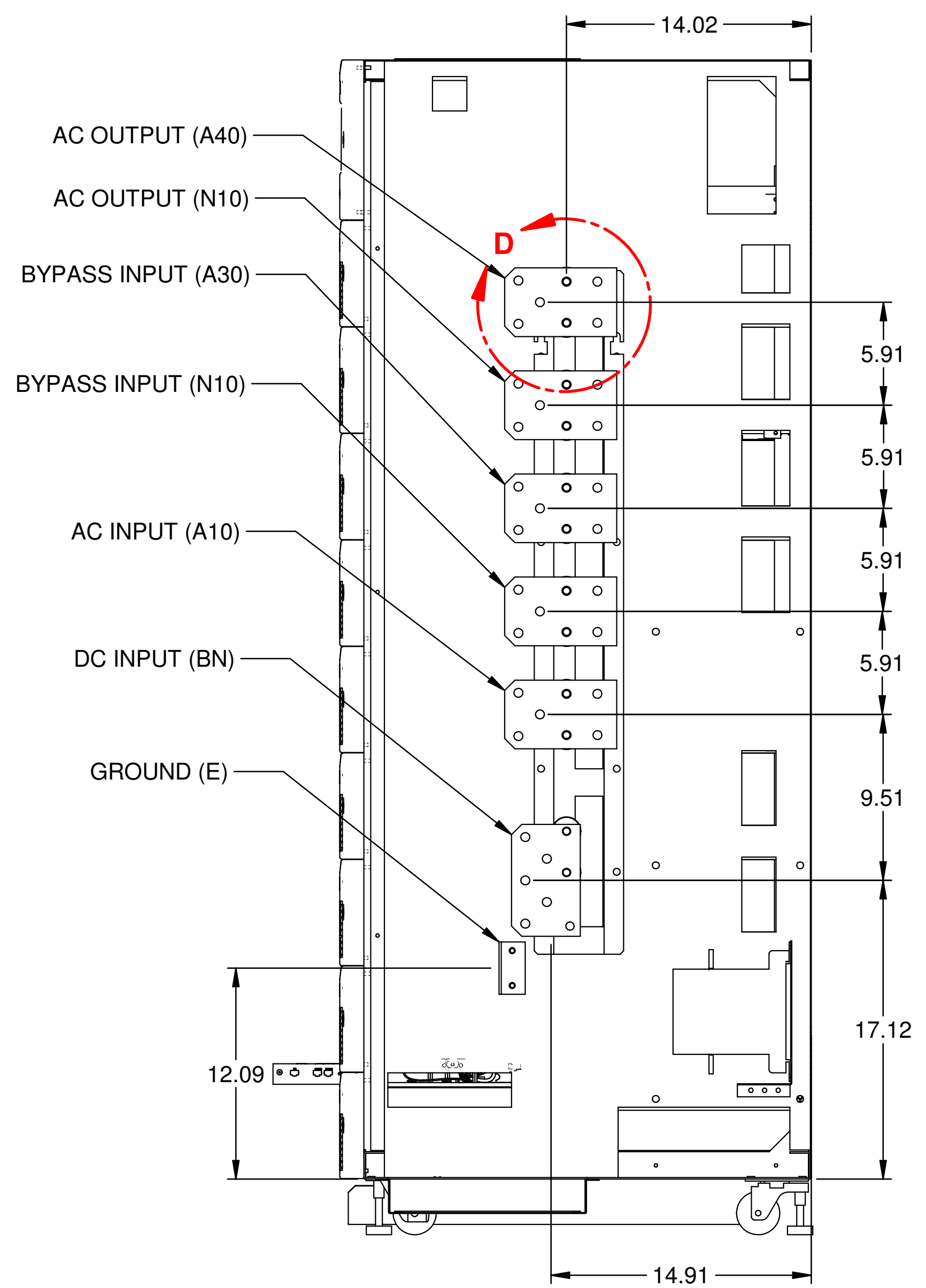
<p>MITSUBISHI ELECTRIC</p>	TITLE	1100B SERIES UPS 10-80KVA OUTLINE
	DWG. NO.	UD-100175
	SHEET 2 OF 3	REV. 3



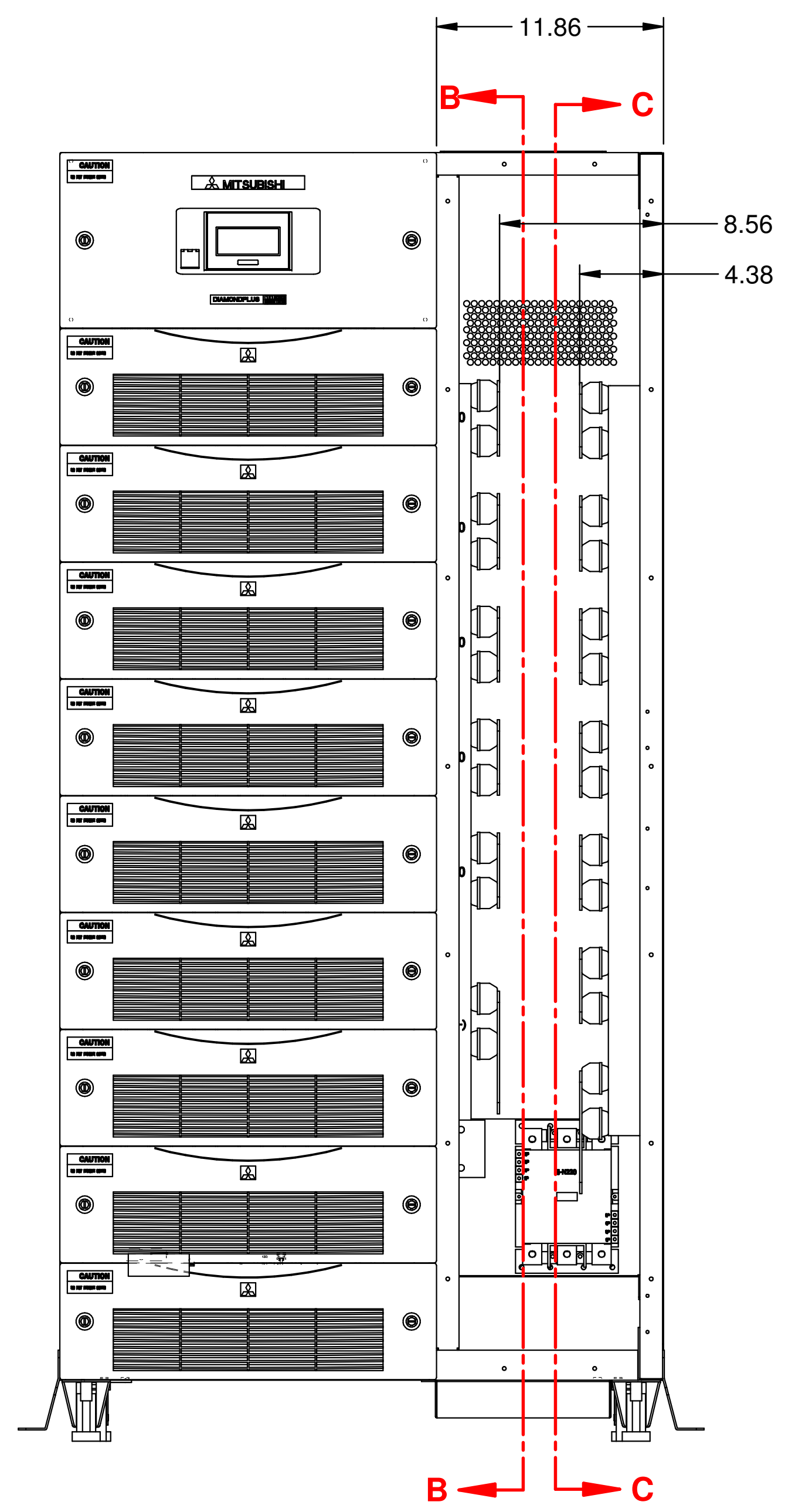
DETAIL D
NEMA 2 HOLE LUG CONNECTION



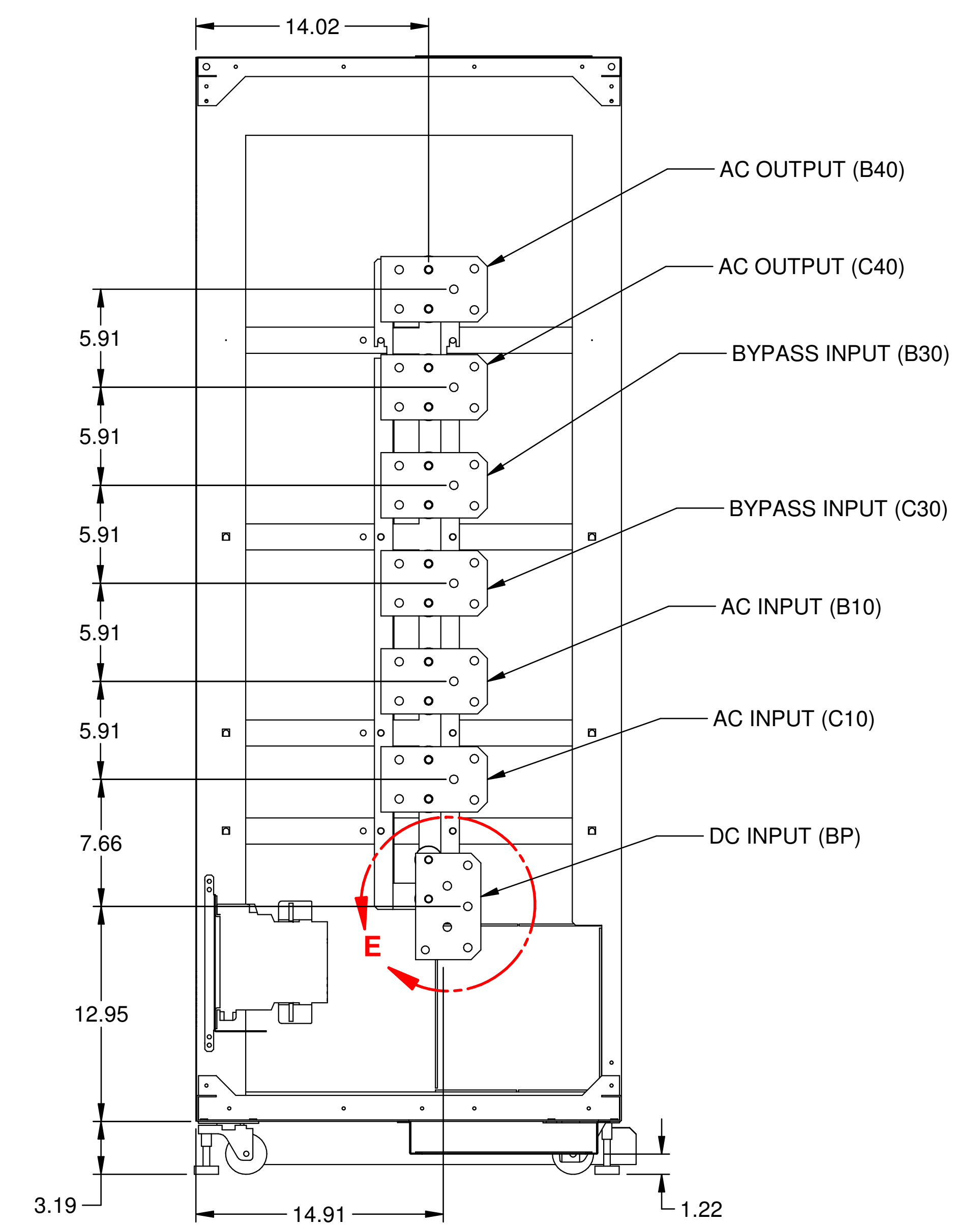
DETAIL E



SECTION B-B



UPS CONNECTION DETAIL



SECTION C-C

REVISIONS
0 INITIAL RELEASE GDJ 2/23/12
1 MINOR REVISIONS EGF 03/18/13
2 SHOW DETAIL OF NEMA 2 HOLE CONNECTION GDJ 06/18/13
3. ADDED SEISMIC BRACKET SHEET Z.ZAJAC 8/24/17

FABRICATION TOLERANCE	
NOMINAL SIZE	TOLERANCE
ANGLES	±0.01°
HOLE TO MATERIAL EDGE	±0.01
HOLE TO FORMED EDGE	±0.01
HOLE TO HOLE	±0.005
FORMED EDGE TO FORMED EDGE	±0.01
FORMED EDGE TO WELDED EDGE < 48.0	±0.03
FORMED EDGE TO WELDED EDGE > 48.0	±0.06
PANEL DISTORTION OVER 48.0in	0.03 MAX

DIMENSIONS IN:		SCALE
IN [MM]	(REP)	
PROPRIETARY This document is the property of Mitsubishi Electric Power Products, Inc. and contains proprietary and confidential information which must not be duplicated, used or disclosed other than as expressly authorized by Mitsubishi Electric Power Products, Inc.		

DRAFTER G. JOHNSON	DATE 2/23/12
APPROVED N. RIEMER	DATE 2/23/12
CORE (REFERENCE) DRAWING If there is a core drawing insert that here	

	MITSUBISHI ELECTRIC
	TITLE 1100B SERIES UPS 10-80KVA OUTLINE
DWG. NO. UD-100175	SHEET 3 OF 3
REV. 3	