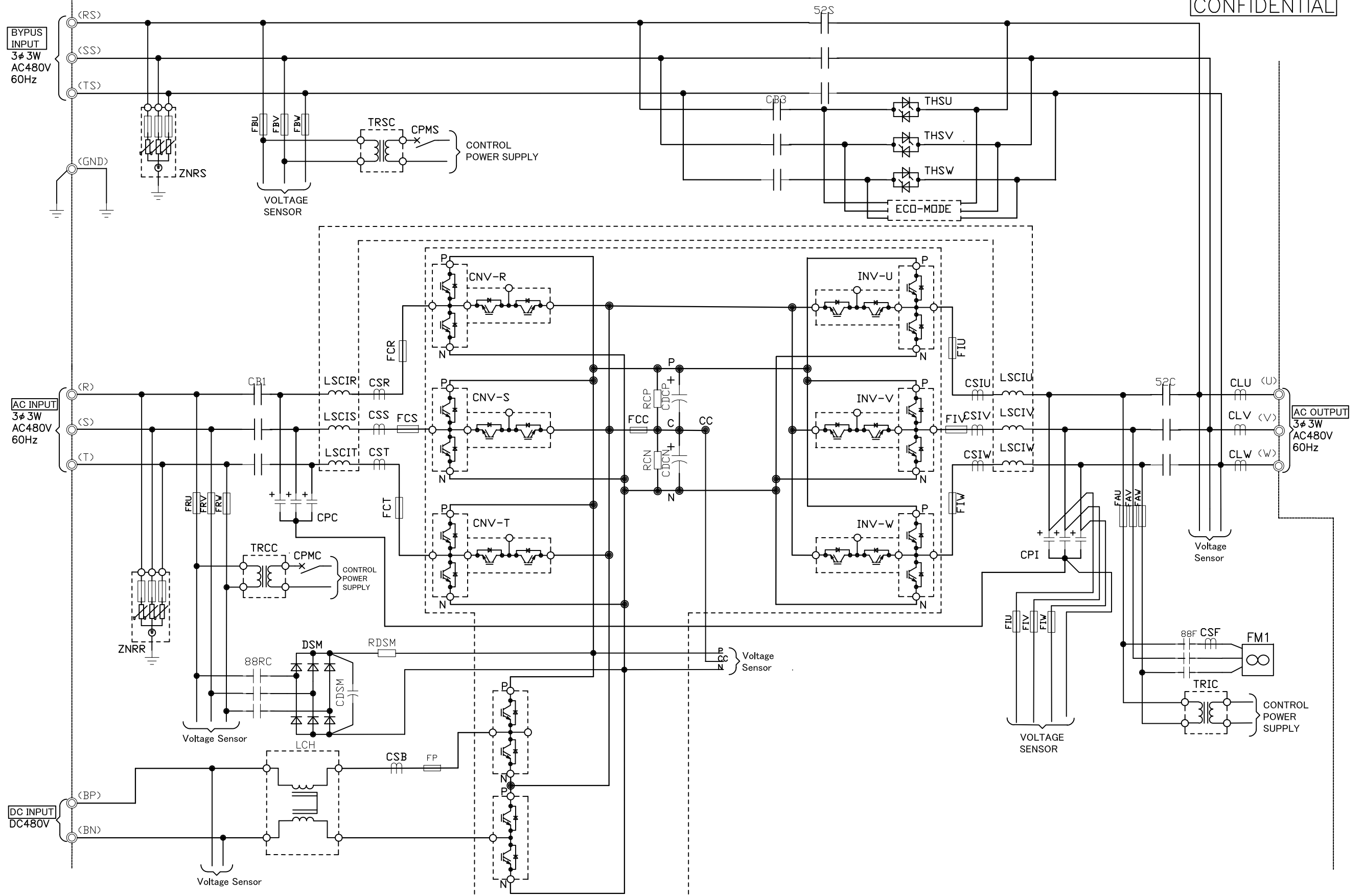


図番 3DAA4390

記録

M-L-2

CONFIDENTIAL



三角画法
尺度 SCALE

出図先

UG設

控

計

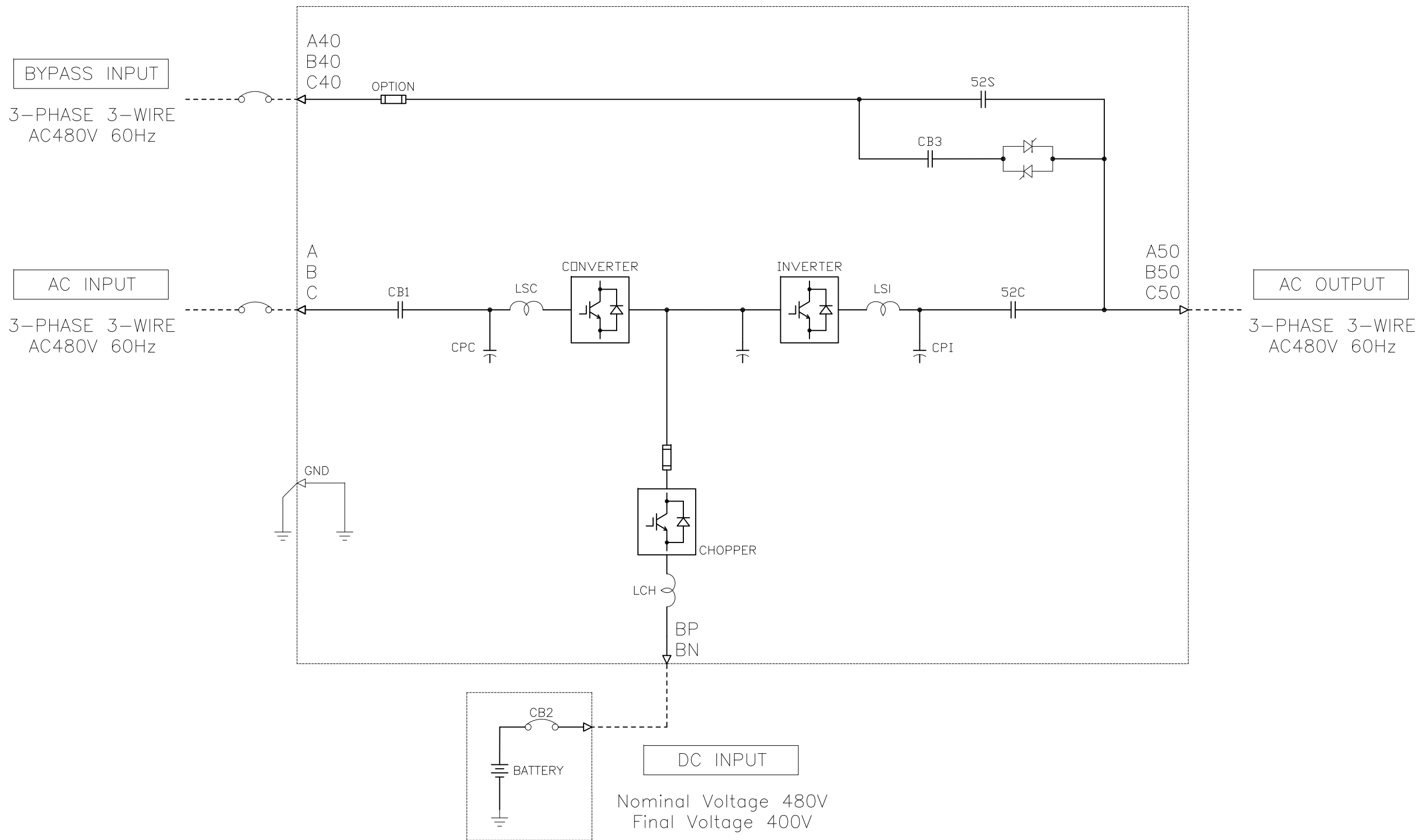
		TITLE	SHEETNo.
		SYSTEM CONFIGURATION	E01
作成日付 DATE	FEB.23.2015	DWG.No.	BOARDNo.
作成・照査 DRAWN	M.Ohno・M.Toyoda	3DAA4390	PAGENO.
設計・検認 APPROVED	M.Ohno・H.Nagano		002/006

図番 3DAA4390

記録

M-L-2

80kVA 72kW UPS



三角画法
尺度 SCALE

出図先

UG設

控

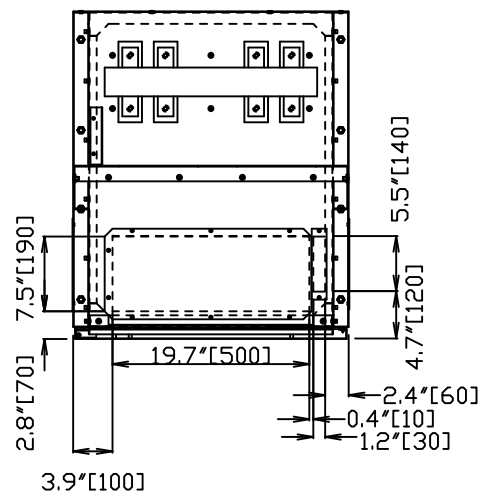
計

DC INPUT
Nominal Voltage 480V
Final Voltage 400V

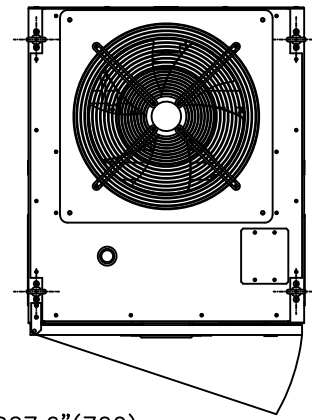


作成日付 DATE FEB.23.2015
作成・照査 DRAWN M.Ohno · M.Toyoda
設計・検認 APPROVED M.Ohno · H.Nagano

TITLE
SINGLE LINE DIAGRAM
DWG.No. 3DAA4390
SHEETNo. E02
BOARDNo.
PAGENo. 003/006



A-A

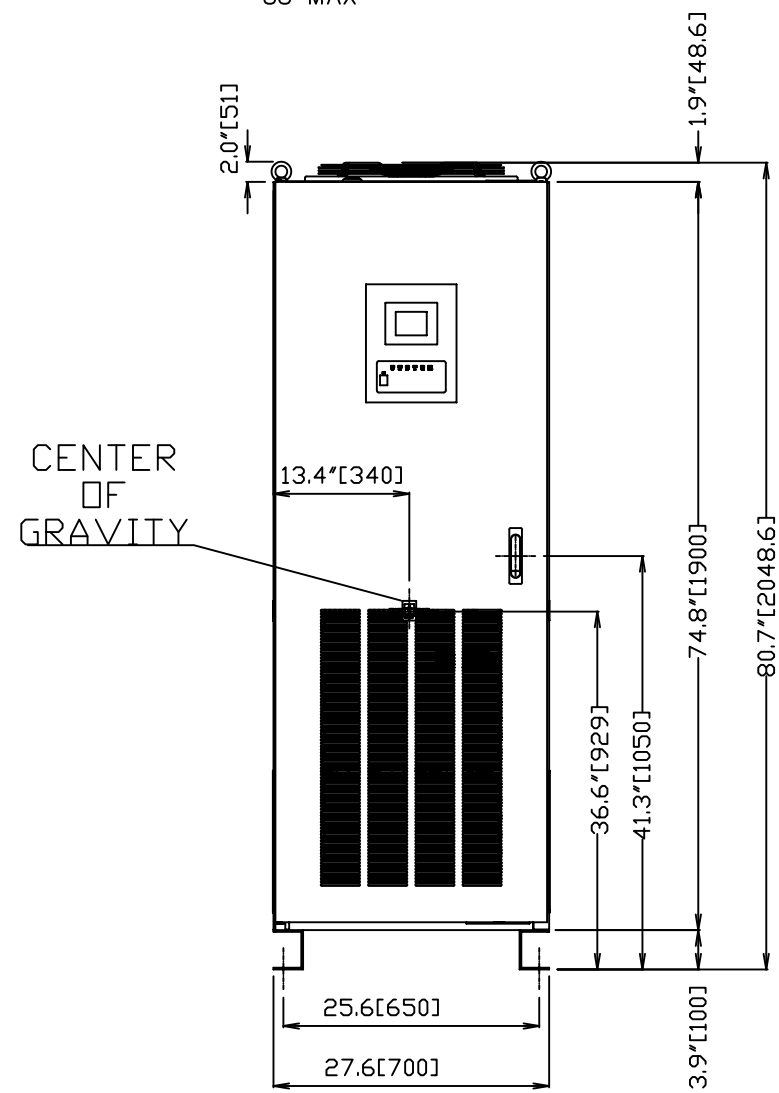


R27.6"(700)
DOOR SWING
88° MAX

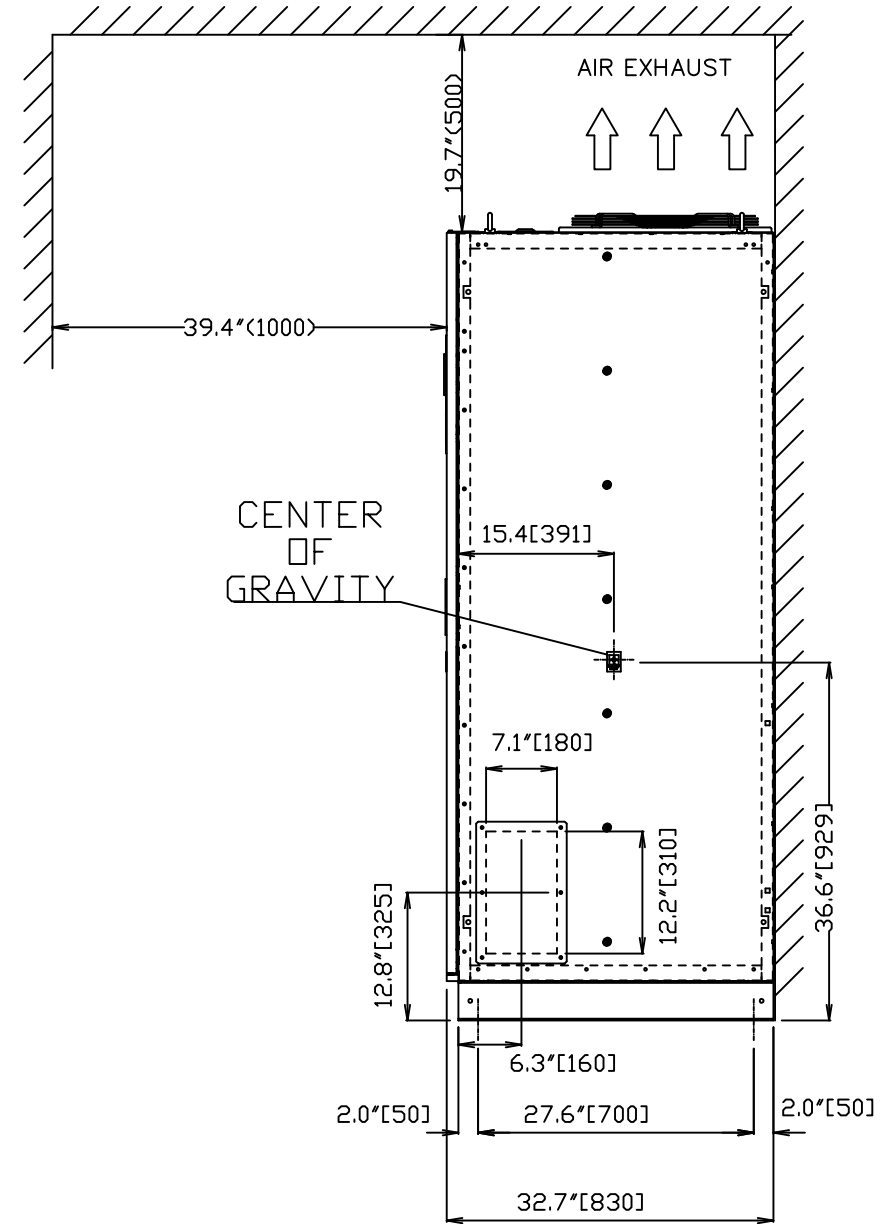
NOTES

- 1.DIMENSIONS ARE SHOWN IN INCHES (MILLIMETERS).
- 2.SIDE SPACE ' 1"(25) ' IS NOT REQUIRED WHEN SIDECARS ARE USED.
- 3.CABINET SHOULD BE MAINTAINED UPRIGHT WITHIN ±15° DURING HANDLING.
- 4.APPROXIMATE WEIGHTS

80KVA : 771lbs (350kg)



CENTER OF GRAVITY



AIR EXHAUST

CENTER OF GRAVITY

三角画法
尺度 SCALE

出図先

UG設

控

計

			TITLE	SHEETNo.
			OUT LINE-1	J01
		作成日付 DATE	FEB.23 .2015	BOARDNo.
		作成・照査 DRAWN	M.Ohno · M.Toyoda	PAGENo.
		設計・検認 APPROVED	M.Ohno · H.Nagano	004/006
B	2015.05.15	M. Ohno	DWG.No. 3DAA4390	

図番 3DAA4390

記録

M-L-2

A

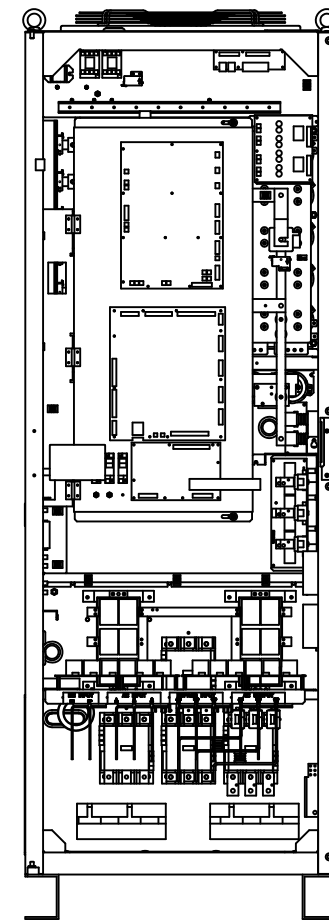
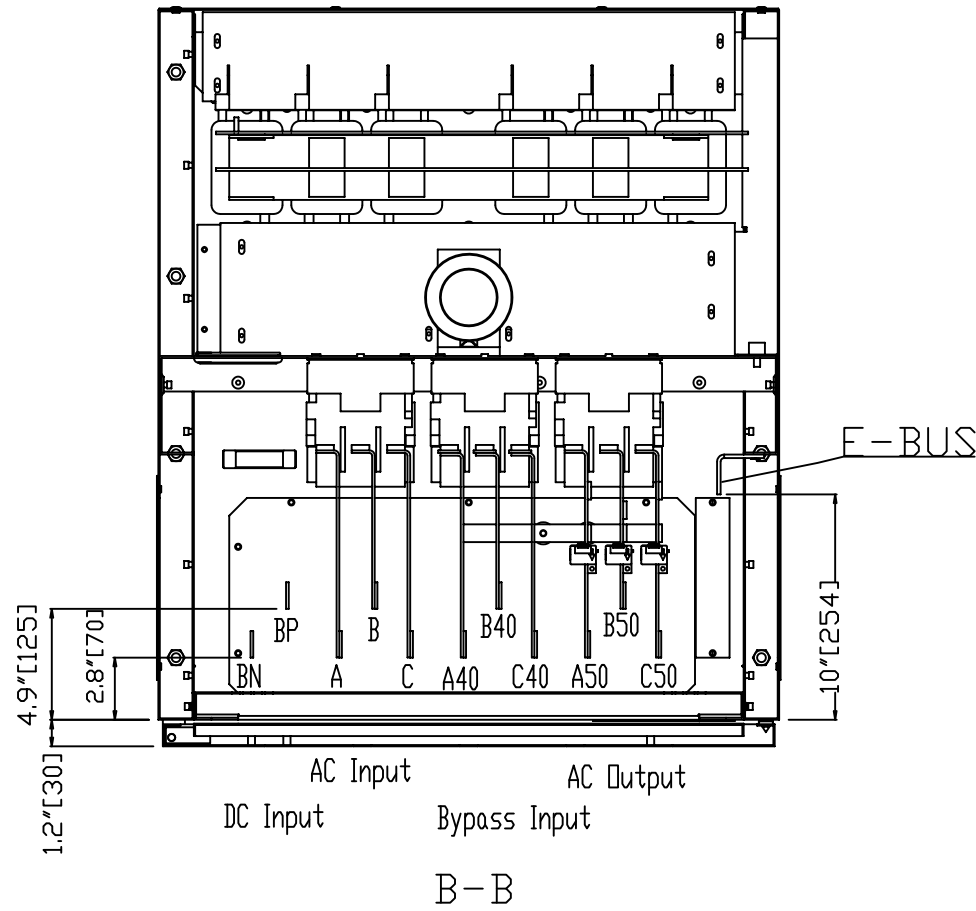
B

C

D

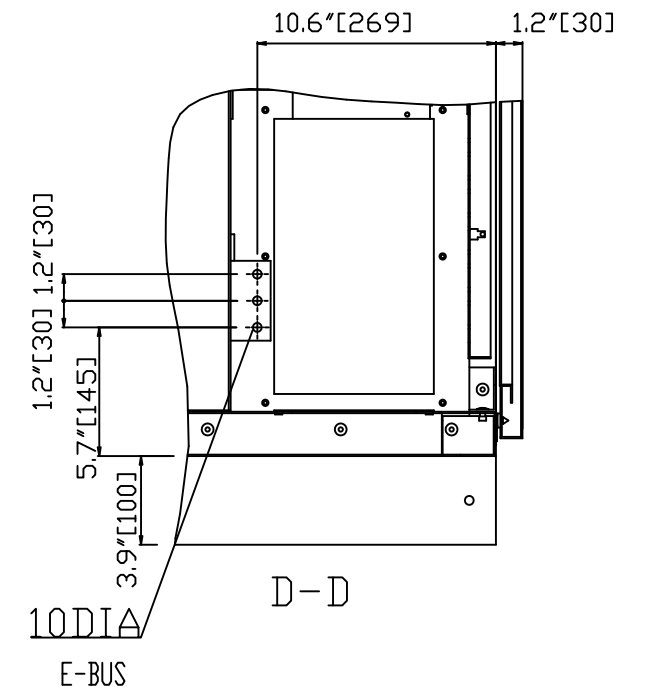
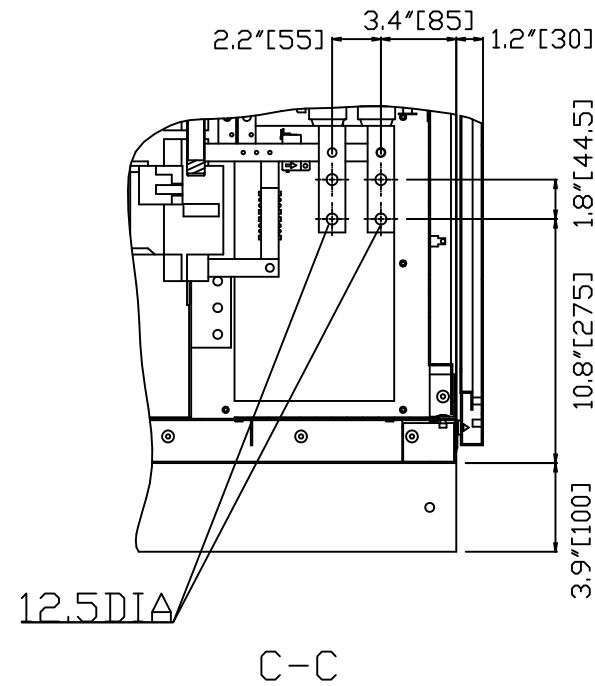
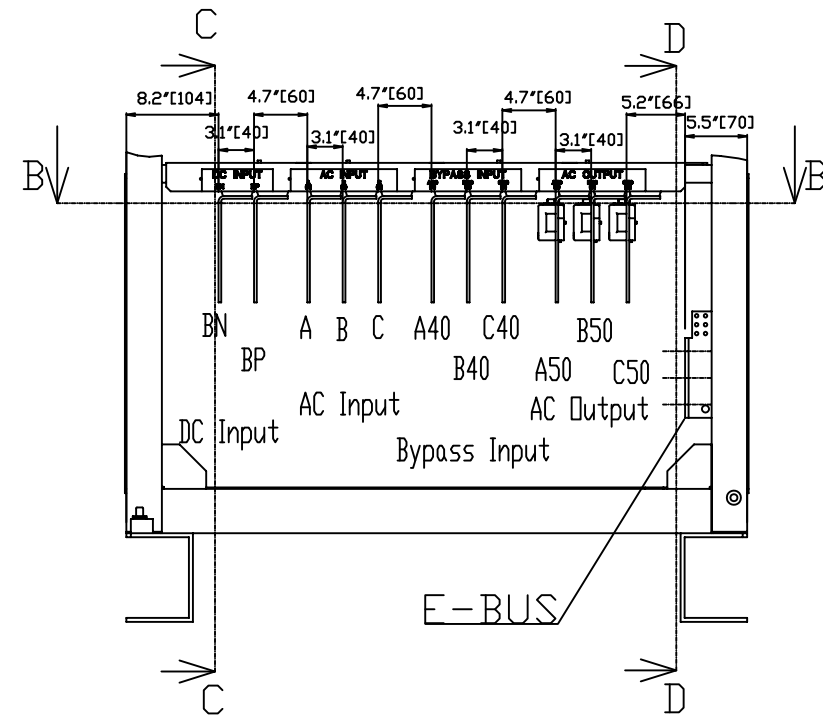
E

F



NOTES

- 5. EXTERNAL WIRING MATERIALS FOR AC INPUT, DC INPUT, BYPASS INPUT AND AC OUTPUT SHOULD BE SUPPLIED BY CUSTOMER (OUT OF SCOPE OF SUPPLY FROM MITSUBISHI).
- 6. A, B, C CLOCKWISE ROTATION



三角画法
尺度 SCALE

出図先

UG設

控

計

			TITLE	SHEETNo.
			OUTLINE-2	J02
作成日付 DATE	FEB.23.2015	作成・照査 DRAWN M.Ohno · M.Toyoda 設計・検認 APPROVED M.Ohno · H.Nagano	DWG.No.	BOARDNo.
			3DAA4390	PAGENO.

A

B

C

D

E

F

A

B

C

D

E

F

(OPTION)
TO I02:
EXTERNAL I/F BOARD

CN82
(HIF-16P)

I01

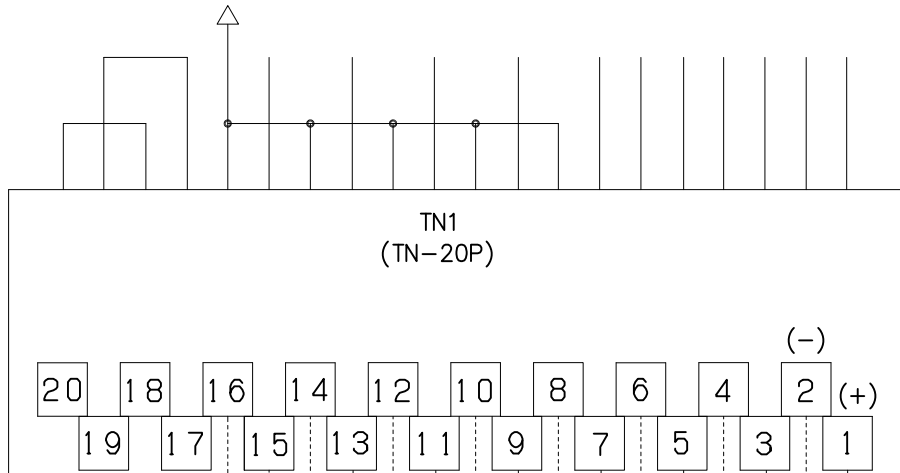
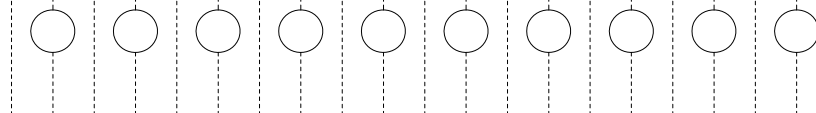
N.C.

TN2
(TN-20P)

TN1
(TN-20P)

20 18 16 14 12 10 8 6 4 2
19 17 15 13 11 9 7 5 3 1

20 18 16 14 12 10 8 6 4 2 (-)
19 17 15 13 11 9 7 5 3 1 (+)



52C CLOSE
OUT8: TOTAL ALARM
OUT7: SPARE
OUT6: OVERLOAD
OUT5: BATTERY LOW VOLTAGE
OUT4: CONVERTER OPERATION
OUT3: BATTERY OPERATION
OUT2: LOAD ON INVERTER
OUT1: LOAD ON BYPASS
SUMMARY ALARM

REMOTE EPO
IN4: POWER DEMAND
IN3: BATTERY TEMP.HIGH
IN2: REMOTE INVERTER STOP
IN1: REMOTE INVERTER START
LOAD CIRCUIT SWITCH
52L AX
CB2 AX
CB2 UVT
BATTERY BREAKER PANEL
UVT

三角画法
尺度 SCALE

出図先

UG設

控

計

MITSUBISHI ELECTRIC

作成日付 DATE: FEB.23.2015
作成・照査 DRAWN: M.Ohno・M.Toyoda
設計・検認 APPROVED: M.Ohno・H.Nagano

TITLE	TERMINAL BLOCK	SHEETNo.	K01
DWG.No.	3DAA4390	BOARDNo.	
		PAGENO.	006/006