

図番 3DAA4392

記 録 1 2 3 4 5 6 7 8 9

M-L-2

A

A

MITSUBISHI 9900AEGIS SERIES UPS

B

B

SCHEMATIC DIAGRAM LIST

PROJECT 150kVA(480V) UL LISTED UPS

TYPE UP9933A-E154DU-4

C

C

PAGE NO.	SHEET NO.	REVISION NO.	TITLE	PAGE NO.	SHEET NO.	REVISION NO.	TITLE
001	A01	A	SCHEMATIC DIAGRAM LIST				
002	E01		SYSTEM CONFIGURATION				
003	E02		SINGLE LINE DIAGRAM				
004	J01	B	OUTLINE-1				
005	J02		OUTLINE-2				
006	K01		EXTERNAL SIGNAL TERMINAL BLOCK				

D

D

E

E

三角画法
尺度 SCALE
1


出図先

UG設

F

F

控
計

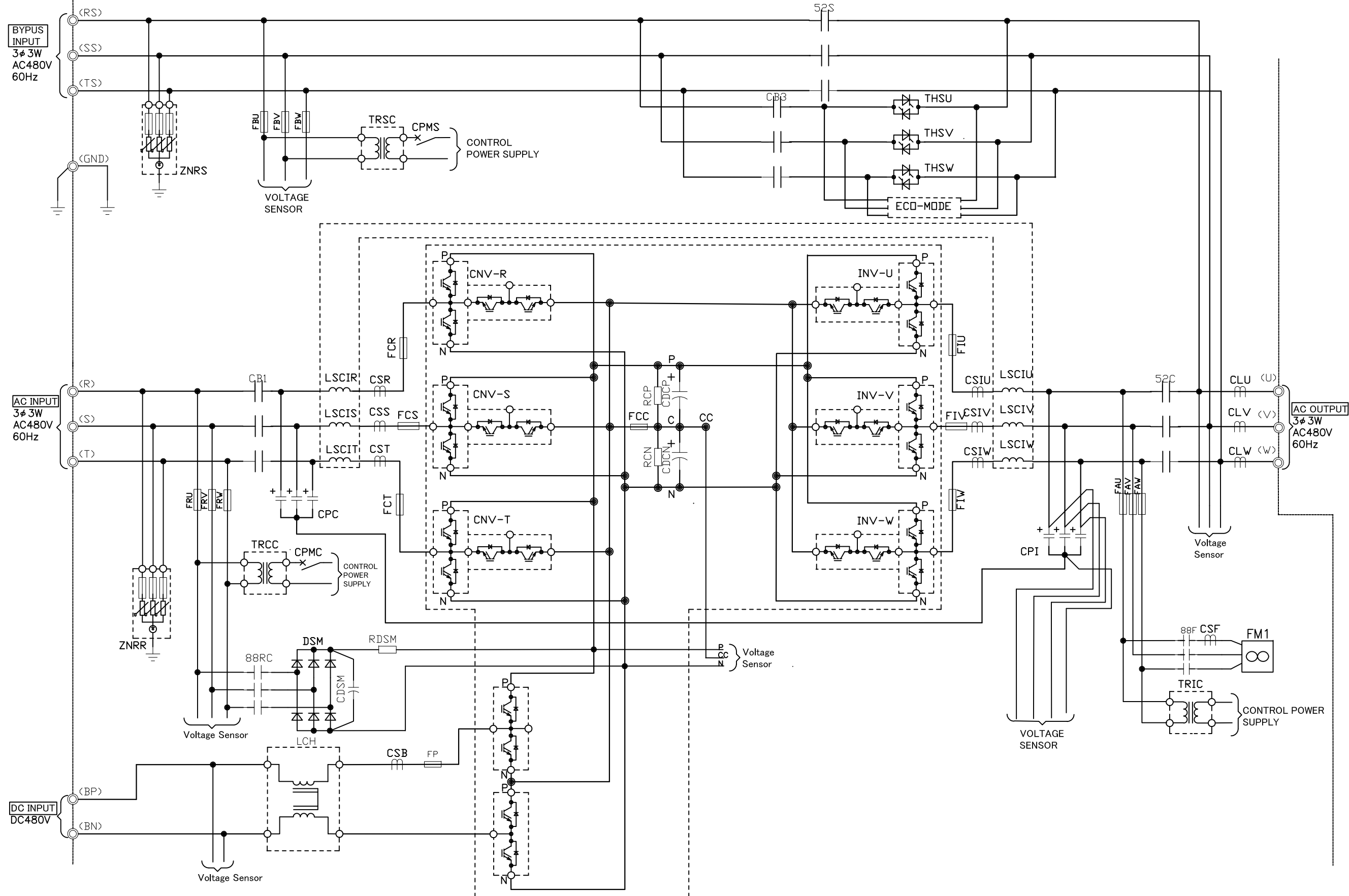
			TITLE	SHEETNo. A01
			作成日付 DATE FEB.23.2015	SCHEMATIC DIAGRAM LIST
B	2015.05.15 M.Ohno	作成・照査 DRAWN J.Matsumoto・ M.Toyoda	DWG.No.	PAGENO.
A	First drawing	設計・検認 APPROVED J.Matsumoto・ H.Nagano	3DAA4392	001/006

1 2 3 4 5 6 7 8 9

図番 3DAA4392

記録

M-L-2



三角画法
尺度 SCALE

出図先

UG設

控

計

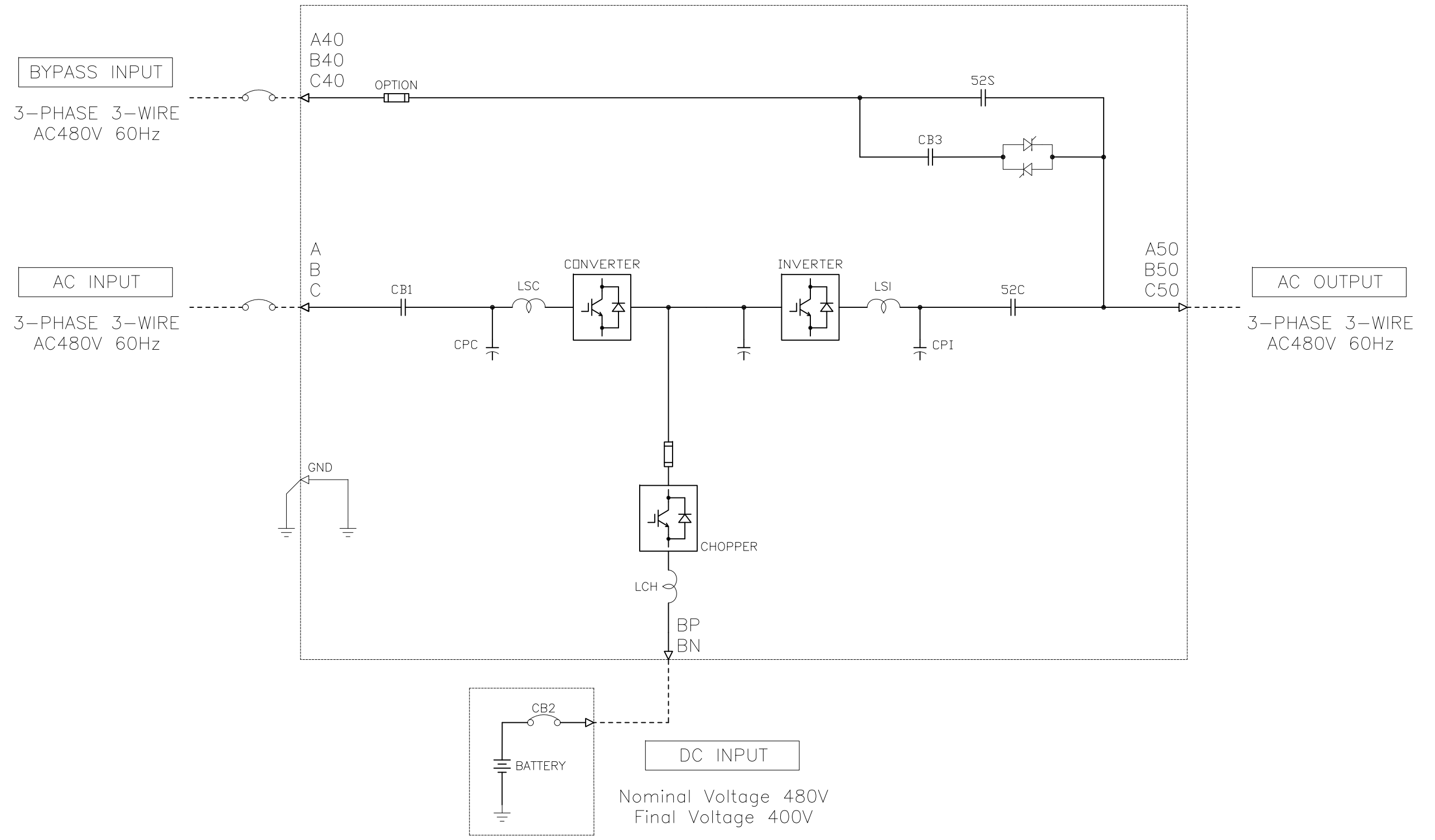
		TITLE	SHEETNo.
		SYSTEM CONFIGURATION	E01
作成日付 DATE	FEB.23.2015	DWG.No.	PAGENO.
作成・照査 DRAWN	J.Matsumoto・M.Toyoda	3DAA4392	002/006
設計・検認 APPROVED	J.Matsumoto・H.Nagano		

図番 3DAA4392

記録

M-L-2

150kVA 135kW UPS



三角画法
尺度 SCALE
:

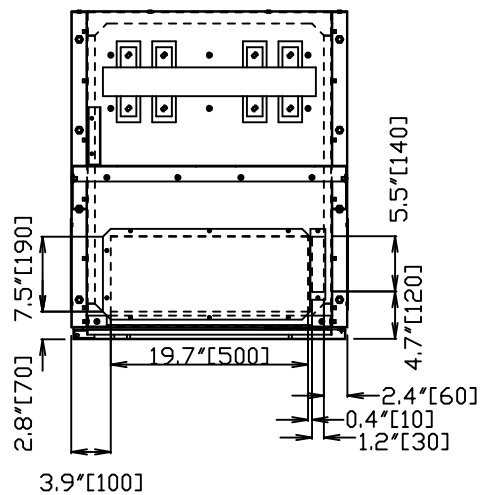
出図先

UG設

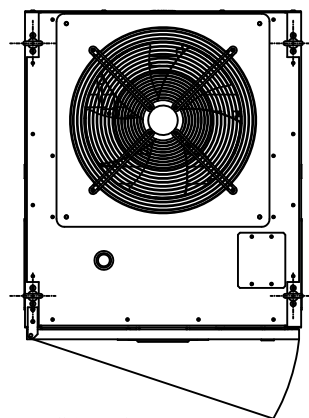
控

計

				TITLE	SHEETNo.
				SINGLE LINE DIAGRAM	E02
作成日付 DATE	FEB.23.2015			DWG.No.	BOARDNo.
作成・照査 DRAWN	J.Matsumoto・M.Toyoda			3DAA4392	PAGENO.
設計・検認 APPROVED	J.Matsumoto・H.Nagano				003/006



A-A

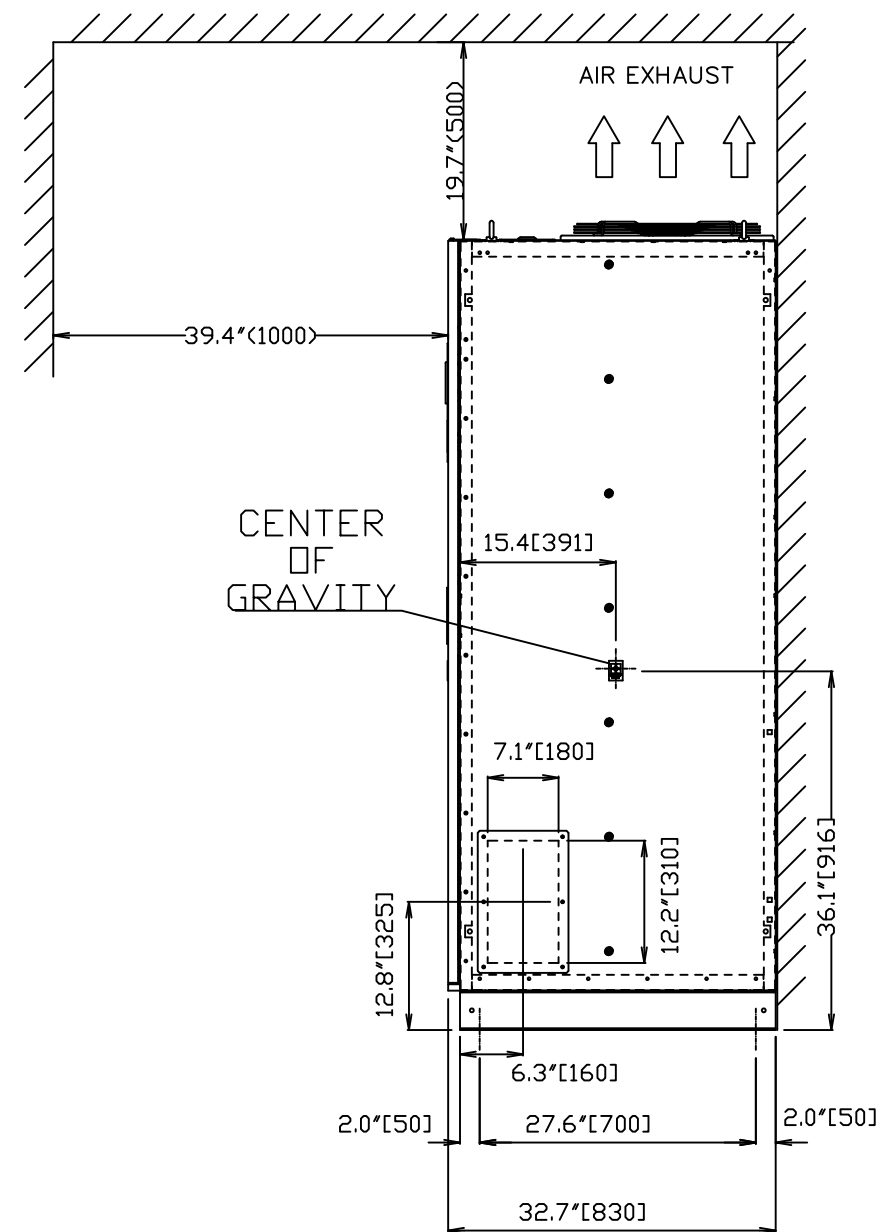
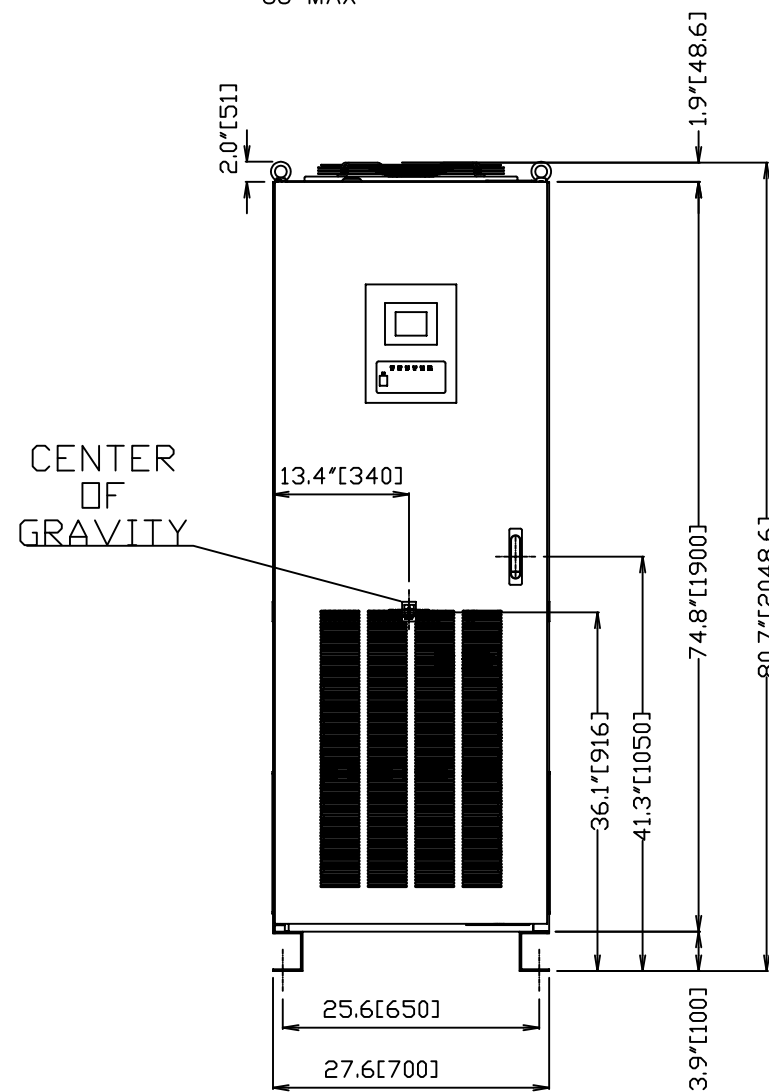


R27.6" (700)
DOOR SWING
88° MAX

NOTES

1. DIMENSIONS ARE SHOWN IN INCHES (MILLIMETERS).
2. SIDE SPACE '1"(25)' IS NOT REQUIRED WHEN SIDECARS ARE USED.
3. CABINET SHOULD BE MAINTAINED UPRIGHT WITHIN ±15° DURING HANDLING.
4. APPROXIMATE WEIGHTS

150KVA : 860lbs (390kg)



三角画法
尺度 SCALE

出図先

UG設

控

計

			TITLE	SHEETNo.
			OUT LINE-1	J01
		作成日付 DATE	FEB.23 .2015	BOARDNo.
		作成・照査 DRAWN	J.Matsumoto・ M.Toyoda	PAGENO.
		設計・検認 APPROVED	J.Matsumoto・ H.Nagano	004/006
B	2015.05.15 M. Ohone	DWG.No. 3DAA4392		

図番 3DAA4392

記録

M-L-2

A

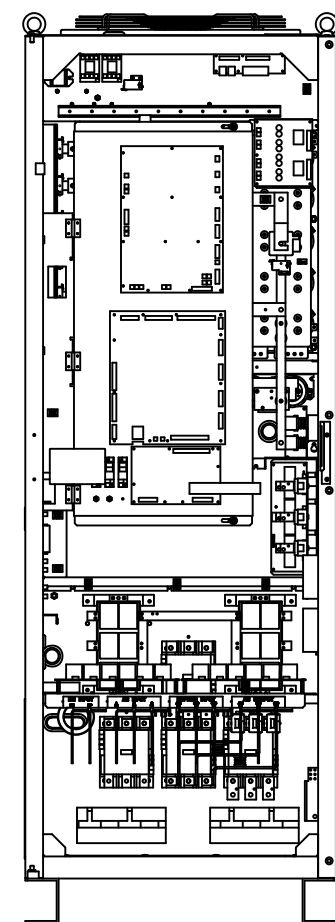
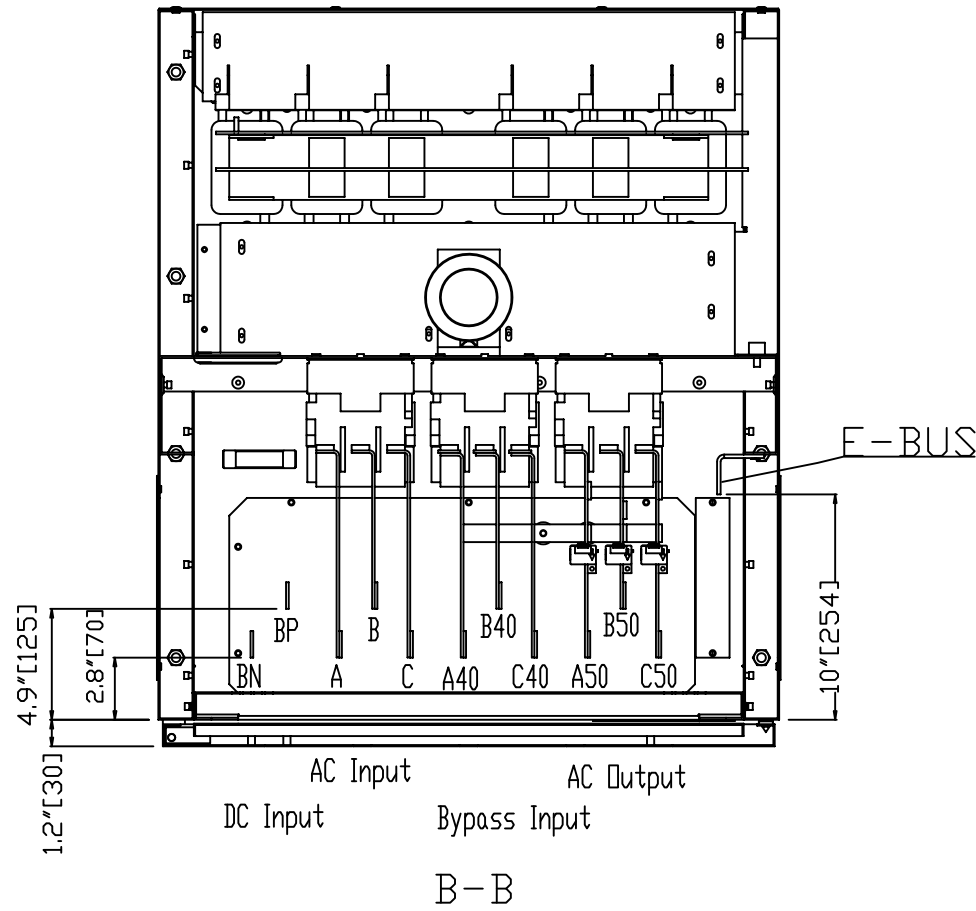
B

C

D

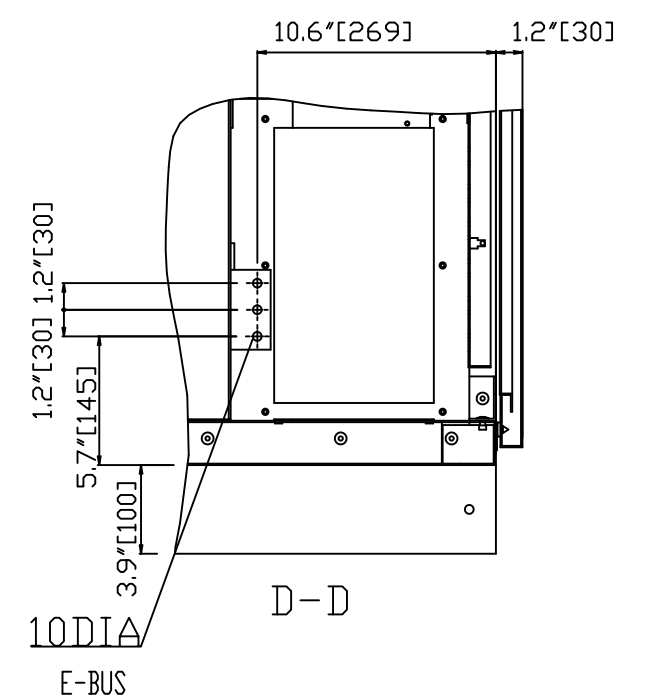
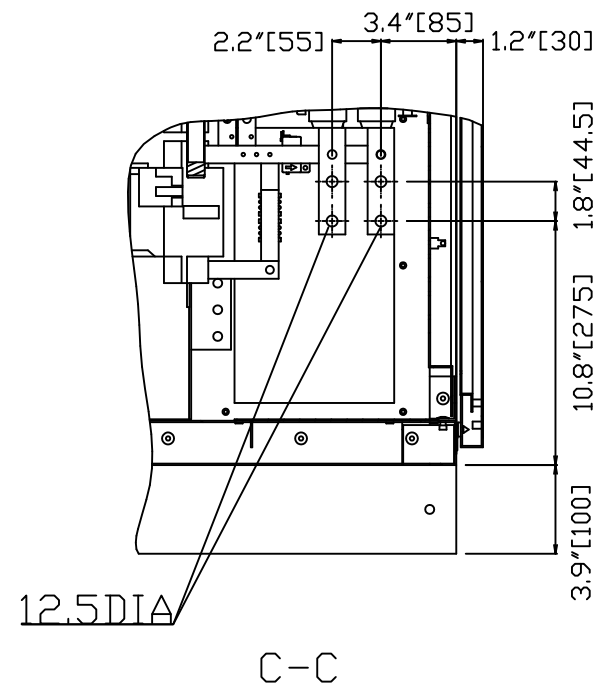
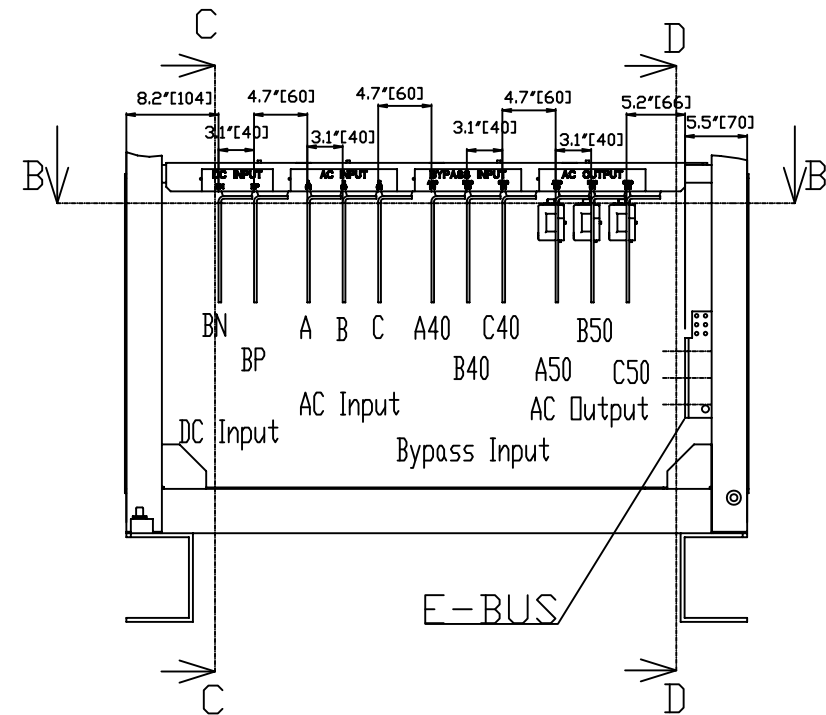
E

F



NOTES

- 5. EXTERNAL WIRING MATERIALS FOR AC INPUT, DC INPUT, BYPASS INPUT AND AC OUTPUT SHOULD BE SUPPLIED BY CUSTOMER (OUT OF SCOPE OF SUPPLY FROM MITSUBISHI).
- 6. A, B, C CLOCKWISE ROTATION



三角画法
尺度 SCALE

出図先

UG設

控

計

			TITLE	SHEETNo.
			OUTLINE-2	J02
作成日付 DATE	FEB.23 .2015	作成・照査 DRAWN	J.Matsumoto・ M.Toyoda	BOARDNo.
設計・検認 APPROVED	J.Matsumoto・ H.Nagano	DWG.No.	3DAA4392	PAGENO.
				005/006

A

B

C

D

F

F

三角画法
尺度 SCALE

出図先

UG設

控

計

1 2 3 4 5 6 7 8 9

(OPTION)
TO I02:
EXTERNAL I/F BOARD

CN82
(HIF-16P)

I01

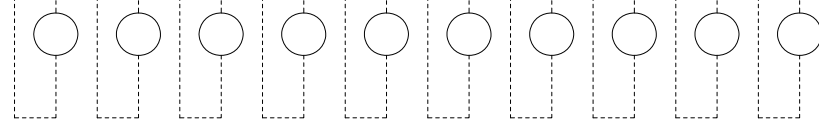
N.C.

TN2
(TN-20P)

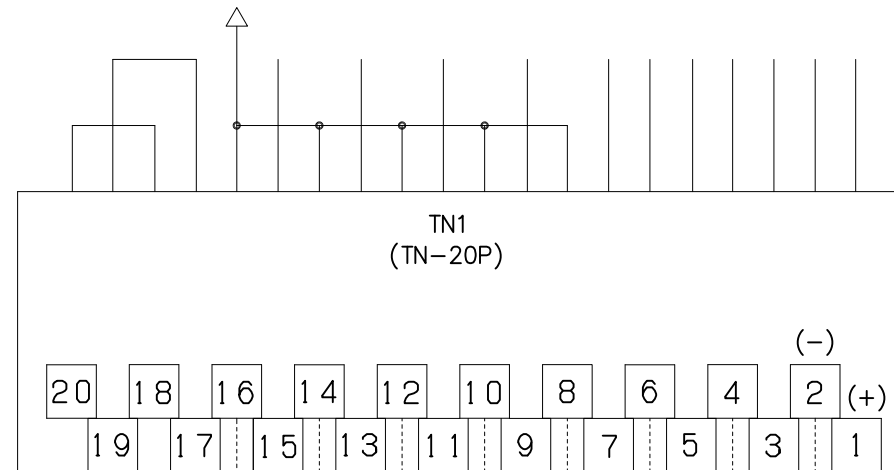
TN1
(TN-20P)

20 18 16 14 12 10 8 6 4 2
19 17 15 13 11 9 7 5 3 1

20 18 16 14 12 10 8 6 4 2 (-)
19 17 15 13 11 9 7 5 3 1 (+)



52C CLOSE
OUT8: TOTAL ALARM
OUT7: SPARE
OUT6: OVERLOAD
OUT5: BATTERY LOW VOLTAGE
OUT4: CONVERTER OPERATION
OUT3: BATTERY OPERATION
OUT2: LOAD ON INVERTER
OUT1: LOAD ON BYPASS
SUMMARY ALARM



REMOTE EPO
IN4: POWER DEMAND
IN3: BATTERY TEMP.HIGH
IN2: REMOTE INVERTER STOP
IN1: REMOTE INVERTER START
LOAD CIRCUIT SWITCH
52L AX
CB2 AX
CB2 UVT
BATTERY BREAKER PANEL
UVT

..		TITLE	SHEETNo.
..		TERMINAL BLOCK	K01
..	作成日付 DATE	FEB.23.2015	BOARDNo.
..	作成・照査 DRAWN	J.Matsumoto・M.Toyoda	PAGENO.
..	設計・検認 APPROVED	J.Matsumoto・H.Nagano	006/006
..	DWG.No.	3DAA4392	

1 2 3 4 5 6 7 8 9

A

B

C

D

F

F