

図番 3DAA4258

記録

M-L-2

MITSUBISHI 9900AEGIS SERIES UPS

SCHEMATIC DIAGRAM LIST

PROJECT 225kVA(480V) UL LISTED UPS

TYPE UP9933A-E234DU-4

PAGE NO.	SHEET NO.	REVISION NO.	TITLE	PAGE NO.	SHEET NO.	REVISION NO.	TITLE
001	A01	A	SCHEMATIC DIAGRAM LIST				
002	E01		SYSTEM CONFIGURATION				
003	E02		SINGLE LINE DIAGRAM				
004	J01		OUTLINE-1				
005	J02		OUTLINE-2				
006	K01		EXTERNAL SIGNAL TERMINAL BLOCK				

三角画法
尺度 SCALE
:

出図先

UG設

控

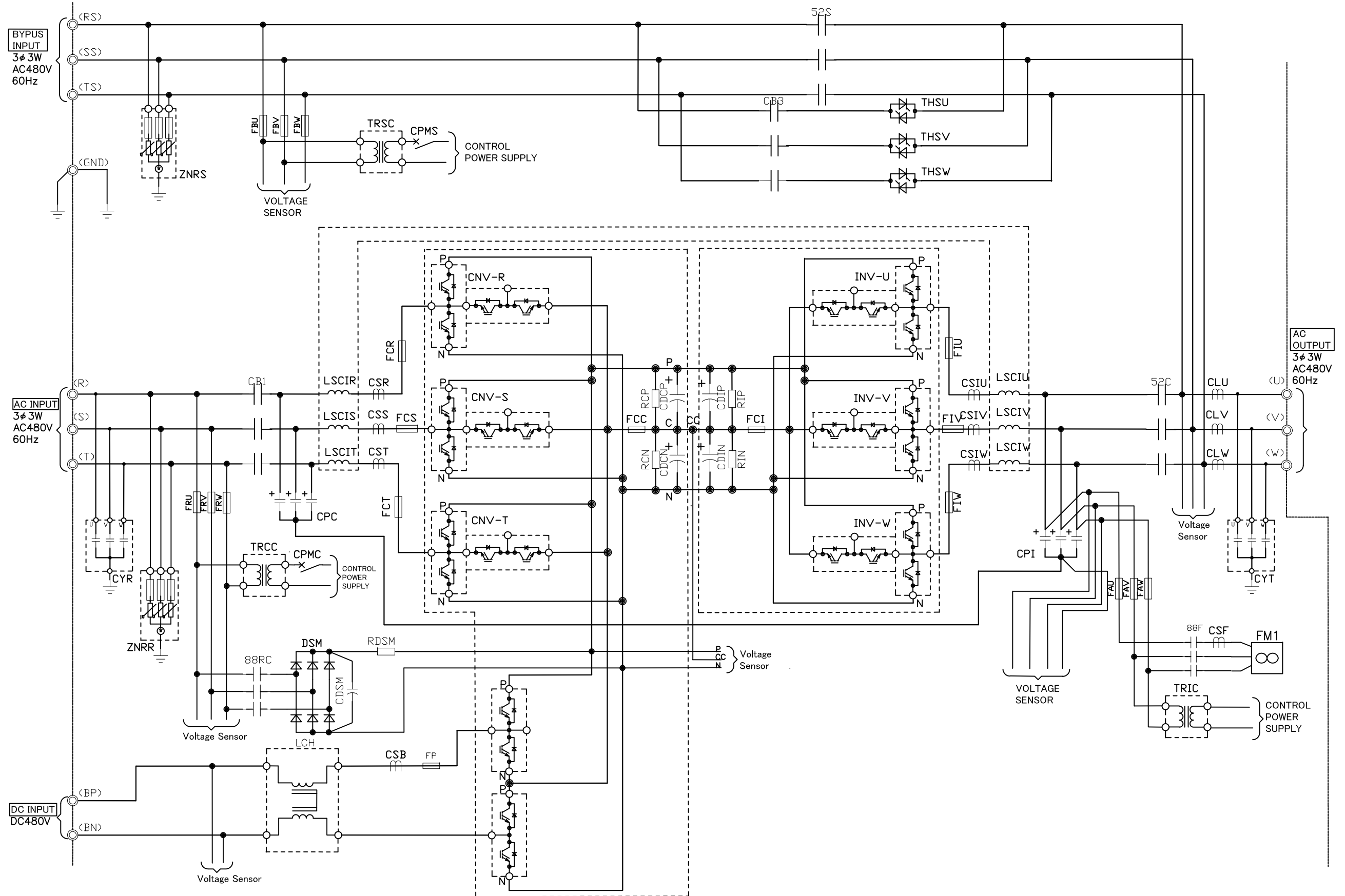
計

			TITLE	SHEETNo. A01
			SCHEMATIC DIAGRAM LIST	BOARDNo.
	作成日付 DATE	OCT .31 .2014	DWG.No.	PAGENO.
	作成・照査 DRAWN	J.Matsumoto・ M.Toyoda	3DAA4258	001/006
A	設計・検認 APPROVED	J.Matsumoto・ H.Nagano		
A First drawing				

図番 3DAA4258

記録

M-L-2



三角画法
尺度 SCALE

出図先

UG設

F

控
計

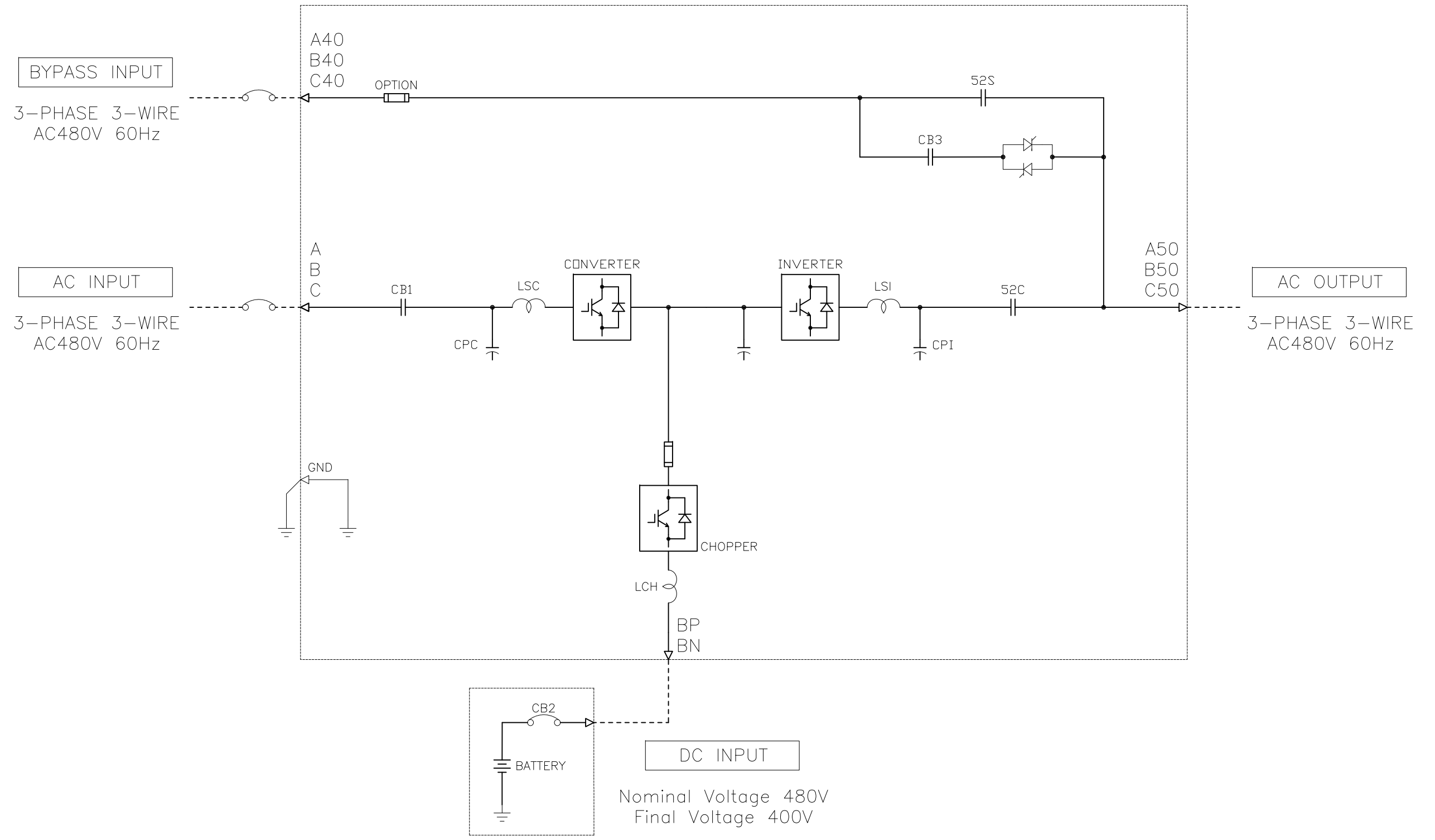
		TITLE	SHEETNo.
		SYSTEM CONFIGURATION	E01
作成日付 DATE	OCT .31 .2014	DWG.No.	BOARDNo.
作成・照査 DRAWN	J.Matsumoto・M.Toyoda	3DAA4258	PAGENO.
設計・検認 APPROVED	J.Matsumoto・H.Nagano		002/006

図番 3DAA4258

記録

M-L-2

225kVA 203kW UPS



三角画法
尺度 SCALE
:

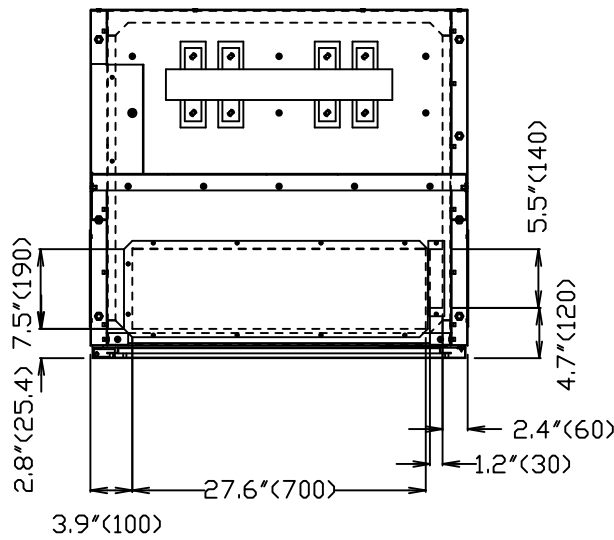
出図先

UG設

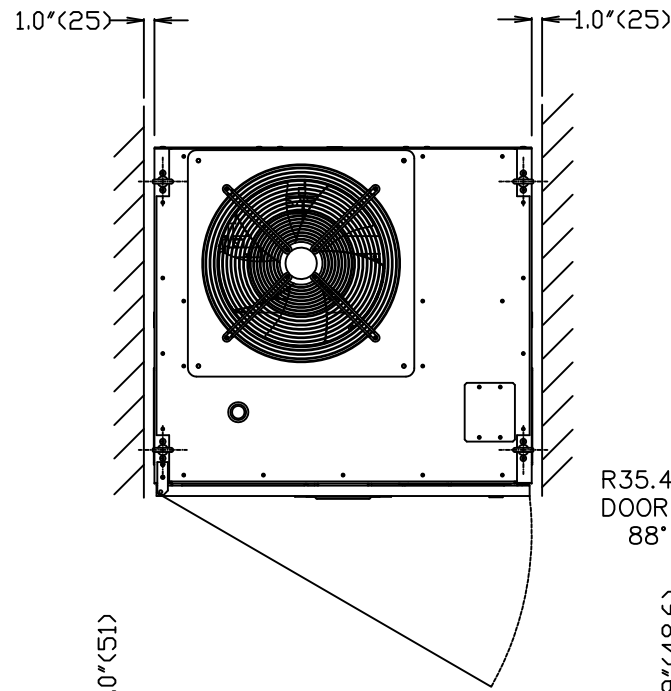
控

計

			TITLE	SHEETNo.
			SINGLE LINE DIAGRAM	E02
作成日付 DATE	OCT .31 .2014	作成・照査 DRAWN J.Matsumoto・ M.Toyoda 設計・検認 APPROVED J.Matsumoto・ H.Nagano	DWG.No.	BOARDNo.
			3DAA4258	PAGENO.
				003/006



A-A

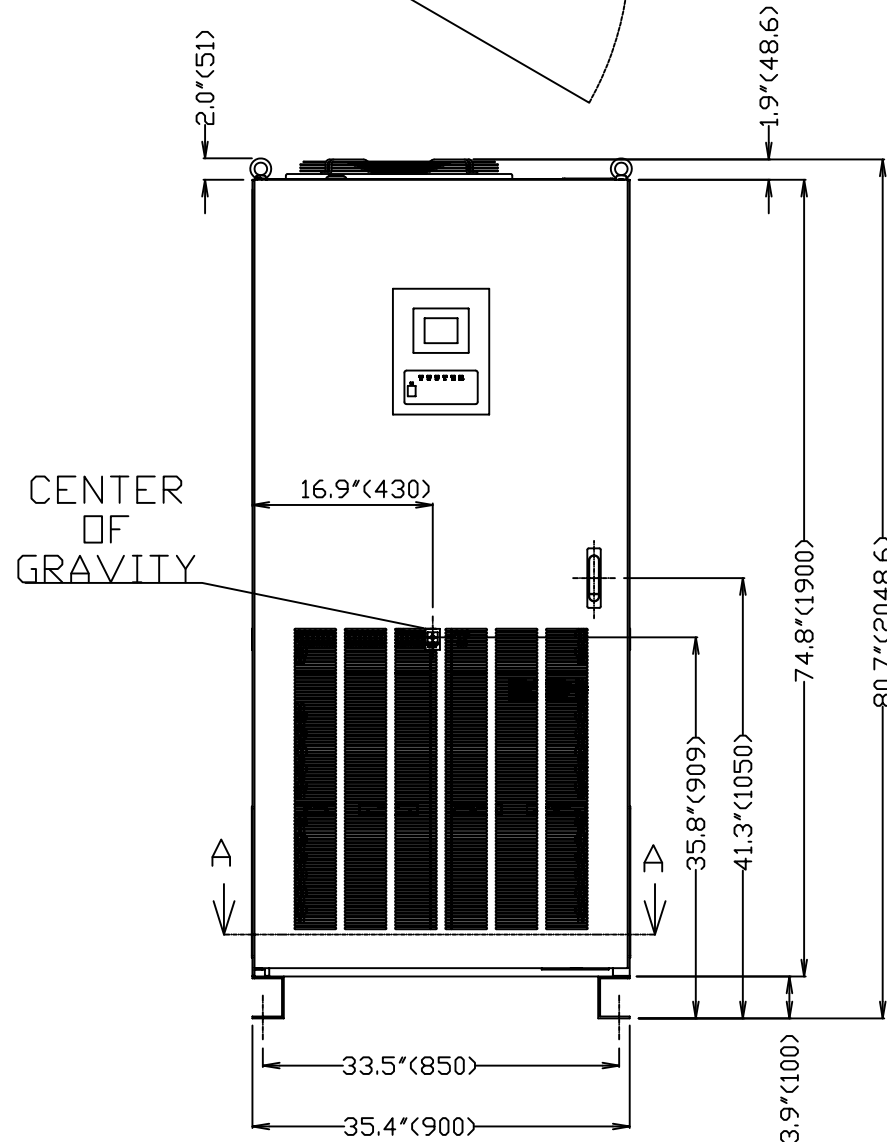


R35.4" (900)
DOOR SWING
88° MAX

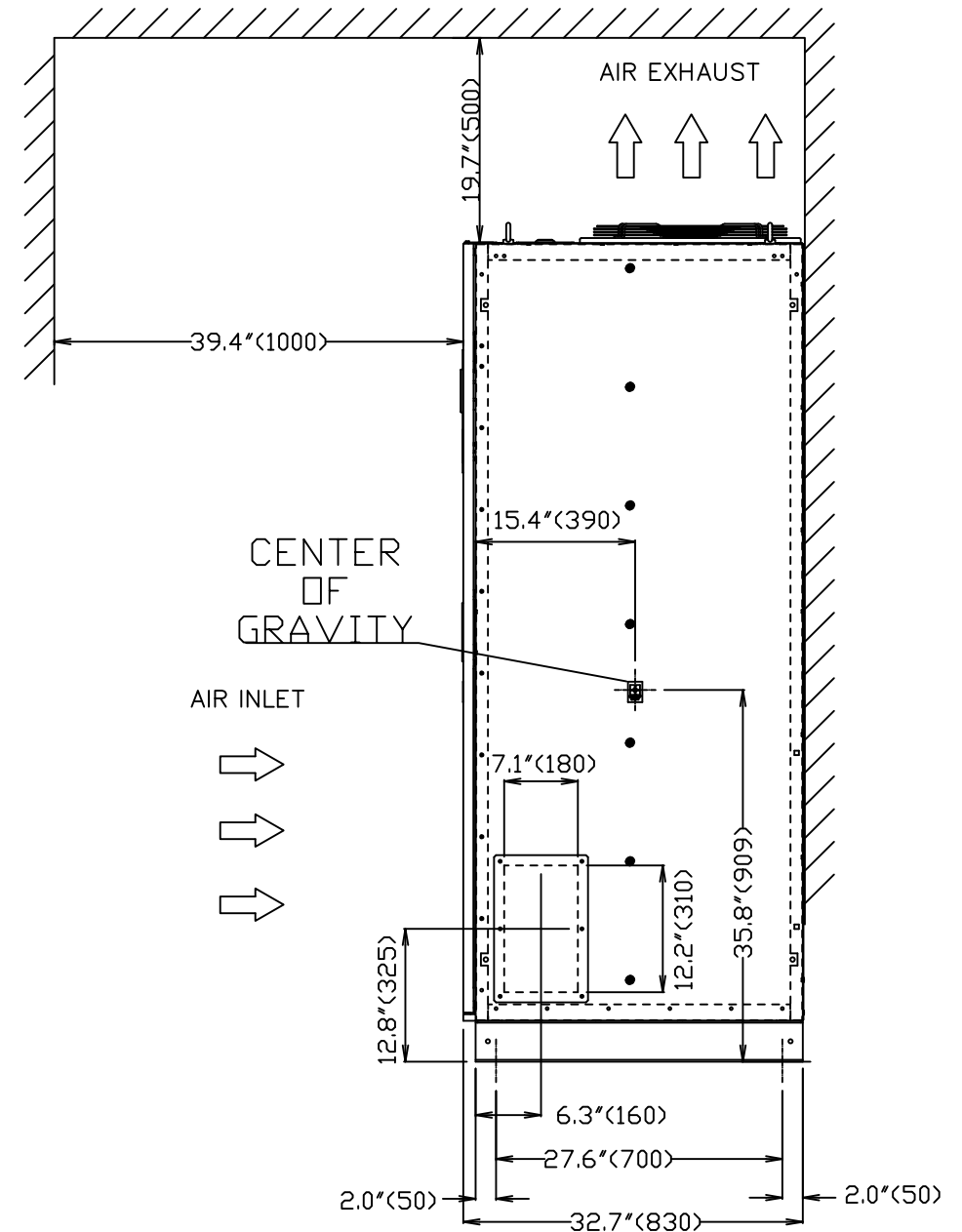
NOTES

1. DIMENSIONS ARE SHOWN IN INCHES (MILLIMETERS).
2. SIDE SPACE ' 1" (25) ' IS NOT REQUIRED WHEN SIDECARS ARE USED.
3. CABINET SHOULD BE MAINTAINED UPRIGHT WITHIN ±15° DURING HANDLING.
4. APPROXIMATE WEIGHTS

225KVA : 1080lbs (480kg)



CENTER OF GRAVITY



CENTER OF GRAVITY

AIR INLET

AIR EXHAUST

三角画法
尺度 SCALE

出図先

UG設

F

控

計

				TITLE	SHEETNo.
		MITSUBISHI ELECTRIC		OUT LINE-1	J01
作成日付 DATE	OCT .31 .2014	作成・照査 DRAWN J.Matsumoto・ M.Toyoda		DWG.No.	BOARDNo.
設計・検認 APPROVED	J.Matsumoto・ H.Nagano	3DAA4258			PAGENo.
					004/006

図番 3DAA4258

記録

M-L-2

A

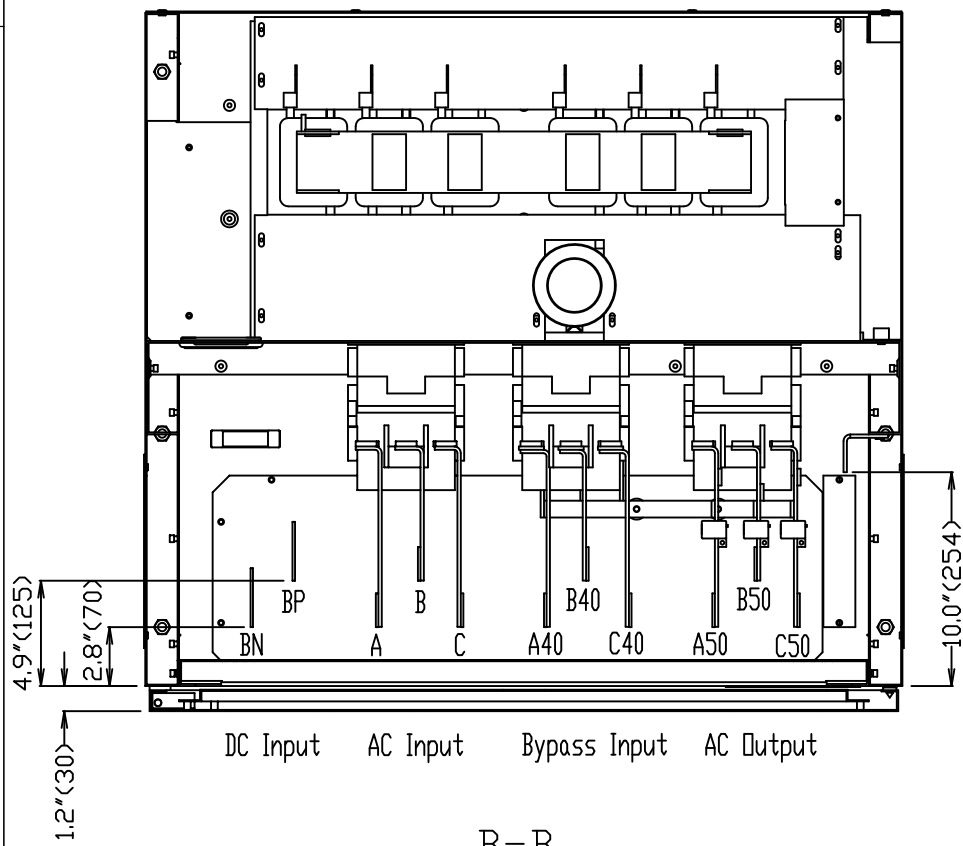
B

C

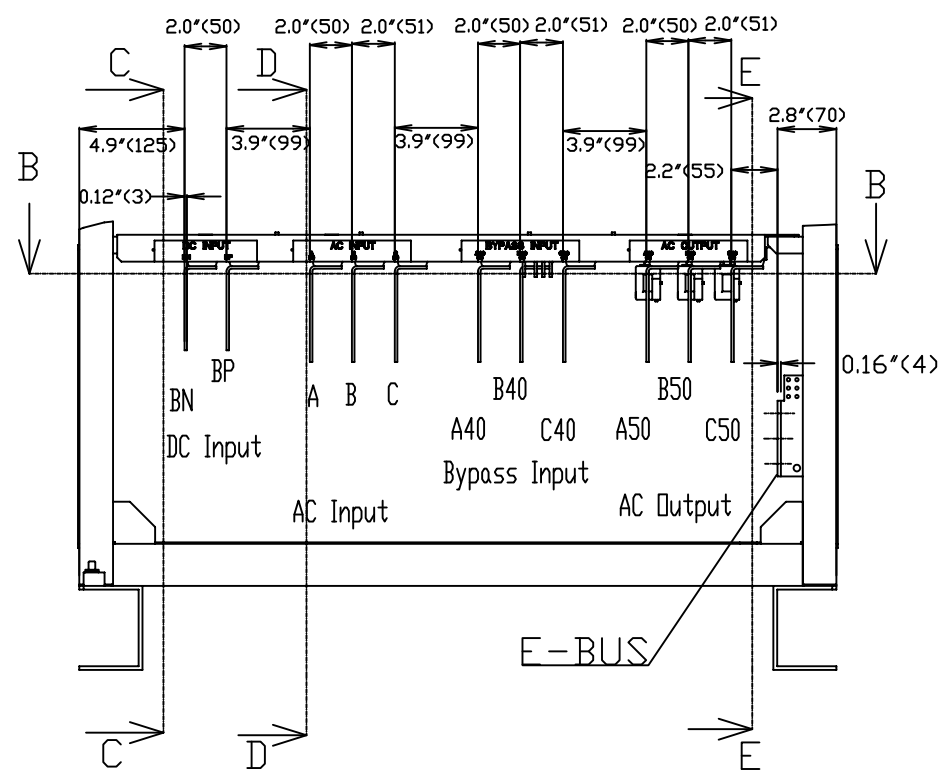
D

E

F



B-B



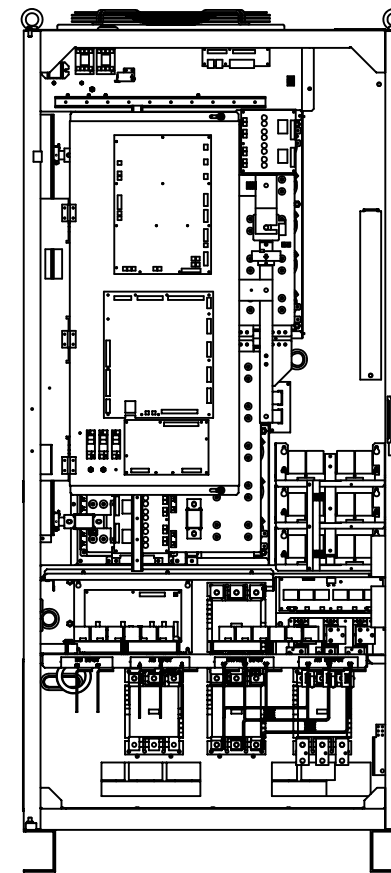
三角画法
尺度 SCALE
1

出図先

UG設

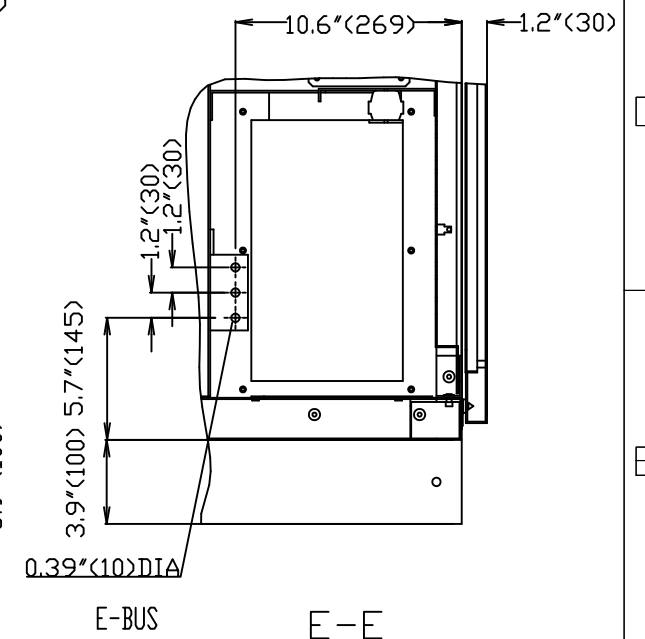
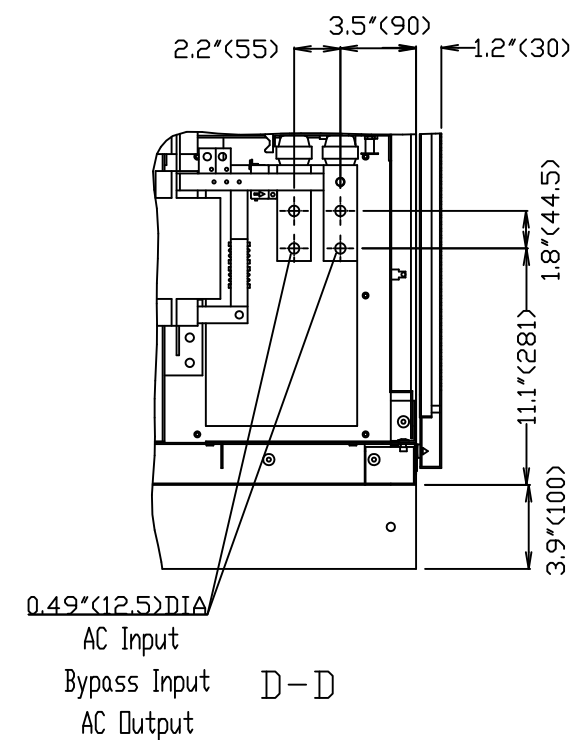
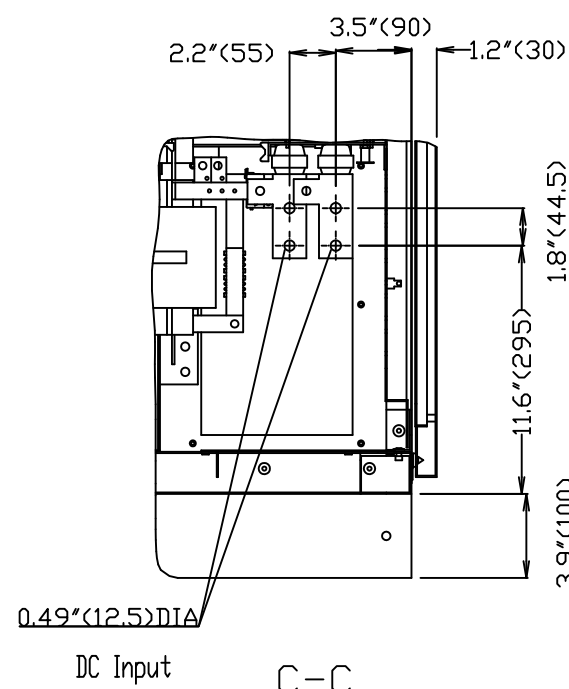
控

計



NOTES

- 5. EXTERNAL WIRING MATERIALS FOR AC INPUT, DC INPUT, BYPASS INPUT AND AC OUTPUT SHOULD BE SUPPLIED BY CUSTOMER (OUT OF SCOPE OF SUPPLY FROM MITSUBISHI).
- 6. A, B, C CLOCKWISE ROTATION



			TITLE	SHEETNo.
			OUTLINE-2	J02
		作成日付 DATE	OCT .31 .2014	BOARDNo.
		作成・照査 DRAWN	J.Matsumoto・ M.Toyoda	PAGENO.
		設計・検認 APPROVED	J.Matsumoto・ H.Nagano	005/006
			DWG.No.	3DAA4258

A

B

C

D

E

F

(OPTION)
TO I02:
EXTERNAL I/F BOARD

CN82
(HIF-16P)

I01

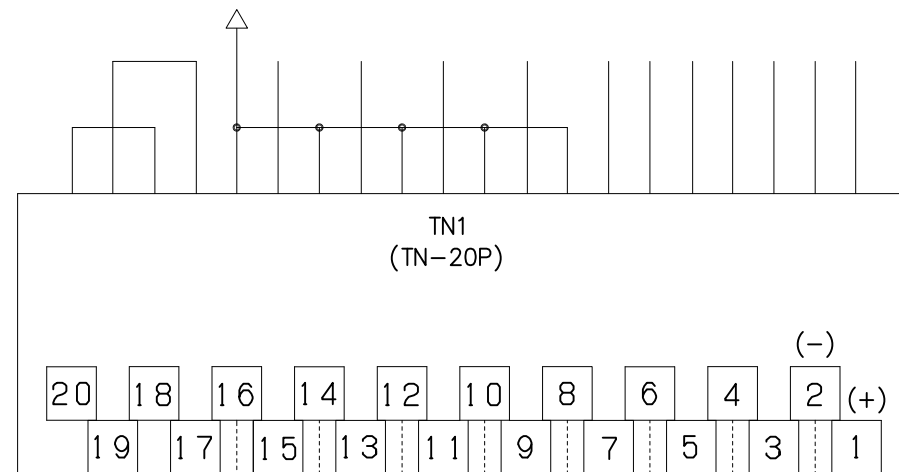
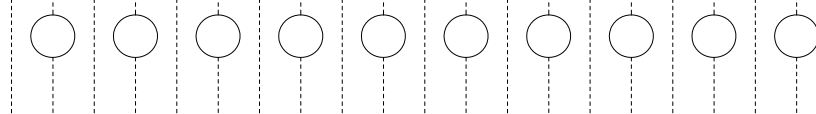
N.C.

TN2
(TN-20P)

TN1
(TN-20P)

20 18 16 14 12 10 8 6 4 2
19 17 15 13 11 9 7 5 3 1

20 18 16 14 12 10 8 6 4 2 (-)
19 17 15 13 11 9 7 5 3 1 (+)



52C CLOSE
OUT8: TOTAL ALARM
OUT7: SPARE
OUT6: OVERLOAD
OUT5: BATTERY LOW VOLTAGE
OUT4: CONVERTER OPERATION
OUT3: BATTERY OPERATION
OUT2: LOAD ON INVERTER
OUT1: LOAD ON BYPASS
SUMMARY ALARM

REMOTE EPO
IN4: POWER DEMAND
IN3: BATTERY TEMP.HIGH
IN2: REMOTE INVERTER STOP
IN1: REMOTE INVERTER START
LOAD CIRCUIT SWITCH
52L AX
CB2 AX
CB2 UVT
BATTERY BREAKER PANEL
UVT

三角画法
尺度 SCALE

出図先

UG設

控
計

..		TITLE	TERMINAL BLOCK 3DAA4258	SHEETNo. K01
..		作成日付 DATE OCT .31 .2014		DWG.No.
..	作成・照査 DRAWN J.Matsumoto・ M.Toyoda	設計・検認 APPROVED J.Matsumoto・ H.Nagano		PAGENO. 006/006
..				