

4

4

3

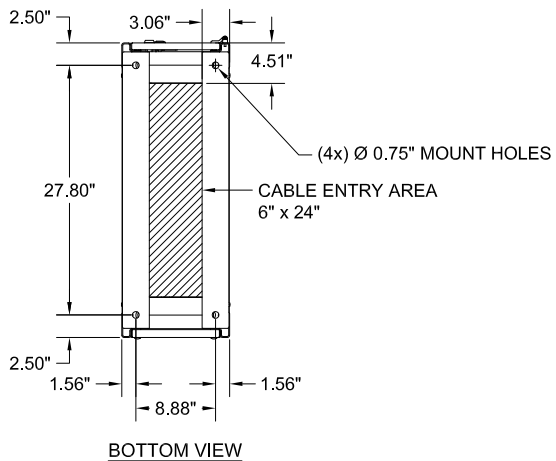
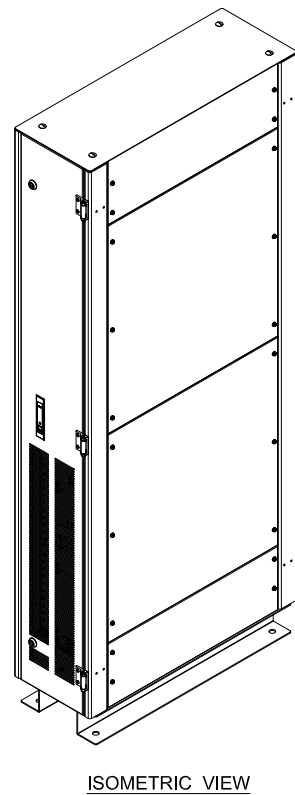
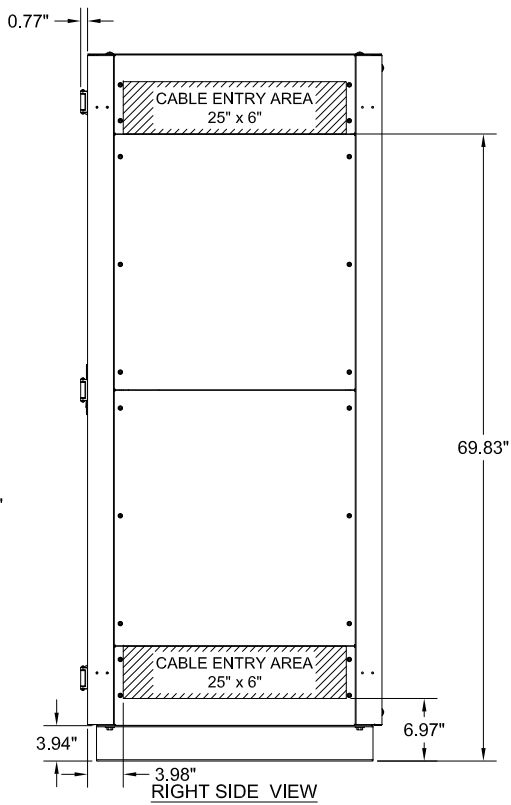
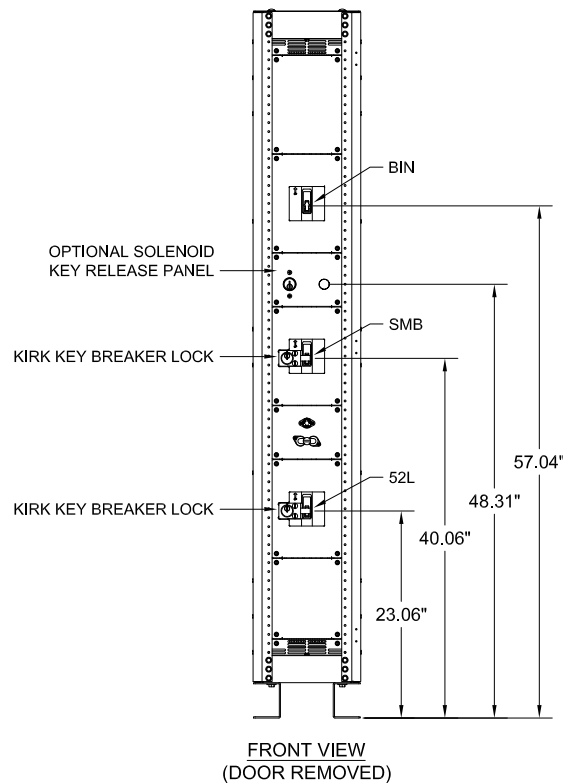
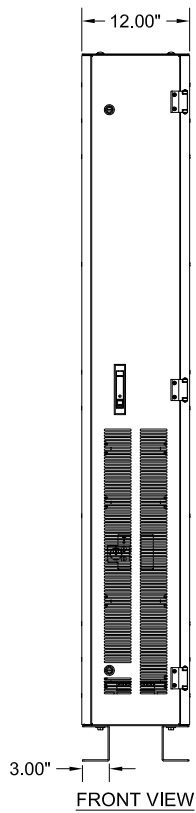
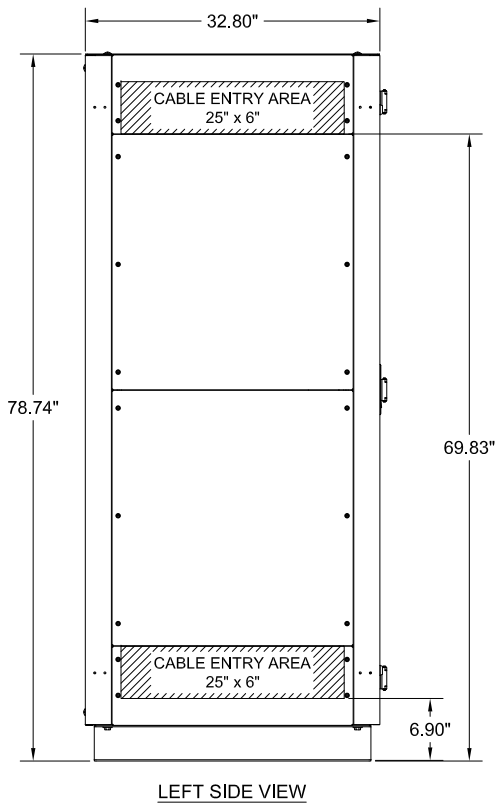
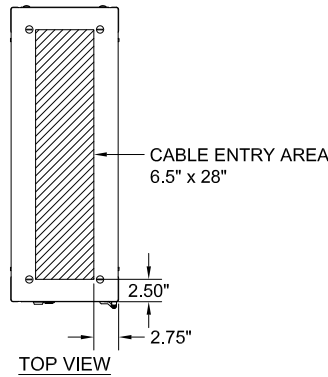
3

2

2

1

1



- NOTES:
 APPROXIMATE WEIGHT: 285 LBS.
 1. ASSEMBLY IS UL LISTED TO UL 891.
 2. NEMA 1 TYPE ENCLOSURE.
 3. THE CABINET IS CONSTRUCTED FROM GALVANIZED STEEL.
 4. THE CABINET IS TO BE MOUNTED THROUGH THE 0.750\"/>

PART NUMBER BREAK DOWN
 UD100053-080-4C3K6ET

- CONDUIT ENTRY B BOTTOM ONLY A BOTH TOP AND BOTTOM
- ELEC. SCHEME E 3 BREAKER SINGLE INPUT
- KAIC RATING 3 35 6 65
- INTERLOCK TYPE K KIRK KEY SCHEME E SKRU SCHEME
- NUMBER OF BREAKERS 3
- BREAKER MANUFACTURER C CUTLER HAMMER
- VOLTAGE 4 480V
- KVA 080 100 150 225

REVISIONS	DATE	BY	DESCRIPTION
0 - INITIAL RELEASE	EGF 8/28/12		
1 - UPDATED DIMENSIONS	EGF 10/4/12		
2 - UPDATED PART NUMBER BREAK DOWN	GDJ 12/05/12		
3 - UPDATED KAIC RATING	ZMZ 10/30/17		

DWG. No.	UD-100053	SCALE	NTS	DRAFTER	E. FALK	DATE	08/28/12
REF. DWG. No.		CHECKED	K. BEAMER	DATE	09/10/12	MITSUBISHI ELECTRIC POWER PRODUCTS, INC. WARRENDALE, PA.	
FILE LOCATION:		ENGINEER	E. FALK	DATE	08/28/12	TITLE: 9900A SERIES PERIPHERALS 80-225 KVA BYPASS DWG No. SHEET 1 OF 2	
		APPROVED	K. BEAMER	DATE	09/10/12	REV:	3