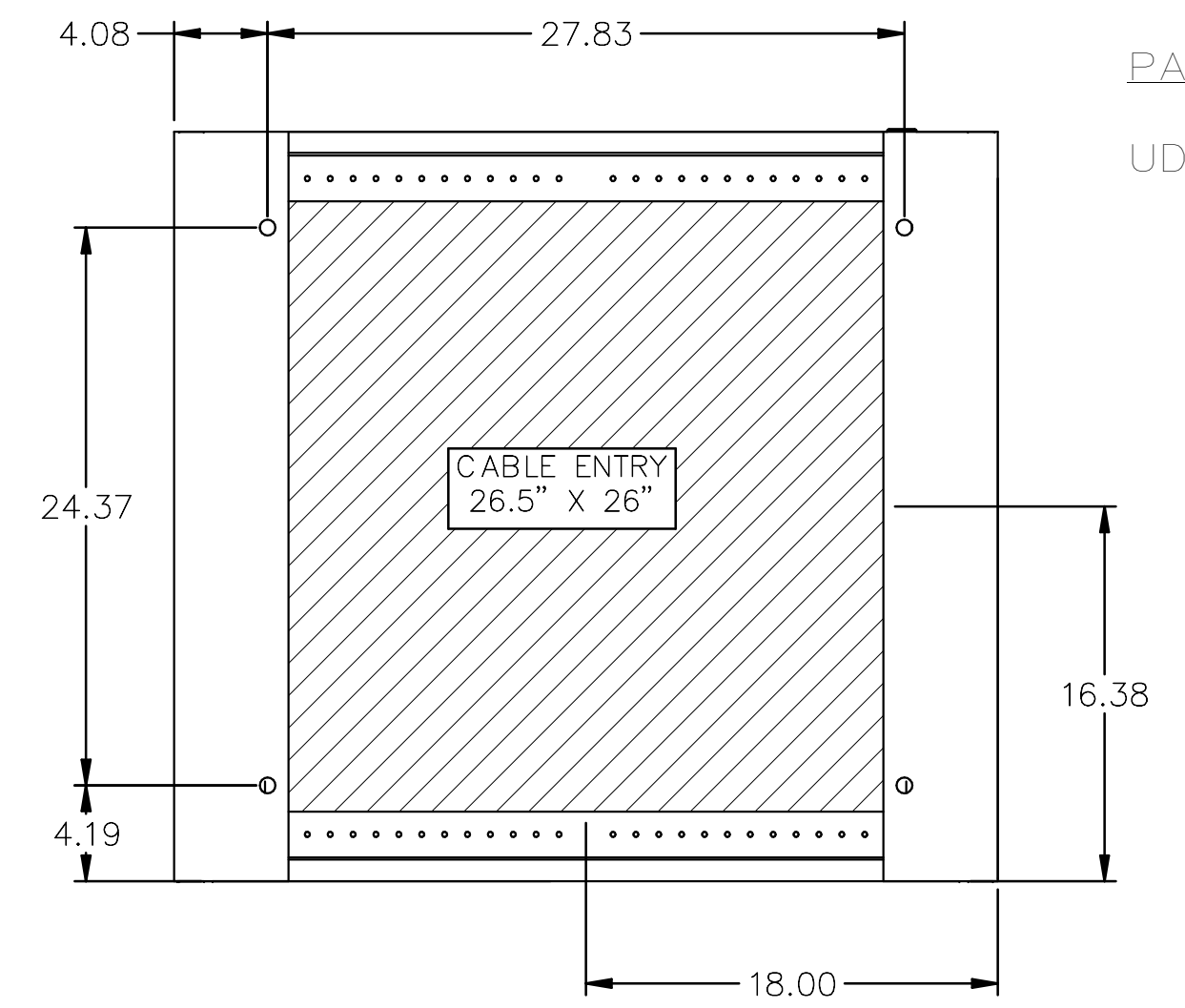
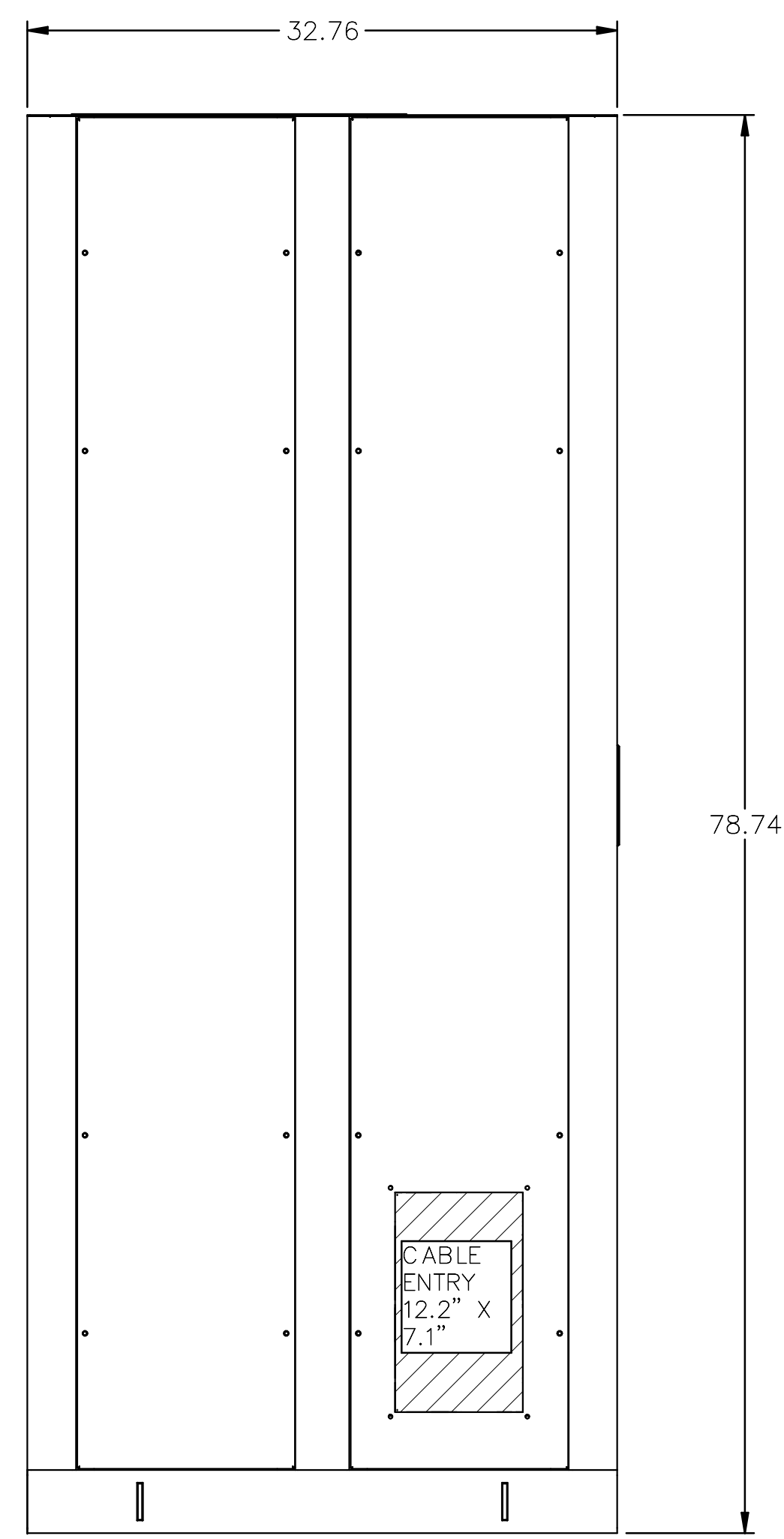


TOP VIEW

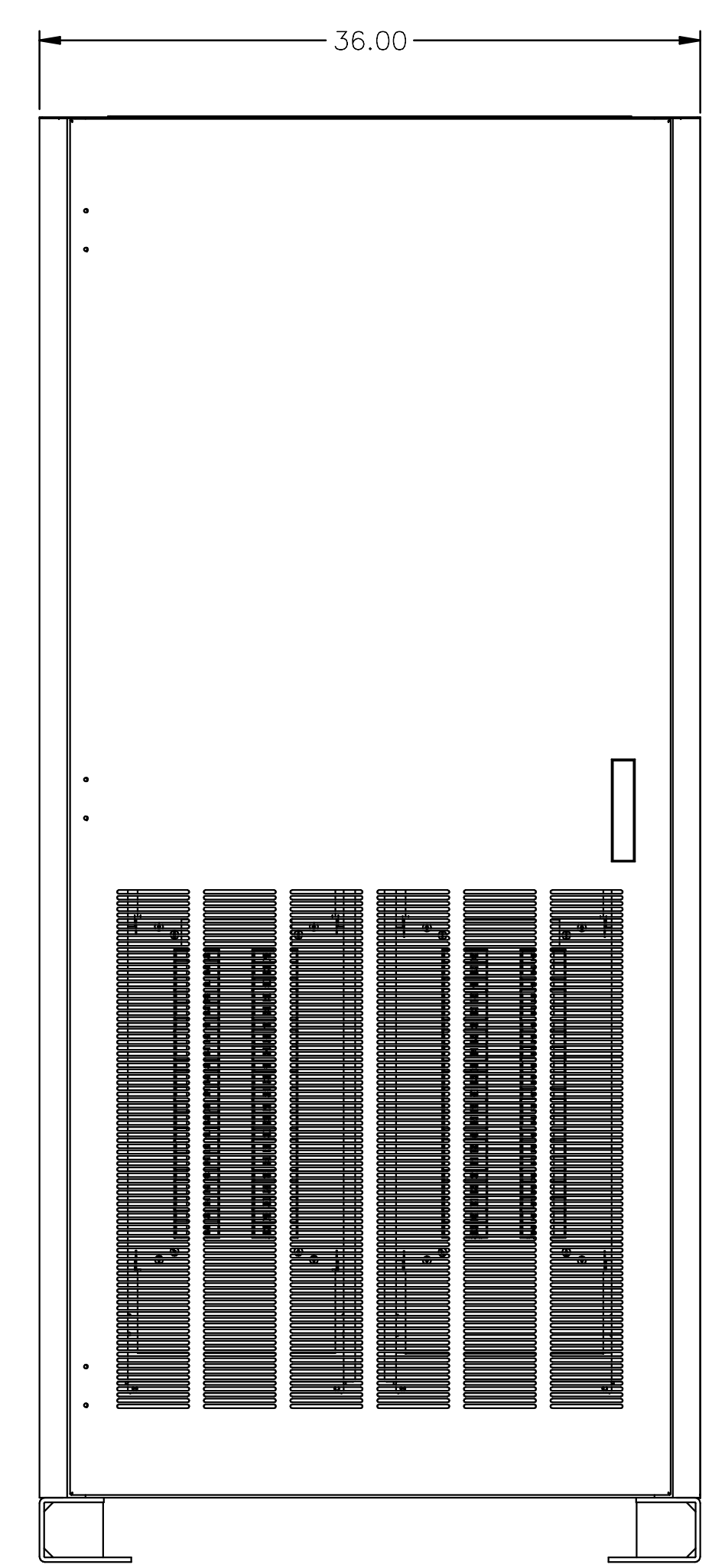


BOTTOM VIEW

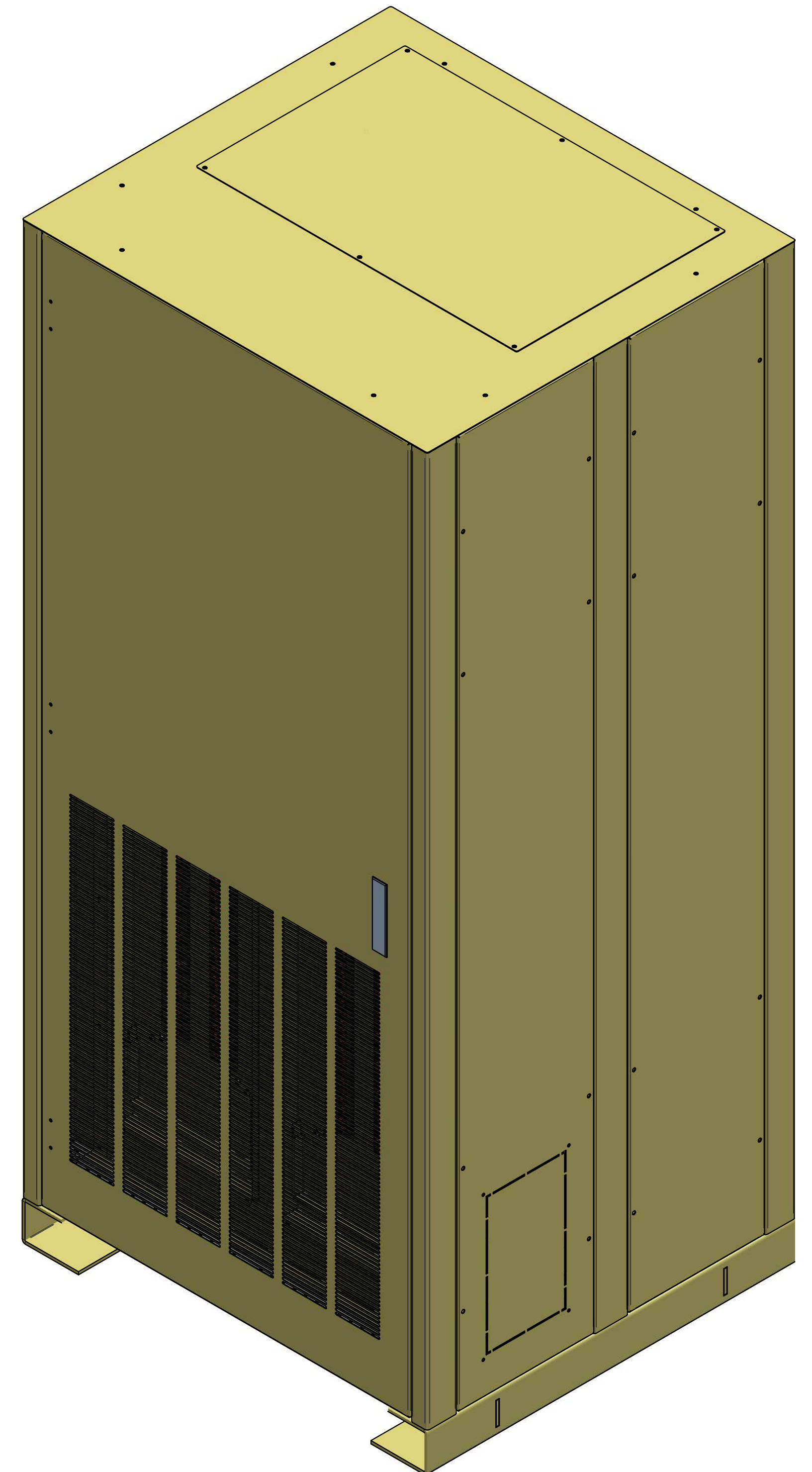
PART NUMBER:
 UD-100374-208 D 6 2
 # OF 42 POLE PANELS (MAXIMUM 2)
 # OF DISTRIBUTION BREAKERS (MAXIMUM 6-# OF 42 POLE PANELS)
 INPUT VOLTAGE



LEFT SIDE VIEW



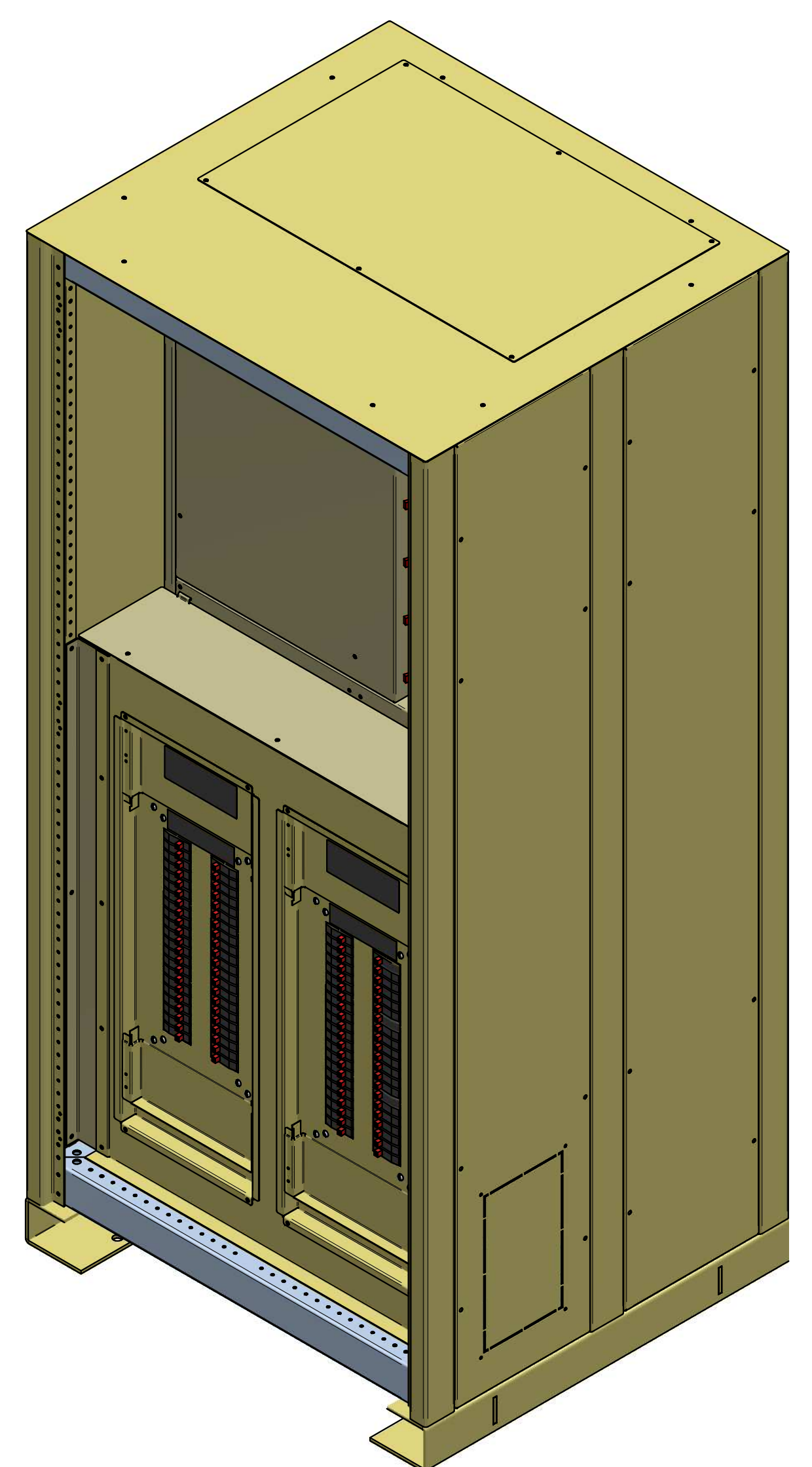
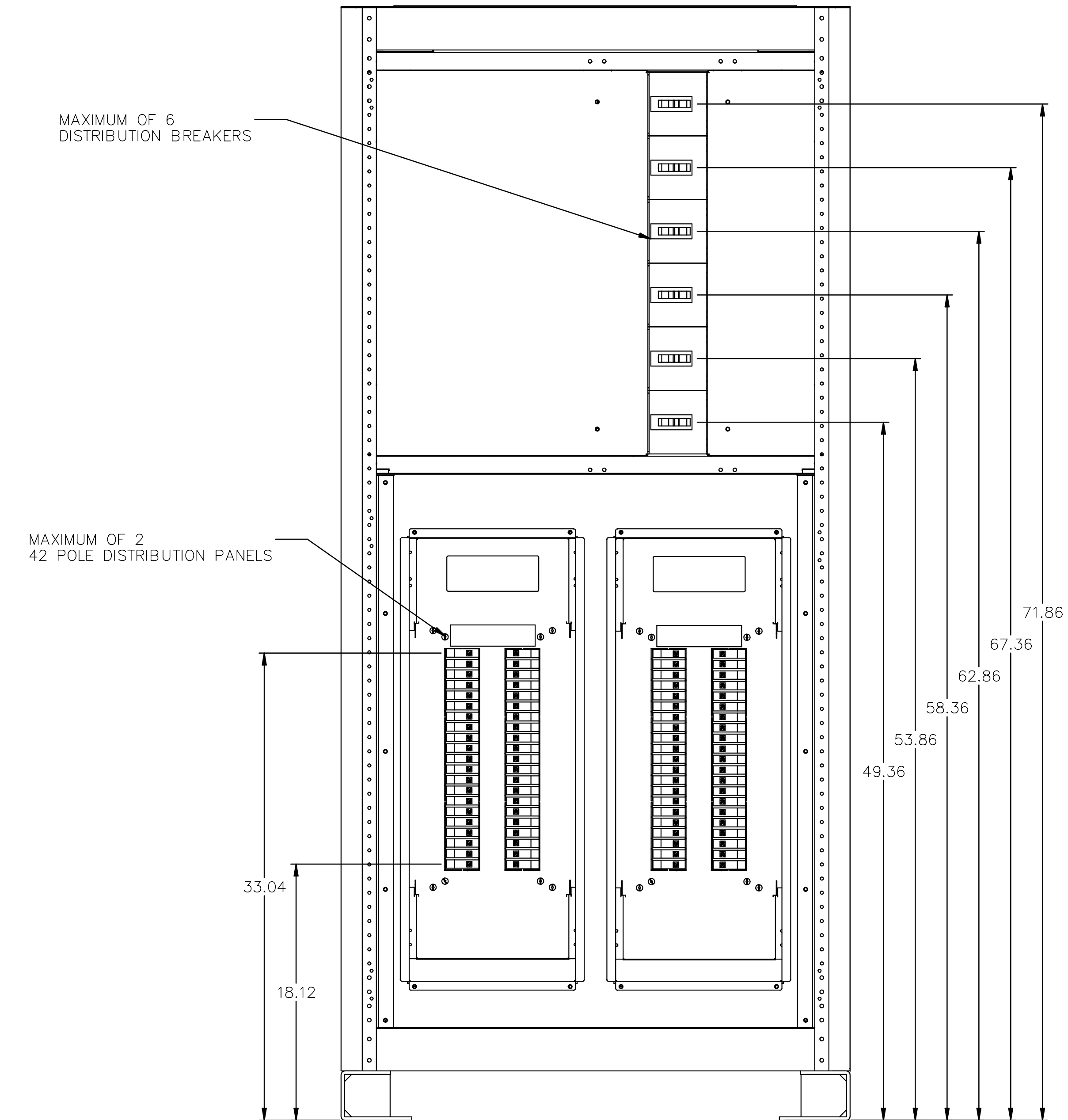
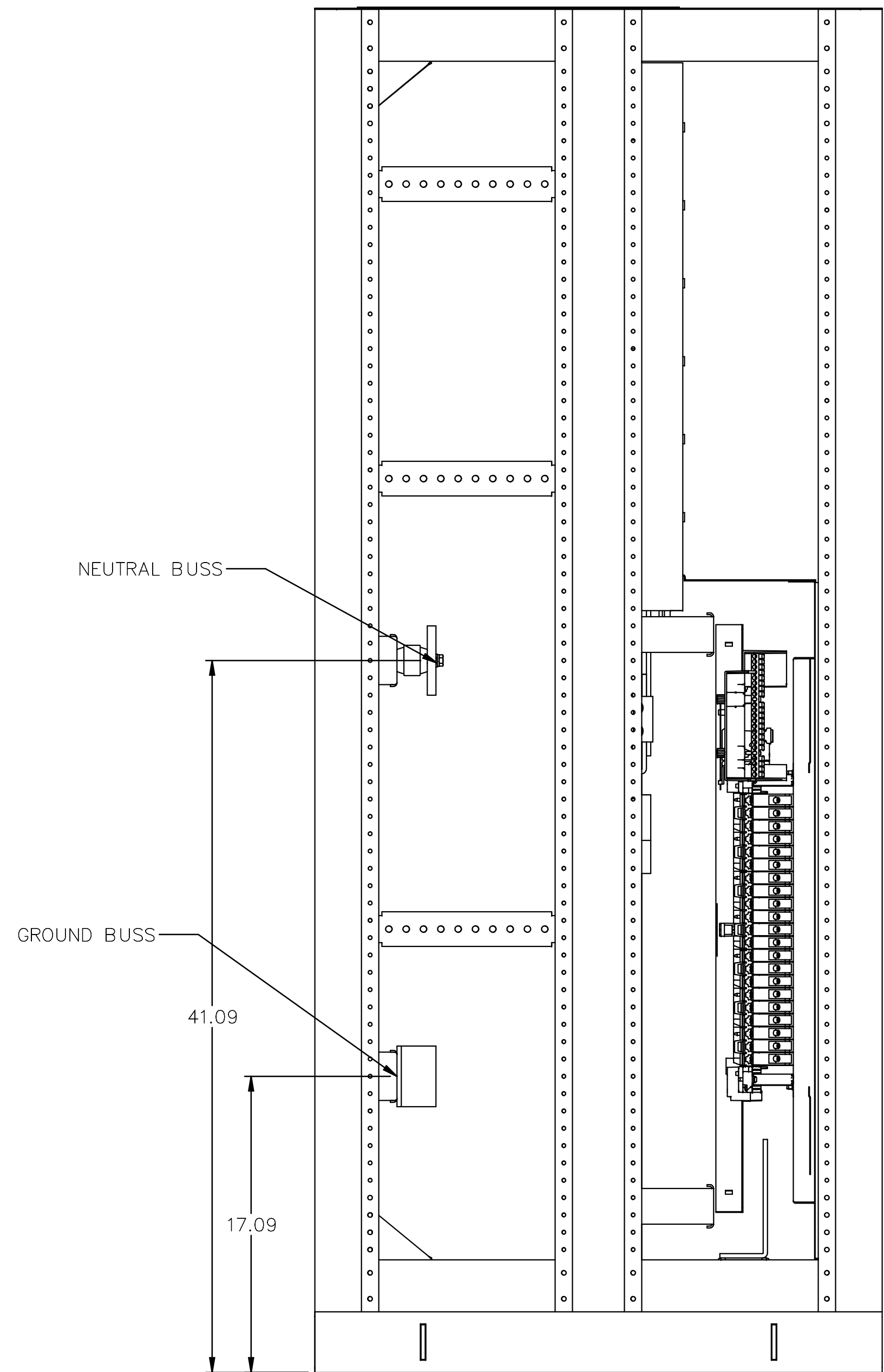
FRONT VIEW



NOTES:
 1. TOTAL WEIGHT 800LB

| REVISIONS |
|--|
| 1 INITIAL RELEASE GDJ 4/29/13 |
| 2 ADDED CABLE TIE SUPPORTS GDJ 06/26/13 |
| 3 REVISED BREAKER DEADFRONTS EGF 11/19/14 |

| | | | | |
|--|------------------|------------------------|-----------------|--|
| DIMENSIONS IN: IN [MM] REF | SCALE - NTS - | DRAFTER C. JOHNSTON | DATE 4/29/13 | <p>MITSUBISHI ELECTRIC</p> <p>TITLE 9900A PERIPHERAL DISTRIBUTION CABINET</p> <p>DWG. NO. UD-100374 SHEET 1 OF 2 REV. 3</p> |
| <small>PROPRIETARY</small> This document is the property of Mitsubishi Electric Power Products, Inc. and contains proprietary and confidential information which must not be duplicated, used or disclosed other than as expressly authorized by Mitsubishi Electric Power Products, Inc. | | CHECKED N. RIEMER | DATE 4/29/13 | |
| QUALITY CONTROL VALIDATION STAMP | | ENGINEER E. FALK | DATE 4/29/13 | |
| | | APPROVED K. BEAMER | DATE 5/28/13 | |



| REVISIONS |
|--|
| 1 INITIAL RELEASE GDJ 4/29/13 |
| 2 ADDED CABLE TIE SUPPORTS GDJ 06/26/13 |
| 3 REVISED BREAKER DEADFRONTS EGF 11/19/14 |

| | | | | |
|---|-------|------------------------|------|--|
| DIMENSIONS IN: IN [MM] REF | SCALE | DRAFTER C. JOHNSTON | DATE | <p>MITSUBISHI ELECTRIC</p> <p>TITLE 9900A PERIPHERAL DISTRIBUTION CABINET</p> <p>DWG. NO. UD-100374 SHEET 2 OF 2 REV. 3</p> |
| <small>PROPRIETARY</small> <small>This document is the property of Mitsubishi Electric Power Products, Inc. and contains proprietary and confidential information which must not be duplicated, used or disclosed other than as expressly authorized by Mitsubishi Electric Power Products, Inc.</small> | | CHECKED | DATE | |
| <small>QUALITY CONTROL VALIDATION STAMP</small> | | ENGINEER | DATE | |
| | | APPROVED | DATE | |