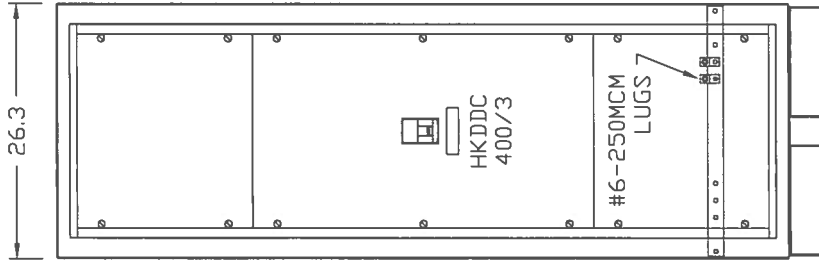
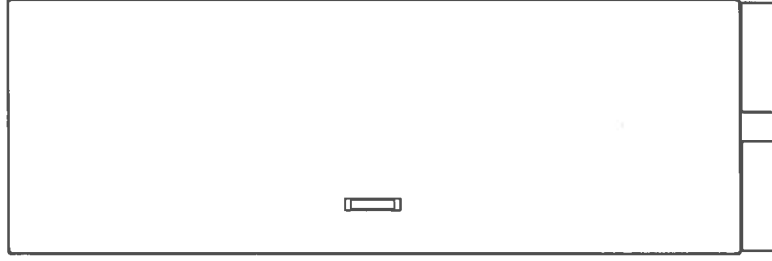


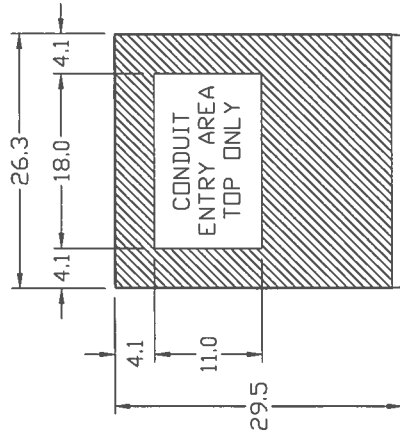
LEFT SIDE VIEW  
SIDE COVER REMOVED



FRONT VIEW  
DOOR REMOVED



FRONT VIEW  
DOOR SHOWN



PLAN VIEW  
CONDUIT ENTRY DETAIL

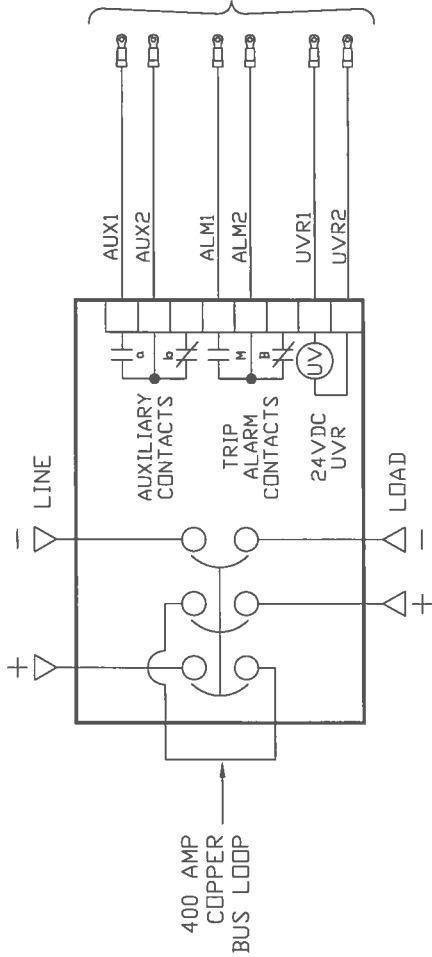
This Document Contains Proprietary and Confidential Information. Duplication, reproduction or use of this document or its contents in any form other than as expressly permitted by Kinney Electrical Mfg. Co., is prohibited.

**MITSUBISHI ELECTRIC POWER PRODUCTS, INC.**  
**WARRENDALE, PA**

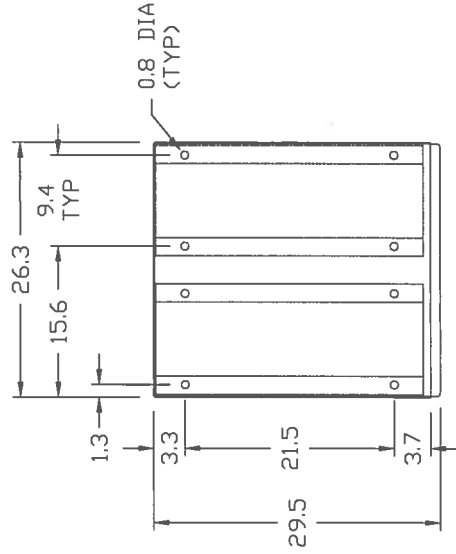
REVISIONS		PART NO.	SEE TABLE
1	REVISED TITLE BLOCK (RSH) 01-04-11	DESCRIPTION	360V & 480V DC LANDING CABINET - 400 AMP MAX
2	REVISED TITLE BLOCK 08.23.13 JAP	MEPPI APPROVED	EMM <i>[Signature]</i> 9/10/13
		DATE	01-18-2001
		DRAWN BY	RFM
		KINNEY APPROVED	RFM
		CAD FILE	DCF97000400A01
		DRAWING NO.	M0000146
		REVISION	2
		SHEET	1 OF 2

DC LANDING CABINET - 400 AMPERES

PART NUMBER	UPS SERIES	KVA	BREAKER TRIP UNIT	BREAKER CATALOG NUMBER	LINE CONNECTIONS PER POLE	LOAD CONNECTIONS PER POLE
LB-360-0300B4-9-4	9700	100	300 AMPS	HKDDC3300-C05-T06	(8) #6-350MCM	(2) #6-350MCM
LB-360-0400B4-9-4	9700	150	400 AMPS	HKDDC3400-C05-T06	(8) #6-350MCM	(2) #6-350MCM
LB-480-0200B4-9-4	9900	80	200 AMPS	HKDDC3200-C05-T06	(8) #6-350MCM	(2) #6-350MCM
LB-480-0225B4-9-4	9800AE/9900A	100	225 AMPS	HKDDC3225-C05-T06	(8) #6-350MCM	(2) #6-350MCM
LB-480-0350B4-9-4	9800AE/9900A	150	350 AMPS	HKDDC3350-C05-T06	(8) #6-350MCM	(2) #6-350MCM



14'-#14 AWG. SIS VW-1.  
#4 SCREW RING TERMINALS  
AND WIRE MARKERS PROVIDED  
ON BOTH ENDS.



**ENCLOSURE NOTES:**  
 SERVICE: LB-97: 360VDC, LB-98: 480VDC.  
 ENCLOSURE: NEMA 1 (UL 50 LISTED ENCLOSURE).  
 FRAME: BOLT TOGETHER TRI-SQUARE FORMED CHANNEL OF 10 GAUGE STEEL.  
 DOOR: 12 GAUGE PAINTED STEEL EQUIPPED WITH MITSUBISHI HANDLE WITH THREE POINT CATCH.  
 FINISH: MITSUBISHI BEIGE POLYESTER POWDERCOAT APPLIED TO SURFACES TREATED WITH AN IRON PHOSPHATE AND CHROME FREE SEALER.  
 BUS BAR: ELECTROLYTIC COPPER OF 98% CONDUCTIVITY, BASED ON 1000 AMPS PER SQUARE INCH DENSITY, SILVER PLATED.  
 WIRE BENDING GUTTER: MEETS OR EXCEEDS NEC TABLES 312-6(a), 312-6(b).  
 BREAKER: CUTLER-HAMMER HKDDC 400 AMP FRAME, 3 POLE. BREAKER EQUIPPED WITH THERMAL-MAGNETIC TRIP UNIT (SEE TABLE), TWO AUXILIARY CONTACTS, TWO ALARM CONTACTS, AND 24VDC UNDER VOLTAGE RELEASE.  
 BREAKER RATING: 35,000 A. I. C. AT 600VDC.  
 LABELING: CABINET PROVIDED WITH UL 891 LABEL.

MITSUBISHI ELECTRIC POWER PRODUCTS, INC.  
WARRENDALE, PA

PART NO. SEE TABLE

REVISIONS	
1	ADD 9800AED PART, REV (B) RATING & LABEL, REMOVE AMP CORN & ADD RING TERM 07-18-03
2	REVISED NOTES (RSH) 12-19-06
3	REV LINE & LOAD COLUMN HEADINGS & TITLE BLOCK, REMOVED WIRING LABEL (RSH) 01-04-11
4	REVISED TITLE BLOCK AND PART NUMBERS, EXTRA ITEM WAS ADDED. 08.23.13 JAP

DESCRIPTION	360V & 480V DC LANDING CABINET - 400 AMP MAX	REVISION	4
MEPPI APPROVED	EMM <i>EMM</i> 9/10/13	KINNEY APPROVED	RFM
DATE	01-18-2001	CAD FILE	DCF97000400A01
DRAWN BY	RFM	DRAWING NO.	M0000146
		SHEET	2 OF 2