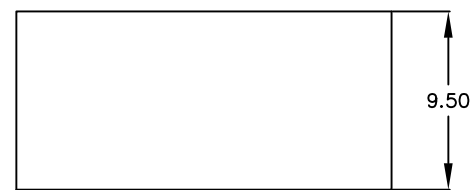


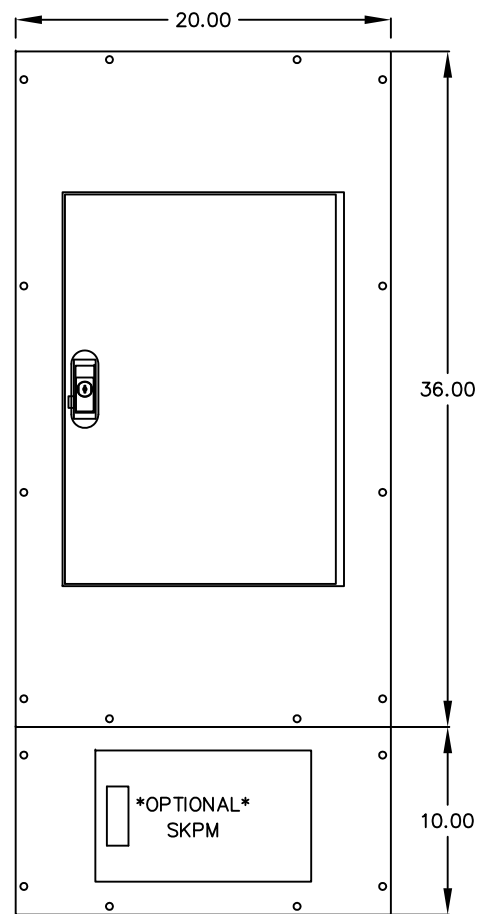
DWG. No. UD100105

NAMEPLATE LEGEND	
ITEM	DESCRIPTION
NP1	UPS BYPASS INPUT ISOLATION
NP2	TIE (ISOLATION) BREAKER FOR MAINTENANCE BYPASS OPERATION
NP3	UPS OUTPUT ISOLATION

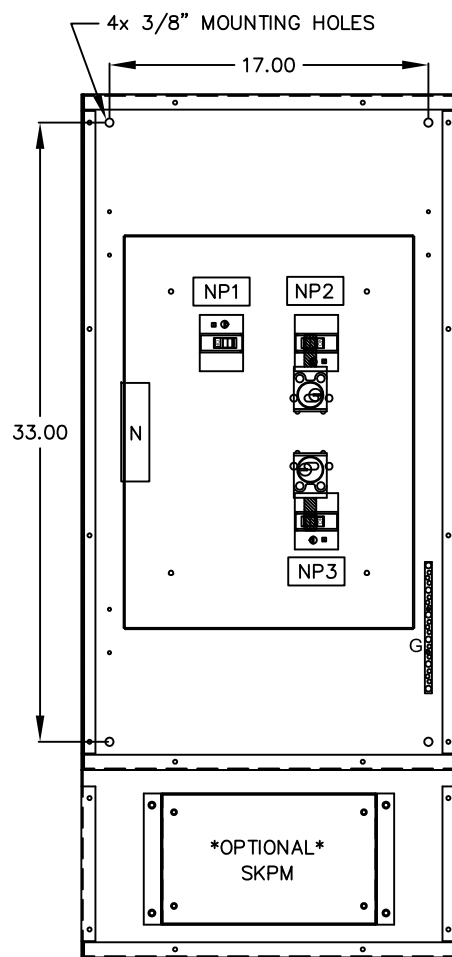
CIRCUIT BREAKERS	
UPS kVA	DESCRIPTION
10kVA	SIEMENS TYPE ED, 40 AF, 3 POLE, 10KAIC @ 120/208
20kVA	SIEMENS TYPE ED, 80 AF, 3 POLE, 10KAIC @ 120/208
30kVA	SIEMENS TYPE ED, 110 AF, 3 POLE, 10KAIC @ 120/208



PLAN VIEW



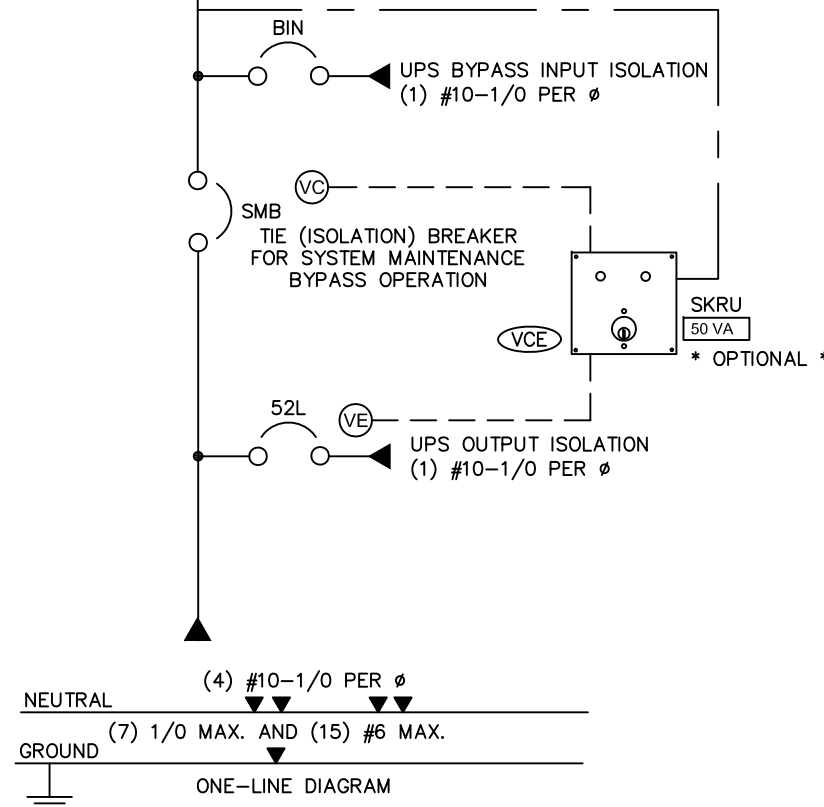
FRONT VIEW



FRONT VIEW WITH TRIM REMOVED

ONE-LINE DIAGRAM

UTILITY FEED MAIN INPUT
(1) #10-1/0 PER Ø



SPECIFICATIONS

- S1. SYSTEM RATING:
VOLTAGE: PRIMARY: 120/208, 3P/4W, 60Hz
SECONDARY: 208V, 3P/4W 60Hz
AMPERES: 10kVA-40AT, 20kVA-80AT, 30kVA-110AT
- S2. INTERRUPT RATING: THE SHORT CIRCUIT INTERRUPTING CAPABILITY IS 10,000 RMS SYMMETRICAL AMPERES AT 208 VOLTS, BASED ON THE LOWEST SHORT CIRCUIT CURRENT RATING OF THE INDIVIDUAL OR SERIES RATED COMBINATION DEVICE INSTALLED AT TIME OF MANUFACTURE. THE BUSSING STRUCTURE IS CONSTRUCTED TO WITHSTAND FAULTS OF 65,000 RMS SYMMETRICAL AMPERES.

GENERAL NOTES:

- 1. NEMA 1 CONSTRUCTION, BUILT TO UL891, LISTED TO UL1778. TO BE IN ACCORDANCE WITH MITSUBISHI BYPASS PANEL SPECIFICATION U-ENS00004.
- 2. FINISH: POWDER COAT, MITSUBISHI BLACK.
- 3. STANDARD: KIRK KEY (AE-ENP00032)
OPTIONAL: SKPM (AE-ENP00033).
- 4. SKPM IS A FACTORY INSTALLED OPTION ONLY.

PART NUMBER BREAK DOWN
UD100105-10S3KNNO

- Q (NO XFMR)
- N (NONE)
- N (NONE)
- INTERLOCK TYPE; KQ (KIRK KEY), OR E (SKRU)
- NUMBER OF BREAKERS
- BREAKER MFG; S (SIEMENS)
- KVA

REVISIONS
1. AS BUILT TRD 06-02-11
2. MINOR REV. EGF 02-02-12
3. ADDED SKRU EGF 05-12-12
4. ADDED CB TABLE DDR 11-02-12
5. FIXED CB TABLE EGF 11-20-13
6. ADDED # OF BREAKERS EGF 12-15-14

DIM. IN: INCHES	SCALE: NTS	DRAFTER: G. JOHNSTON	DATE: 06/02/11
<small>PROPRIETARY THIS DOCUMENT IS PROPERTY OF MITSUBISHI ELECTRIC POWER PRODUCTS INC. AND CONTAINS PROPRIETARY AND CONFIDENTIAL INFORMATION WHICH MUST NOT BE DUPLICATED, USED OR DISCLOSED OTHER THAN AS EXPRESSLY AUTHORIZED BY MITSUBISHI ELECTRIC POWER PRODUCTS INC.</small>		CHECKED: E. FALK	DATE: 06/02/11
REF. DWG. No.		ENGINEER: E. FALK	DATE: 06/02/11
FILE LOCATION:		APPROVED: E. FALK	DATE: 06/02/11
MITSUBISHI ELECTRIC POWER PRODUCTS, INC. WARRENDALE, PA.			TITLE: 1100 SERIES PERIPHERAL 10-30kVA, WALL MOUNTED BYPASS DWG. No. UD100105 SHEET 1 OF 1 REV: 6