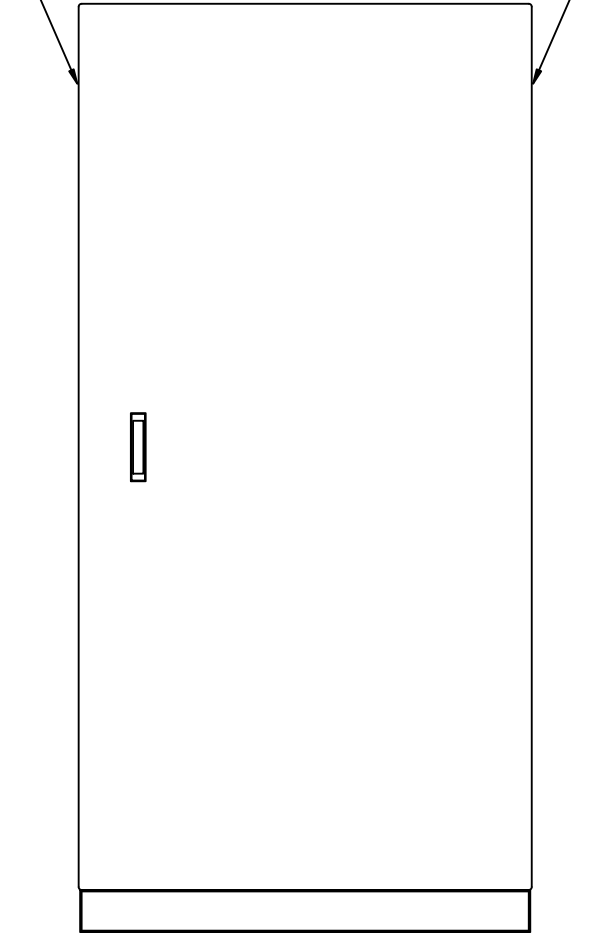
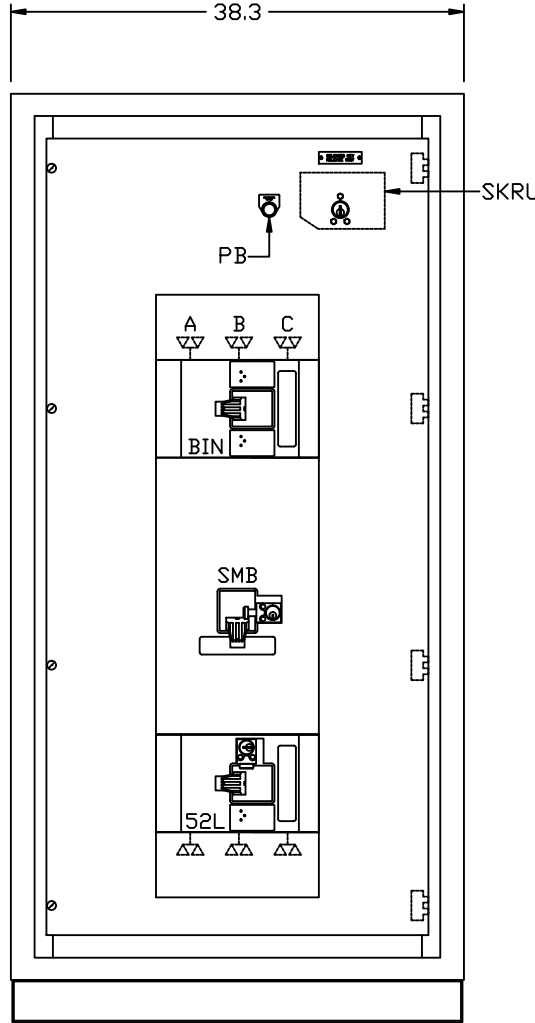


REMOVABLE LEFT &
RIGHT SIDE COVERS



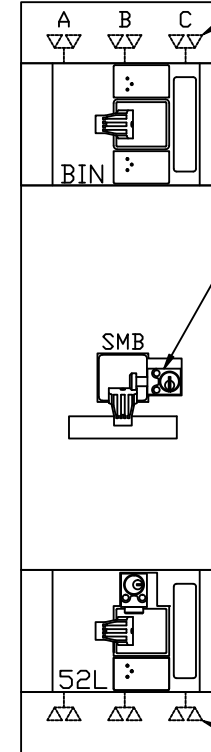
FRONT VIEW
DOOR SHOWN

38.3



FRONT VIEW
DOOR REMOVED

UTILITY FEED



PANEL WITH INTERLOCKS

1200 AMP M.L.D.
W/ (4) #4-600MCM
LUGS PER PHASE
(TYP)

KEY INTERLOCK (2)

1200 AMP M.L.D.
W/ (4) #4-600MCM
LUGS PER PHASE
(TYP)

This Document Contains Proprietary and Confidential Information.
Duplication, reproduction or use of this document or its contents in any form other than as expressly permitted by Kinney Electrical Mfg. Co., is prohibited.

MITSUBISHI ELECTRIC POWER PRODUCTS, INC.
WARRENDALE, PA

REVISIONS

PART NO. **SEE TABLE**

1 BREAKER CALLOUT BIN WAS MBN (RSH0 04-13-11)

DESCRIPTION **3 BRK FREE STANDING MBP PANEL - 1200 AMP MAX. W/ SKRU**

MEPPI APPROVED

KINNEY APPROVED

REVISION **1**

DATE **03-01-2011**

CAD FILE

DRAWING NO.

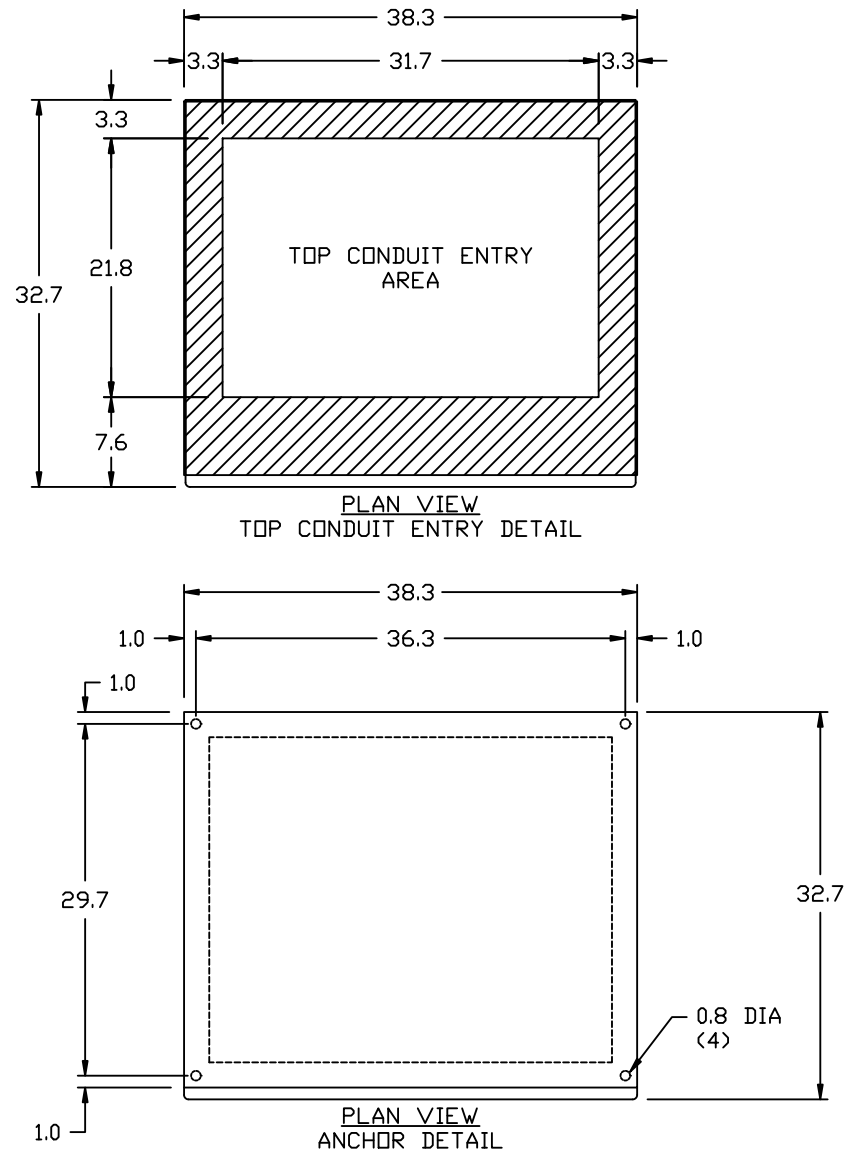
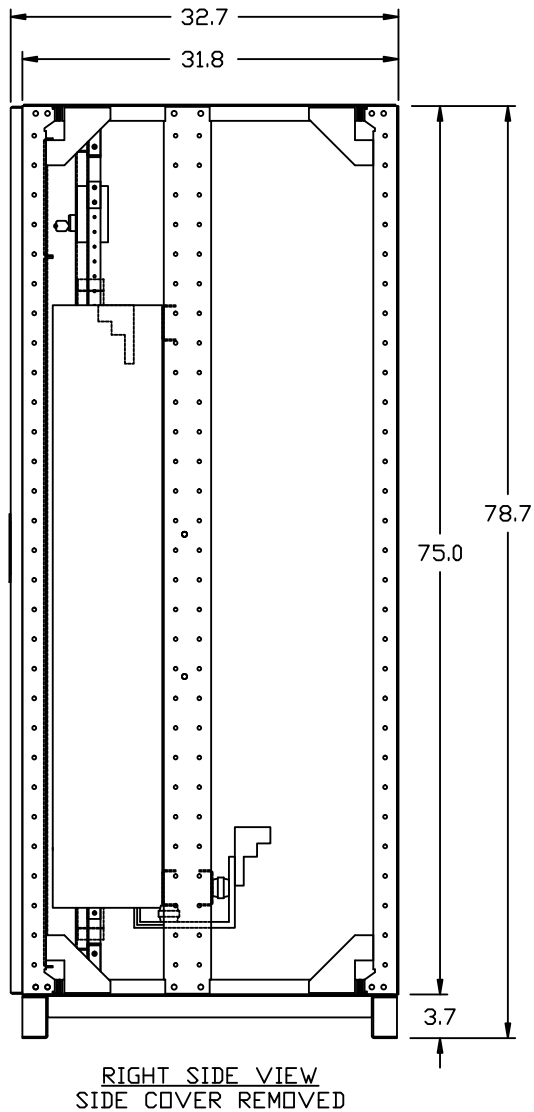
SHEET

DRAWN BY **ATD / RH**

MBF99001200A05

M0000447

1 OF **3**



This Document Contains Proprietary and Confidential Information.
Duplication, reproduction or use of this document or its contents in any form other than as expressly permitted by Kinney Electrical Mfg. Co., is prohibited.

MITSUBISHI ELECTRIC POWER PRODUCTS, INC.
WARRENDALE, PA

REVISIONS			PART NO. SEE TABLE			
1	REVISED RIGHT SIDE VIEW AND TOP CONDUIT ENTRY DETAIL (REV) 05-08-11		DESCRIPTION 3 BRK FREE STANDING MBP PANEL - 1200 AMP MAX. W/ SKRU			
			MEPPI APPROVED	KINNEY APPROVED	REVISION 1	
			DATE 03-01-2011	CAD FILE	DRAWING NO.	SHEET
			DRAWN BY ATD / RH	MBF99001200A05	M0000447	2 OF 3

3 BREAKER MAINTENANCE BYPASS PANEL (MBP) 1200 AMPERES

PART NUMBER	UPS SERIES	KVA	BIN BREAKER		SMB/52L BREAKERS		BREAKER LUGS/PHASE	SERVICE	A. I. C. RATING	SKRU WIRING DIAGRAM
			TYPE	AMPERES	TYPE	AMPERES				
FB993-CDP-1200-480E	9900B	750	CND	1200	ND	1200	(4) 4/0-500MCM	480V	50,000	M0000411

PART NUMBER:

FB993-X X X-1200-480 E

A.I.C. RATING OPTION

ACCESSORY OPTION 1

ACCESSORY OPTION 2

INTERLOCK OPTION

A. I. C. RATING	480V	RATING CODE
35,000	--	--
50,000	ND/CND	--
65,000	HND/CHND	H
100,000	NDC/CNDC	U

A.I.C. RATING CODES:

H - HIGH INTERRUPTING
U - ULTRA HIGH INTERRUPTING

INTERLOCK OPTION:

N - NONE
KO - KEY INTERLOCK (LOCKED OPEN)

ACCESSORY CODES:

- 1 - 1a/1b AUXILIARY SWITCH
- 2 - 2a/2b AUXILIARY SWITCH
- 3 - 24VDC UNDER VOLTAGE RELEASE
- 4 - 1m/1b ALARM/LOCKOUT SWITCH
- 5 - 1a/1b AUXILIARY & 1m/1b ALARM SWITCH

NOTES:

- 1. ACCESSORIES NORMALLY INSTALLED ON SMB.
- 2. PUT LOWEST CODE IN OPTION 1, i.e. 12, 24.

ENCLOSURE NOTES:

ENCLOSURE: NEMA 1 (UL 50 LISTED ENCLOSURE).

BOX: 12 GAUGE PAINTED STEEL, CONTINUOUSLY WELDED SEAMS AND CORNERS, NO KNOCKOUTS.

DOOR: 12 GAUGE PAINTED STEEL EQUIPPED WITH MITSUBISHI HANDLE WITH THREE POINT CATCH.

FINISH: MITSUBISHI BEIGE POLYESTER POWDERCOAT APPLIED TO SURFACES TREATED WITH AN IRON PHOSPHATE AND CHROME FREE SEALER.

MAINTENANCE BYPASS PANEL NOTES:

KINNEY PANEL TYPE: CDP (UL 67 LISTED INTERIOR)

SERVICE: SEE TABLE ABOVE.

BUS: ELECTROLYTIC COPPER OF 98% CONDUCTIVITY, BASED ON 1000 AMPS PER SQUARE INCH DENSITY.

WIRE BENDING GUTTER: MEETS OR EXCEEDS NEC TABLES 312-6(a), 312-6(b).

(BIN) BREAKER: CUTLER-HAMMER 1200 AMP FRAME, 3 POLE, DIGITRIP RMS 310LS TRIP, 100% RATED, TRIP AS INDICATED; SEE TABLE ABOVE FOR BREAKER TYPE, AMPERES, AND A.I.C. RATING.

(SMB & 52L) BREAKERS: CUTLER-HAMMER 1200 AMP FRAME, 3 POLE, DIGITRIP RMS 310LS TRIP, TRIP AS INDICATED; SEE TABLE ABOVE FOR BREAKER TYPE, AMPERES, LUGS PER PHASE AND A.I.C. RATING.

KEY INTERLOCK: KIRK TYPE FL, BREAKERS ARE INTERLOCKED IN THE OPEN POSITION.

SOLENOID KEY RELEASE: KIRK TYPE SKRU, 110V COIL.

This Document Contains Proprietary and Confidential Information.

Duplication, reproduction or use of this document or its contents in any form other than as expressly permitted by Kinney Electrical Mfg. Co., is prohibited.

**MITSUBISHI ELECTRIC POWER PRODUCTS, INC.
WARRENDALE, PA**

REVISIONS				PART NO.	SEE TABLE			
1	REMOVED BREAKER TERMINAL LUG NOTE, REVISED RATING TABLE, ADDED	4	REMOVED 600V FROM RATING TABLE (R#) 05-25-11	DESCRIPTION	3 BRK FREE STANDING MBP PANEL - 1200 AMP MAX. W/ SKRU			
	BREAKER LUGS PER / PHASE AND WIRING DIAGRAM TO TABLE (R#) 04-19-11			MEPPI APPROVED	KINNEY APPROVED		REVISION	4
2	REVISED TABLE HEADING, BIN WAS MBN (R#) 05-05-11			DATE	03-01-2011	CAD FILE	DRAWING NO.	SHEET
3	ADDED SKRU TO WIRING DIAGRAM IN TABLE (R#) 05-24-11			DRAWN BY	ATD / RH	MBF99001200A05	M0000447	3 OF 3