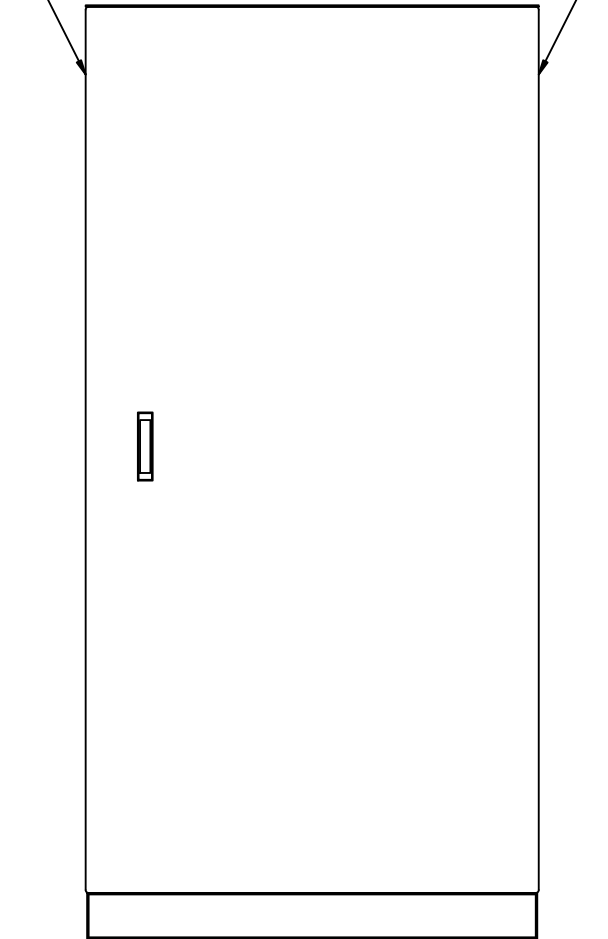
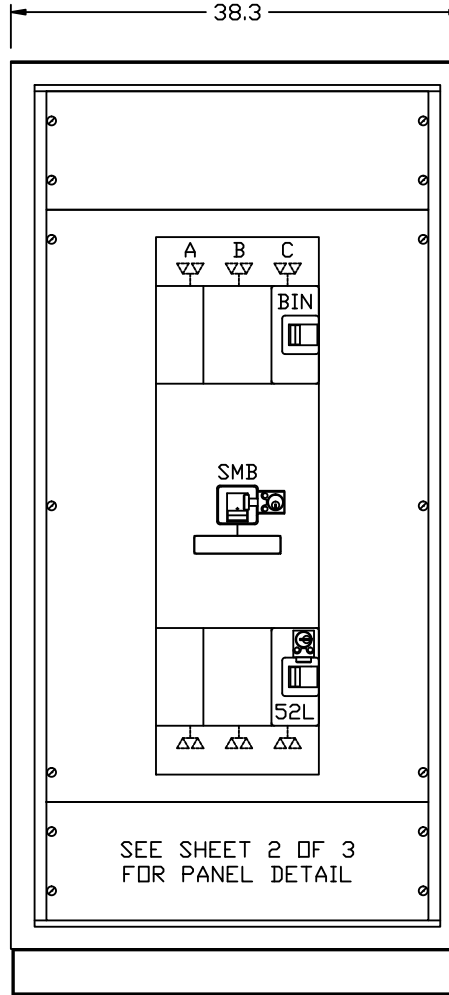


REMOVABLE RIGHT AND LEFT SIDE COVERS

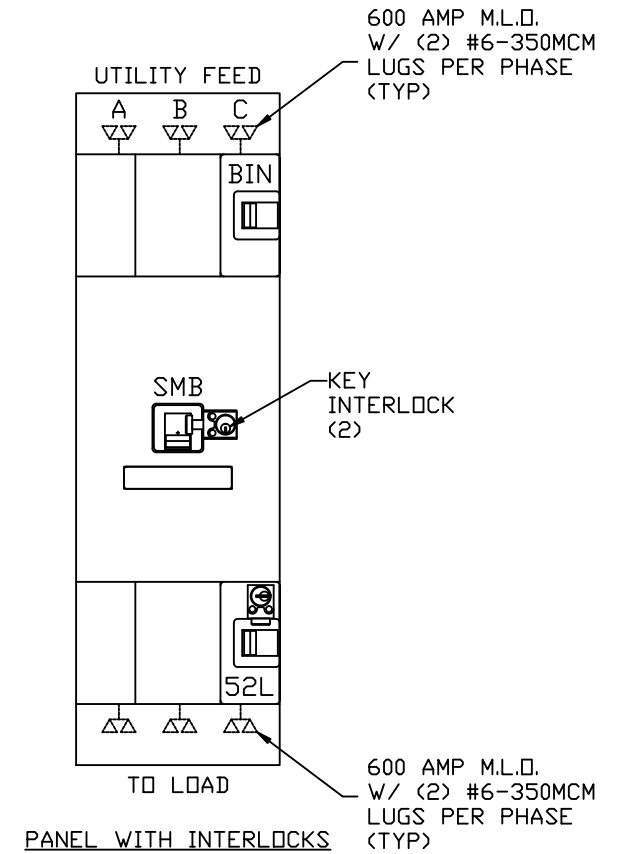


FRONT VIEW
DOOR SHOWN

38.3



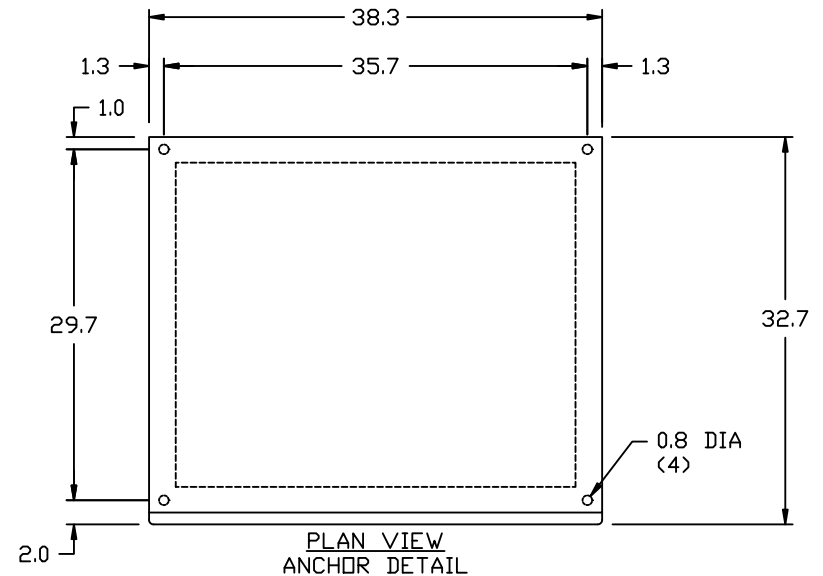
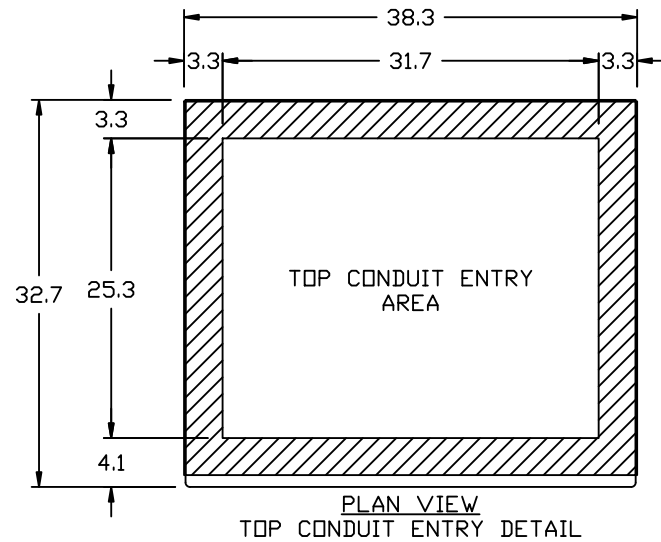
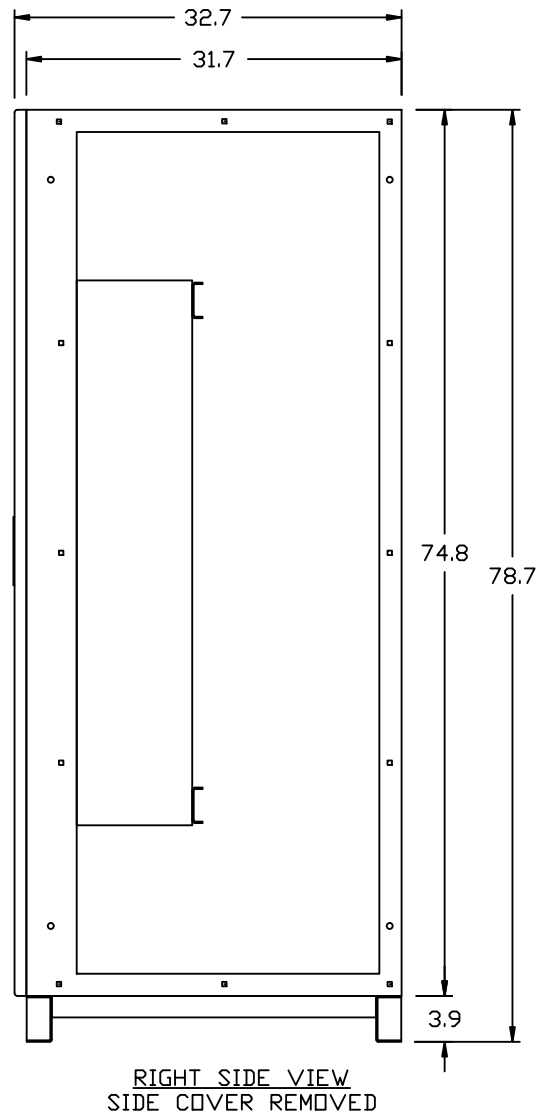
FRONT VIEW
DOOR REMOVED



This Document Contains Proprietary and Confidential Information.
Duplication, reproduction or use of this document or its contents in any form other than as expressly permitted by Kinney Electrical Mfg. Co., is prohibited.

MITSUBISHI ELECTRIC POWER PRODUCTS, INC.
WARRENDALE, PA

REVISIONS			PART NO. SEE TABLE		
1	BREAKER CALLOUT BIN WAS MBN (RSH) 04-13-11		DESCRIPTION 3 BRK FREE STANDING MBP PANEL - 600 AMP MAX. W/ KEY INTERLOCK (KO)		
			MEPPI APPROVED	KINNEY APPROVED	REVISION 1
			DATE 03-01-2011	CAD FILE	DRAWING NO.
			DRAWN BY ATD / RH	MBF99000600A07	M0000438
					SHEET 1 OF 3



This Document Contains Proprietary and Confidential Information.
Duplication, reproduction or use of this document or its contents in any form other than as expressly permitted by Kinney Electrical Mfg. Co., is prohibited.

MITSUBISHI ELECTRIC POWER PRODUCTS, INC.
WARRENDALE, PA

REVISIONS			PART NO. SEE TABLE			
1	REVISED RIGHT SIDE VIEW & ANCHOR DETAIL (R&H) 04-21-11		DESCRIPTION 3 BRK MBP PANEL FREE STANDING - 600 AMP MAX. W/ KEY INTERLOCK (KO)			
			MEPPI APPROVED	KINNEY APPROVED	REVISION 1	
			DATE 03-01-2011	CAD FILE	DRAWING NO.	SHEET
			DRAWN BY ATD / RH	MBF99000600A07	M0000438	2 OF 3

