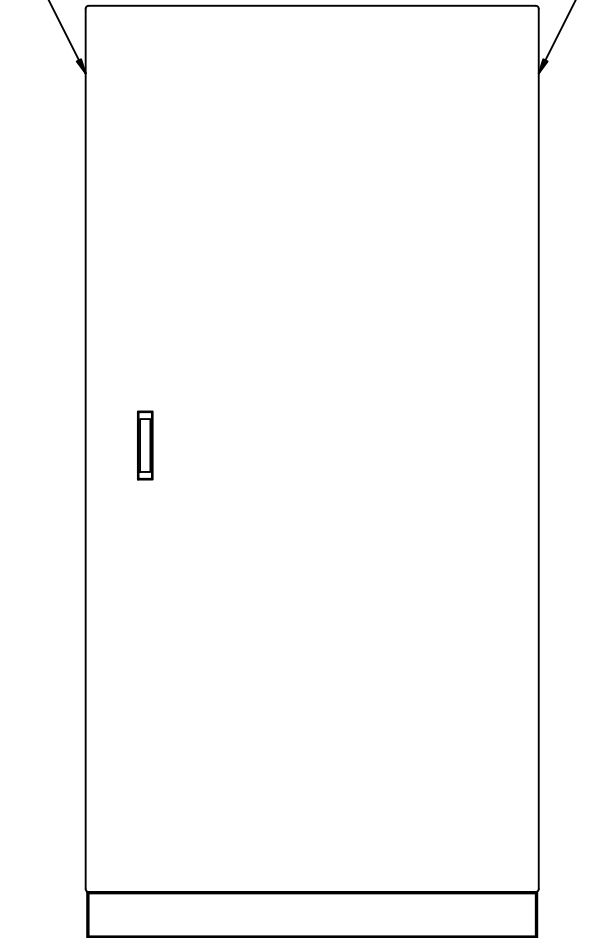
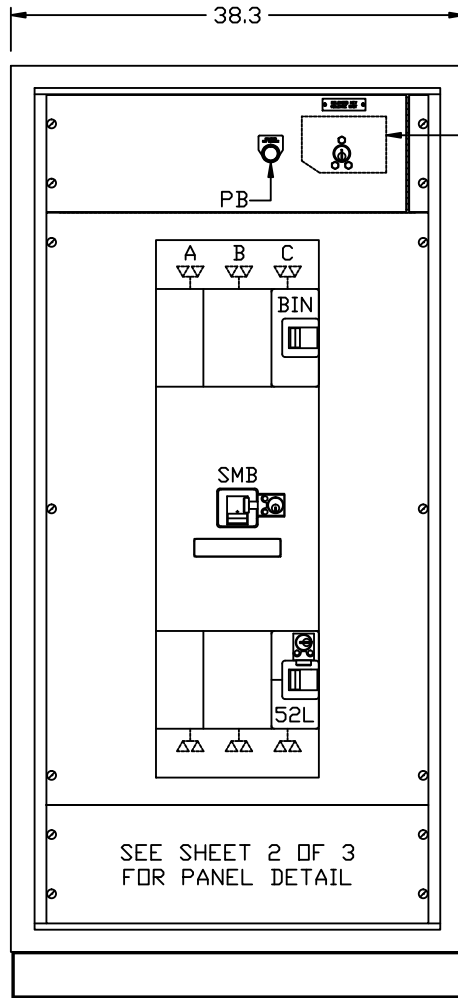


REMOVABLE RIGHT AND LEFT SIDE COVERS

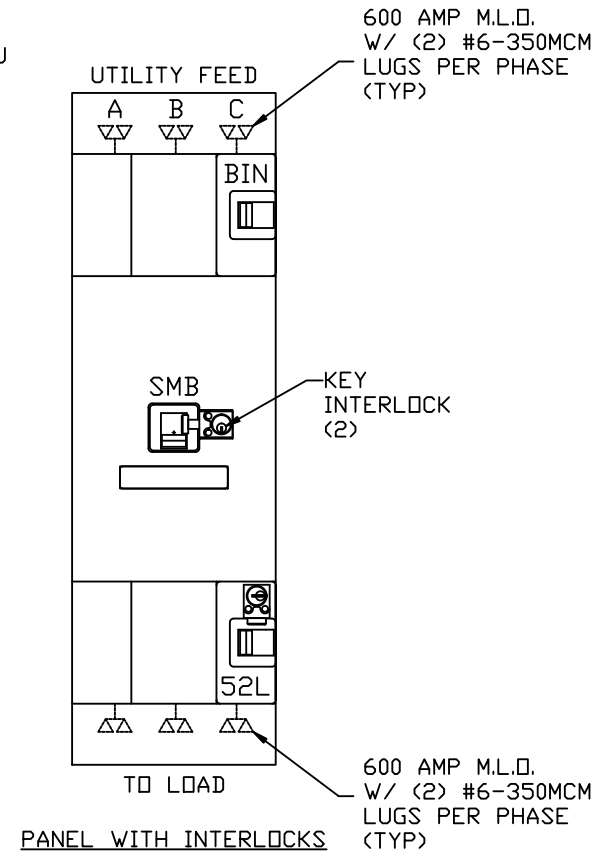


FRONT VIEW
DOOR SHOWN



SEE SHEET 2 OF 3
FOR PANEL DETAIL

FRONT VIEW
DOOR REMOVED

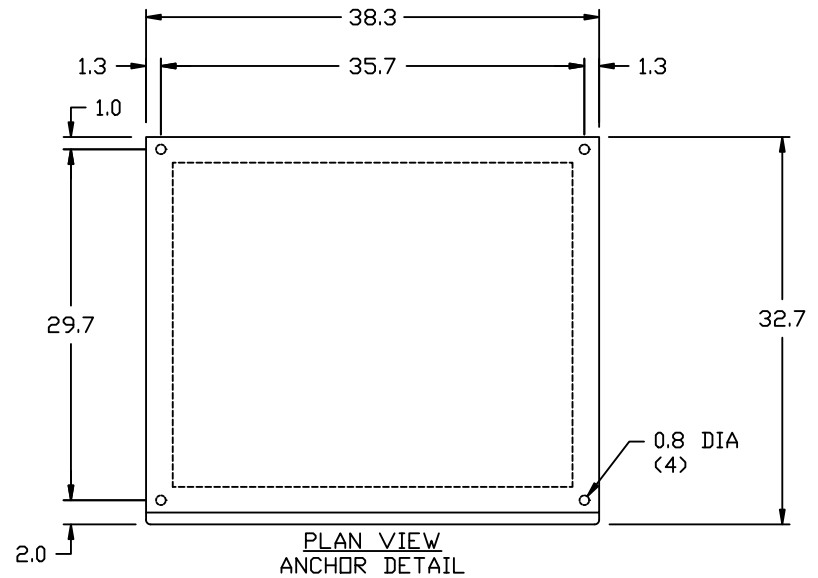
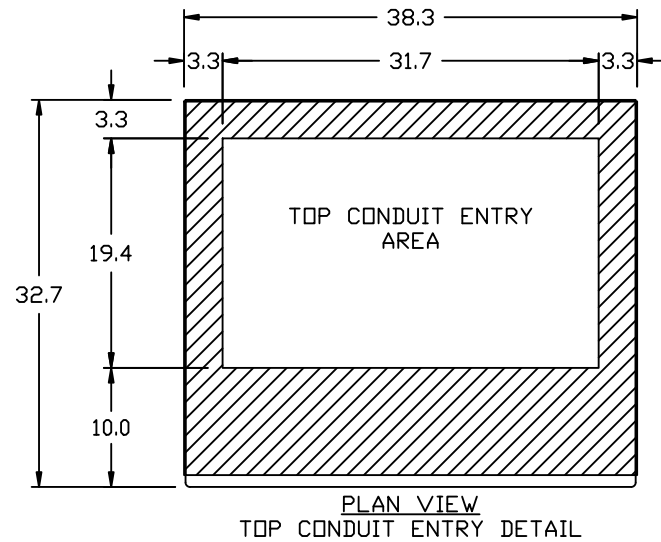
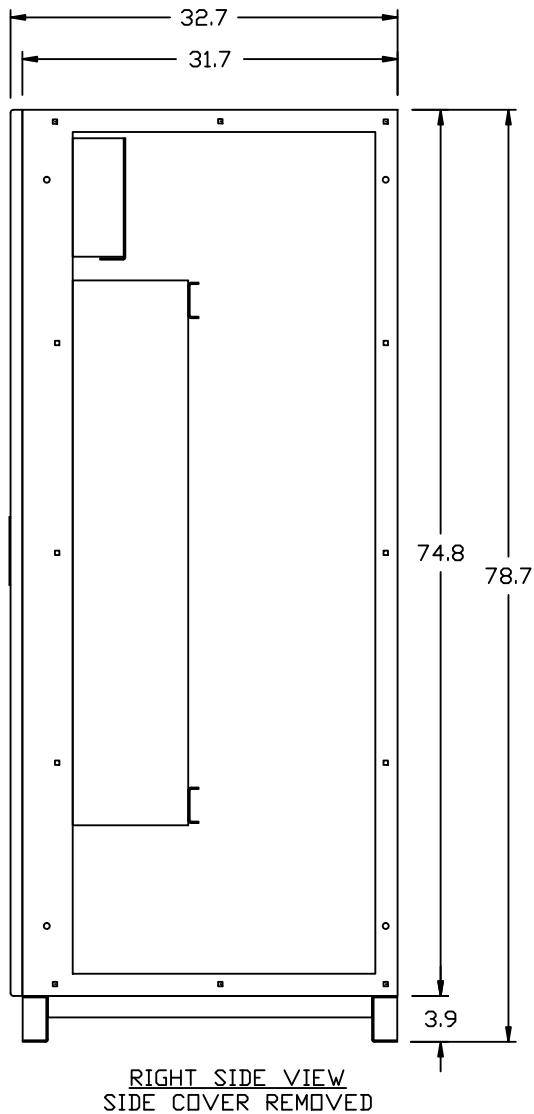


PANEL WITH INTERLOCKS

This Document Contains Proprietary and Confidential Information.
Duplication, reproduction or use of this document or its contents in any form other than as expressly permitted by Kinney Electrical Mfg. Co., is prohibited.

MITSUBISHI ELECTRIC POWER PRODUCTS, INC.
WARRENDALE, PA

REVISIONS			PART NO. SEE TABLE		
1	BREAKER CALLOUT BIN WAS MBN (RSH) 04-13-11		DESCRIPTION 3 BRK FREE STANDING MBP PANEL - 600 AMP MAX. W/ SKRU		
			MEPPI APPROVED	KINNEY APPROVED	REVISION 1
			DATE 03-01-2011	CAD FILE	DRAWING NO.
			DRAWN BY ATD / RH	MBF99000600A08	M0000439
					SHEET 1 OF 3



This Document Contains Proprietary and Confidential Information.
Duplication, reproduction or use of this document or its contents in any form other than as expressly permitted by Kinney Electrical Mfg. Co., is prohibited.

MITSUBISHI ELECTRIC POWER PRODUCTS, INC.
WARRENDALE, PA

REVISIONS			PART NO. SEE TABLE		
1	REV BASE, TOP CONDUIT ENTRY & ANCHOR DETAILS (RSH) 04-21-11		DESCRIPTION 3 BRK FREE STANDING MBP PANEL - 600 AMP MAX. W/ SKRU		
			MEPPI APPROVED	KINNEY APPROVED	REVISION 1
			DATE 03-01-2011	CAD FILE	DRAWING NO.
			DRAWN BY ATD / RH	MBF99000600A08	M0000439
					SHEET 2 OF 3

3 BREAKER MAINTENANCE BYPASS PANEL (MBP) 600 AMPERE FRAME

PART NUMBER	UPS SERIES	KVA	BIN BREAKER		SMB/52L BREAKERS		BREAKER LUGS/PHASE	SERVICE	A. I. C. RATING	SKRU WIRING DIAGRAM
			TYPE	AMPERES	TYPE	AMPERES				
FB993-CDP-600-480E	9900B	300	LD	600	LD	500	(2) 3/0-350MCM	480V	35,000	M0000411

PART NUMBER:

FB993-X X X-600-480 E

A.I.C. RATING OPTION

ACCESSORY OPTION 1

ACCESSORY OPTION 2

INTERLOCK OPTION

A. I. C. RATING	480V	RATING CODE
35,000	LD/CLD	--
50,000	--	--
65,000	HLD	H
100,000	LDC	U
200,000	--	--

A.I.C. RATING CODES:

H - HIGH INTERRUPTING
U - ULTRA HIGH INTERRUPTING

INTERLOCK OPTION:

E - ELECTRICAL INTERLOCK

ACCESSORY CODES:

- 1 - 1a/1b AUXILIARY SWITCH
- 2 - 2a/2b AUXILIARY SWITCH
- 3 - 24VDC UNDER VOLTAGE RELEASE
- 4 - 1m/1b ALARM/LOCKOUT SWITCH
- 5 - 1a/1b AUXILIARY & 1m/1b ALARM SWITCH

NOTES:

- 1. ACCESSORIES NORMALLY INSTALLED ON SMB.
- 2. PUT LOWEST CODE IN OPTION 1, i.e. 12, 24.

ENCLOSURE NOTES:

ENCLOSURE: NEMA 1 (UL 50 LISTED ENCLOSURE).

BOX: 12 GAUGE PAINTED STEEL, CONTINUOUSLY WELDED SEAMS AND CORNERS, NO KNOCKOUTS.

DOOR: 12 GAUGE PAINTED STEEL EQUIPPED WITH MITSUBISHI HANDLE WITH THREE POINT CATCH.

FINISH: MITSUBISHI BEIGE POLYESTER POWDERCOAT APPLIED TO SURFACES TREATED WITH AN IRON PHOSPHATE AND CHROME FREE SEALER.

MAINTENANCE BYPASS PANEL NOTES:

KINNEY PANEL TYPE: CDP (UL 67 LISTED INTERIOR)

SERVICE: SEE TABLE ABOVE.

BUS: ELECTROLYTIC COPPER OF 98% CONDUCTIVITY, BASED ON 1000 AMPS PER SQUARE INCH DENSITY.

WIRE BENDING GUTTER: MEETS OR EXCEEDS NEC TABLES 312-6(a), 312-6(b).

BREAKERS: CUTLER-HAMMER THERMAL-MAGNETIC, 600 AMP FRAME, 3 POLE, TRIP AS INDICATED;

SEE TABLE ABOVE FOR BREAKER TYPE, AMPERES, LUGS PER PHASE AND A.I.C. RATING.

KEY INTERLOCKS: KIRK TYPE FL, BREAKERS ARE INTERLOCKED IN THE OPEN POSITION.

SOLENOID KEY RELEASE: KIRK TYPE SKRU, 110V COIL.

This Document Contains Proprietary and Confidential Information.

Duplication, reproduction or use of this document or its contents in any form other than as expressly permitted by Kinney Electrical Mfg. Co., is prohibited.

MITSUBISHI ELECTRIC POWER PRODUCTS, INC.
WARRENDALE, PA

REVISIONS				PART NO.	SEE TABLE		
1	REMOVED BREAKER TERMINAL LUG NOTE, ADDED BREAKER LUGS / PHASE	4	REMOVED 600V FROM RATING TABLE (RSH) 05-05-11	DESCRIPTION	3 BRK FREE STANDING MBP PANEL - 600 AMP MAX. W/ SKRU		
	WIRING DIAGRAM TO TABLE, REVISED INTERLOCK OPTION (RSH) 04-13-11			MEPPI APPROVED	KINNEY APPROVED		REVISION 4
2	BIN BREAKER WAS MBN (RSH) 04-21-11			DATE	03-01-2011	CAD FILE	DRAWING NO.
3	ADDED SKRU TO WIRING DIAGRAM IN TABLE (RSH) 05-24-11			DRAWN BY	ATD / RH	MBF99000600A08	M0000439
							3 OF 3