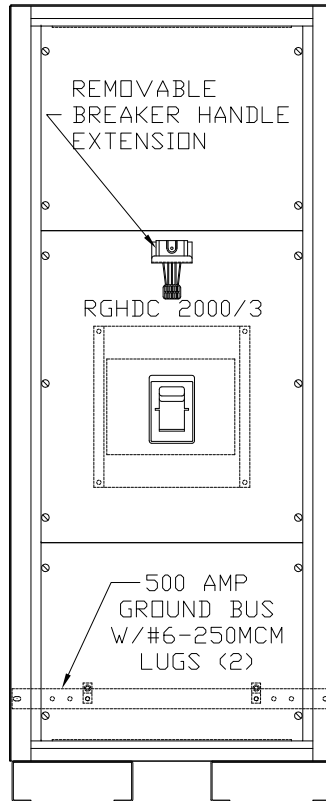
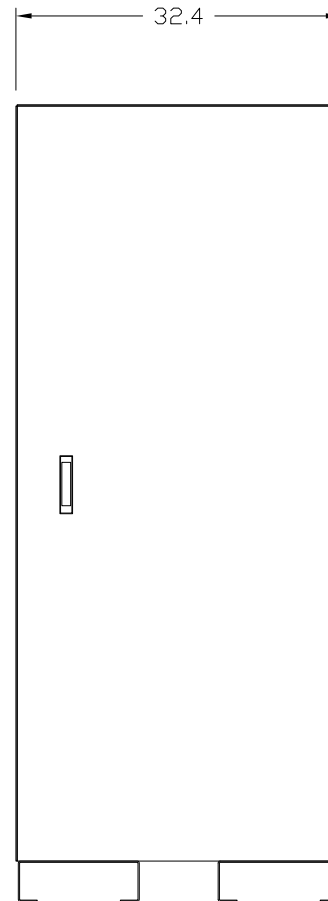


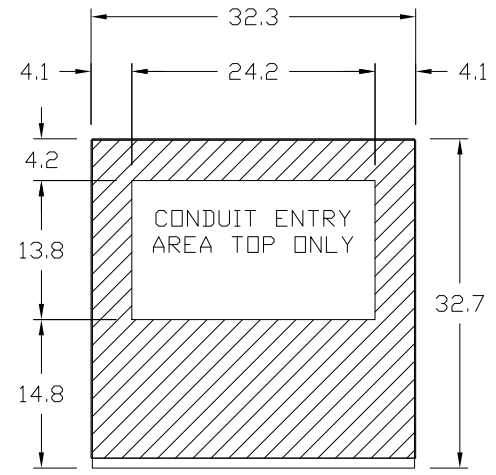
LEFT SIDE VIEW  
SIDE SHEET REMOVED



FRONT VIEW  
DOOR REMOVED



FRONT VIEW  
DOOR SHOWN



PLAN VIEW

This Document Contains Proprietary and Confidential Information.  
Duplication, reproduction or use of this document or its contents in any form other than as expressly permitted by Kinney Electrical Mfg. Co., is prohibited.

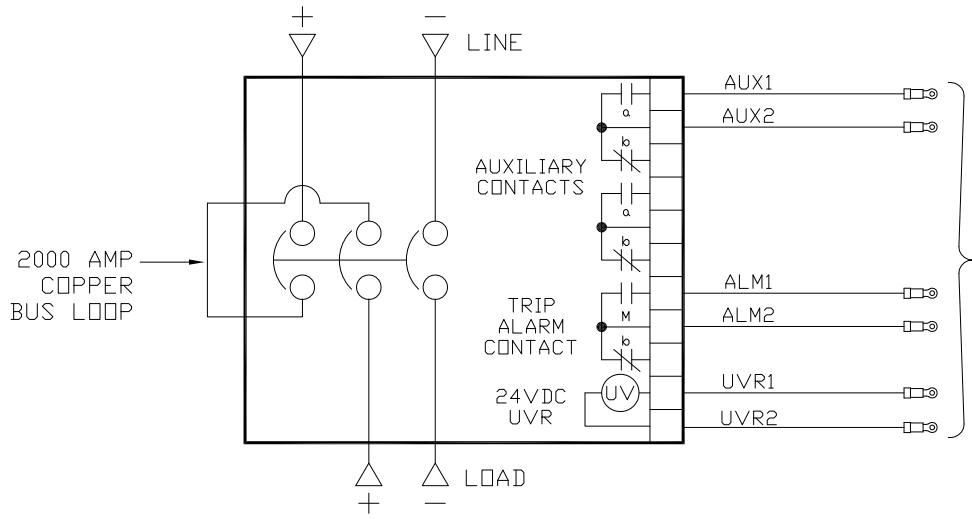
**MITSUBISHI ELECTRIC POWER PRODUCTS, INC.**  
**WARRENDALE, PA**

REVISIONS

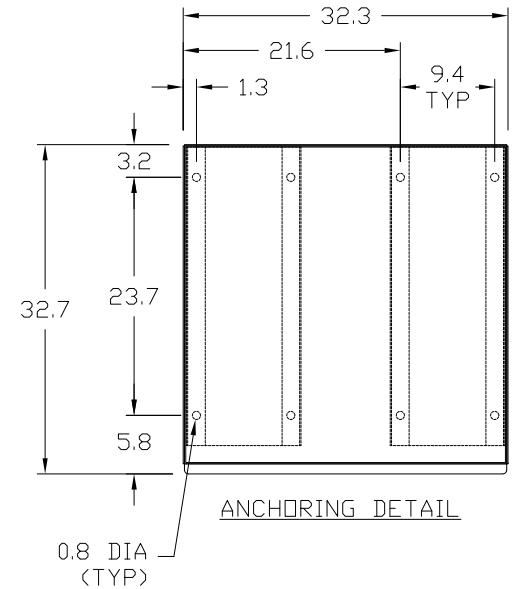
PART NO.		<b>SEE TABLE</b>		
DESCRIPTION <b>480V DC LANDING CABINET - 2000 AMP MAX</b>				
MEPPI APPROVED	<b>MAB</b>	KINNEY APPROVED	<b>RFM</b>	REVISION *
DATE	<b>02-09-2016</b>	CAD FILE	DRAWING NO.	SHEET
DRAWN BY	<b>RFM</b>	<b>DCF99002000A04</b>	<b>M0000543</b>	<b>1 OF 2</b>

DC LANDING CABINET - 2000 AMPERES

PART NUMBER	UPS SERIES	KVA	BREAKER TRIP UNIT	BREAKER CATALOG NUMBER	LINE CONNECTIONS PER POLE	LOAD CONNECTIONS PER POLE
LB-480-2000CB4-9-4	9900B	750	2000 AMPS	RGHDC3200FFWE	(16) #4-600MCM	(8) #4-600MCM
LB-480-2000CB4-9-5	9900B	750	2000 AMPS	RGHDC3200FFWE	(20) #4-600MCM	(8) #4-600MCM
LB-480-2000CB4-9-6	9900B	750	2000 AMPS	RGHDC3200FFWE	(24) #4-600MCM	(8) #4-600MCM



14'-#14 AWG. SIS VW-1.  
#4 SCREW RING TERMINALS  
AND WIRE MARKERS PROVIDED  
ON BOTH ENDS.



**ENCLOSURE NOTES:**  
**SERVICE:** 500VDC  
**ENCLOSURE:** NEMA 1 (UL 50 LISTED ENCLOSURE).  
**FRAME:** BOLT TOGETHER TRI-SQUARE FORMED CHANNEL OF 10 GAUGE STEEL.  
**DOOR:** 12 GAUGE PAINTED STEEL EQUIPPED WITH MITSUBISHI HANDLE WITH THREE POINT CATCH.  
**FINISH:** MITSUBISHI BEIGE POLYESTER POWDERCOAT APPLIED TO SURFACES TREATED WITH AN IRON PHOSPHATE AND CHROME FREE SEALER.  
**BUS BAR:** ELECTROLYTIC COPPER OF 98% CONDUCTIVITY, BASED ON 1000 AMPS PER SQUARE INCH DENSITY, SILVER PLATED.  
**WIRE BENDING GUTTER:** MEETS OR EXCEEDS NEC TABLES 312-6(a), 312-6(b).  
**BREAKER:** CUTLER-HAMMER RGHDC 2000 AMP FRAME, 3 POLE. BREAKER EQUIPPED WITH A FIXED THERMAL & FIXED MAGNETIC TRIP UNIT CALIBRATED AT 135% (SEE TABLE), FOUR AUXILIARY CONTACTS, TWO ALARM CONTACTS, AND 24VDC UNDER VOLTAGE RELEASE.  
**BREAKER RATING:** 65,000 A. I. C. AT 600VDC (FLOATING), 500VDC (LOADED)  
**LABELING:** CABINET PROVIDED WITH UL 891 LABEL.

This Document Contains Proprietary and Confidential Information.  
 Duplication, reproduction or use of this document or its contents in any form other than as expressly permitted by Kinney Electrical Mfg. Co., is prohibited.

**MITSUBISHI ELECTRIC POWER PRODUCTS, INC.**  
**WARRENDALE, PA**

REVISIONS		PART NO.	SEE TABLE		
		DESCRIPTION	480V DC LANDING CABINET - 2000 AMP MAX		
		MEPPI APPROVED	MAB	KINNEY APPROVED	RFM
		DATE	02-09-2016	CAD FILE	DRAWING NO.
		DRAWN BY	RFM	DCF99002000A04	M0000543
					REVISION *
					SHEET
					2 OF 2