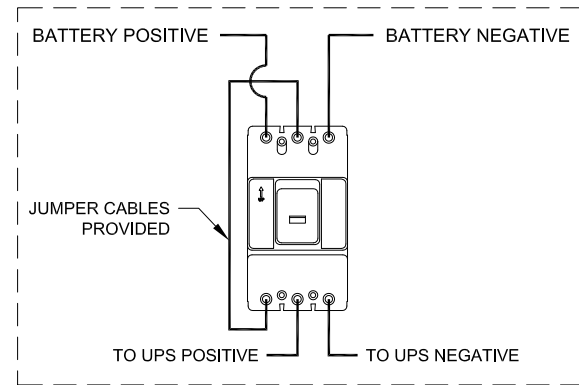


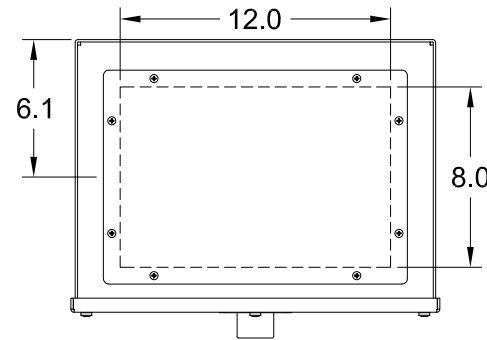
A B C D E F G H I J K L M N O P Q

CIRCUIT BREAKER SUMMARY				
BREAKER TYPE	BREAKER MODEL	TRIP	AIC	WIRE RANGE
CUTLER HAMMER SERIES G	LGEDC3XXX	500-600A	35K @ 600VDC	(2) 2 - 500 ①
CUTLER HAMMER SERIES C	HMDLDC3700	700A	35K @ 600VDC	(2) 1 - 500 ①
	HMDLDC3800	800A	35K @ 600VDC	(3) 3/0 - 400 ①

① THIS SPECIFIES THE WIRE RANGE THAT CAN BE USED WITH THE CIRCUIT BREAKER LUG. THE WIRE SHALL BE SIZED IN ACCORDANCE WITH THE MOST RECENT REVISION OF THE NATIONAL ELECTRICAL CODE (NEC) NFPA 70.

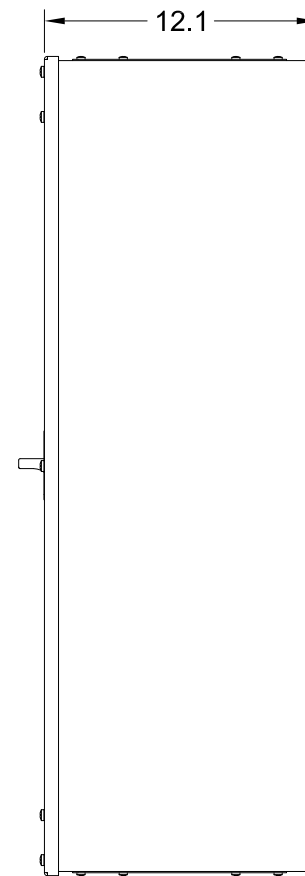
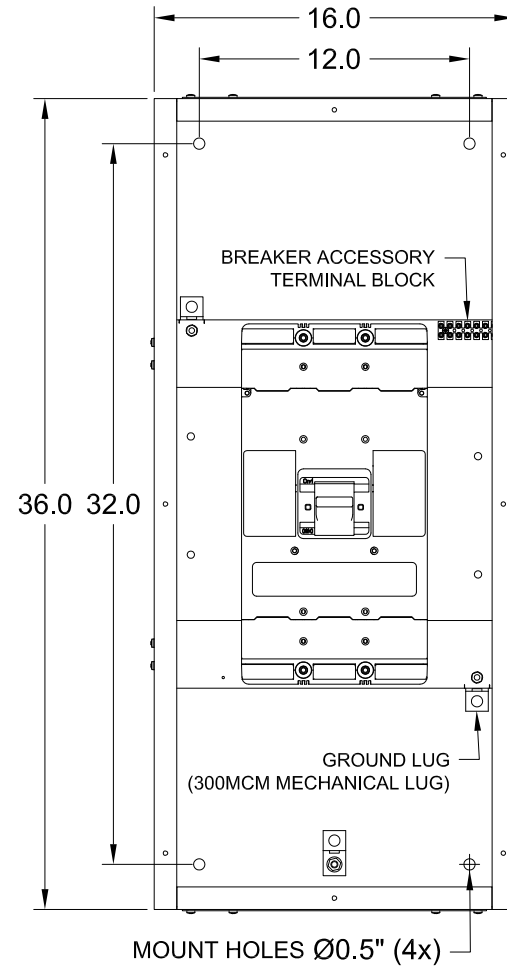
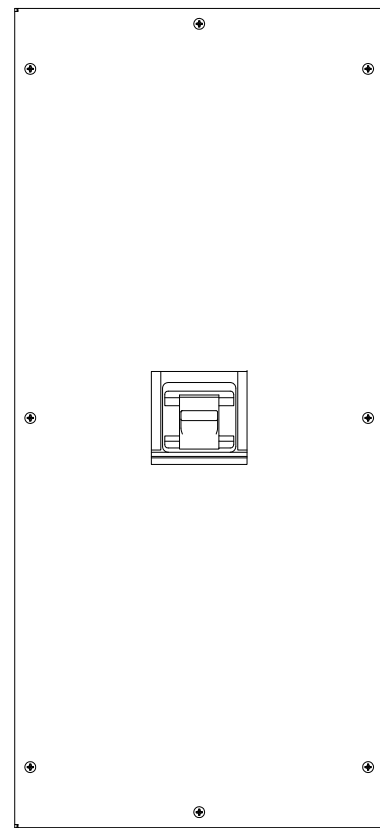


TYPICAL BREAKER WIRING

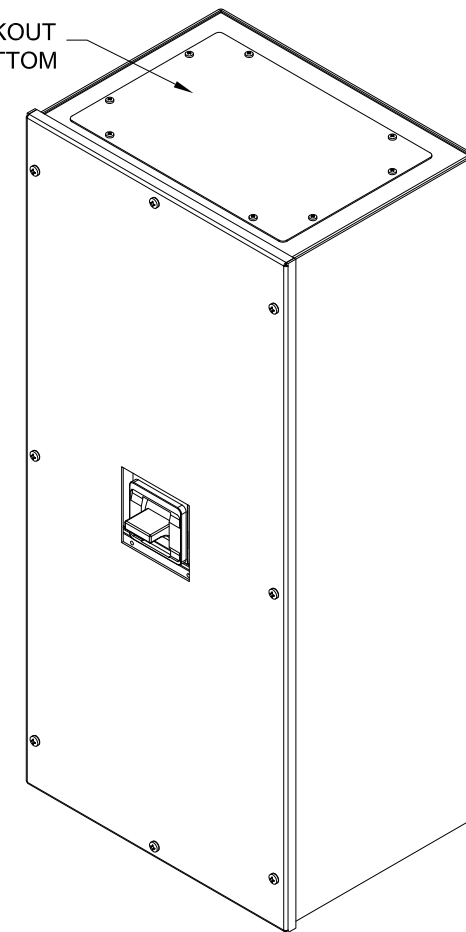


PART NUMBER BREAK DOWN

- DC-480-0600B4-0-2
- CABLES PER POLARITY: 2 2 CABLES 3 3 CABLES
- SIZE: 0 WALL MOUNT
- DISCONNECT TYPE: B4 BREAKER
- BREAKER RATING AMPS: 0500 0600 0700
- VOLTAGE: 480 360
- CABINET TYPE: DC WALL MOUNT



8.00" x 12.00" KNOCKOUT TOP & BOTTOM



- REVISIONS
- 4 -ADDED CIRCUIT BREAKER SUMMARY TABLE
 - ADDED PART NUMBER BREAK DOWN

DIMENSIONS IN [MM]	SCALE NTS	DRAFTER CH	DATE 10/23/13	<p>MITSUBISHI ELECTRIC POWER PRODUCTS, INC. WARRENDALE, PA.</p> <p>TITLE DC DISCONNECT 450A-800A</p> <p>DWG NO. 91822-SD01</p> <p>REV. 4</p>
<small>THIS DRAWING CONTAINS PROPRIETARY AND CONFIDENTIAL INFORMATION OF C&C POWER, INC. AND HAS BEEN PREPARED FOR THE USE OF MITSUBISHI ELECTRIC POWER PRODUCTS, INC. FOR USE IN CONJUNCTION WITH EQUIPMENT PROVIDED BY C&C POWER, INC. UNAUTHORIZED REPRODUCTION, IN WHOLE OR IN PART, WITHOUT WRITTEN PERMISSION OF C&C POWER, INC. IS PROHIBITED. © 2011 C&C POWER, INC.</small>				
REF DWG. NO. -		CHECKED	DATE	
FILE LOCATION:		ENGINEER	DATE	
		APPROVED	DATE	