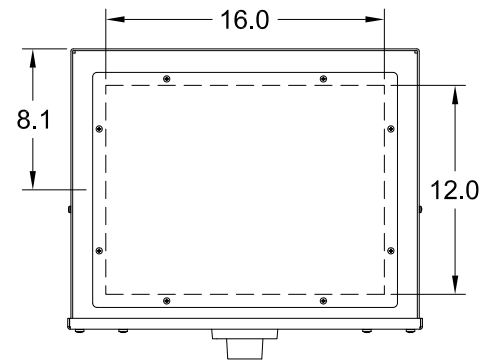
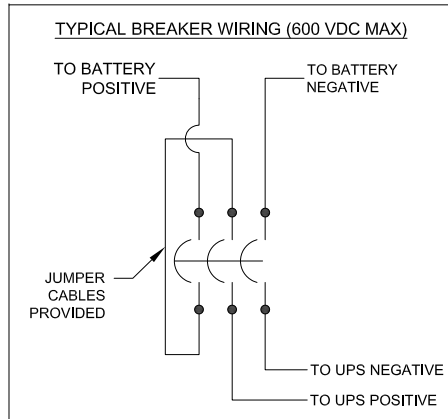


A B C D E F G H I J K L M N O P Q

1  
2  
3  
4  
5  
6  
7  
8  
9

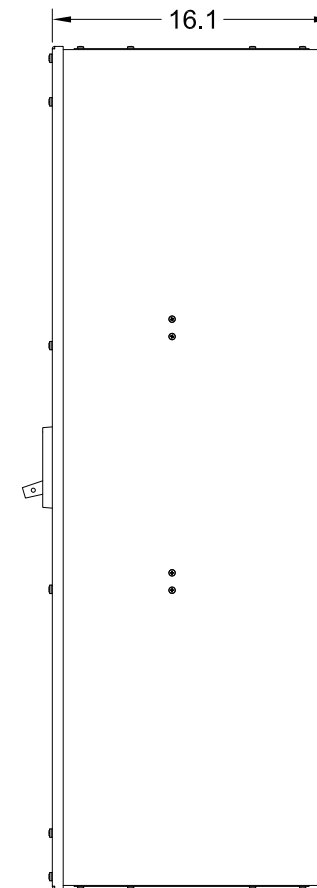
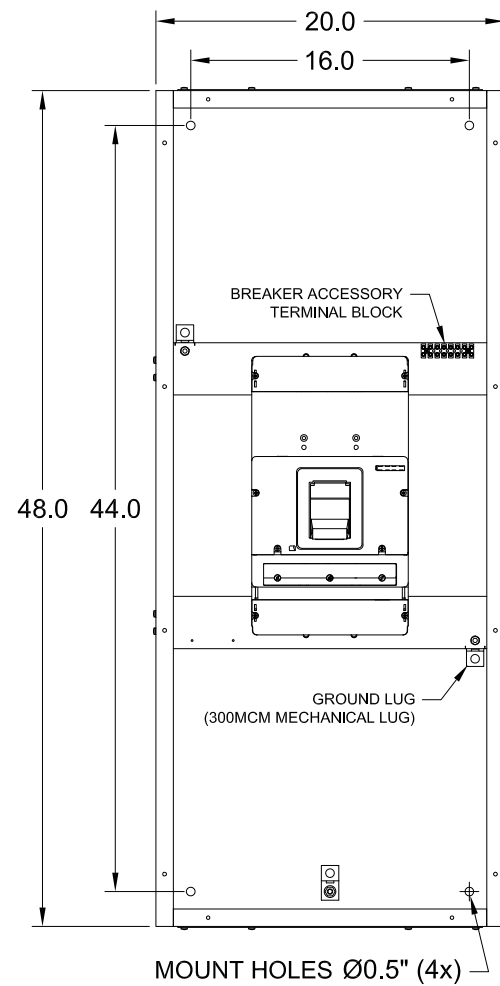
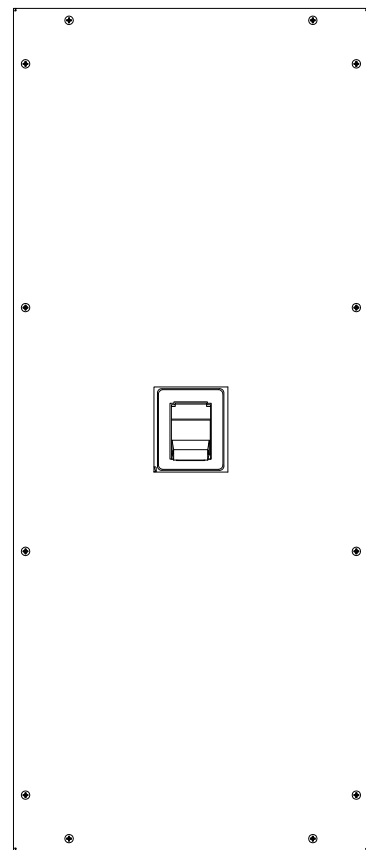
CIRCUIT BREAKER SUMMARY				
BREAKER TYPE	BREAKER MODEL	TRIP	AIC	WIRE RANGE
SIEMENS	HNC3BXXX	900-1200A	65K @ 600VDC	(4) 1/0 - 500 ①



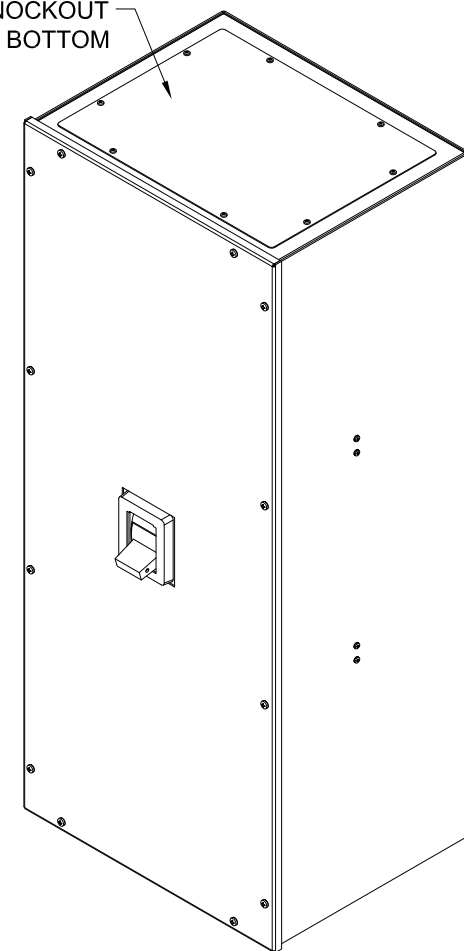
**PART NUMBER BREAK DOWN**

- DC-480-1200SB4-0-4
- CABLES PER POLARITY: 4 CABLES
  - SIZE: 0 WALL MOUNT
  - BREAKER ACC: B4 UVR, AUX, BELL
  - BREAKER MFG: S SIEMENS
  - BREAKER RATING AMPS: 0900 1000 1200
  - VOLTAGE: 480
  - CABINET TYPE: DC WALL MOUNT

① THIS SPECIFIES THE WIRE RANGE THAT CAN BE USED WITH THE CIRCUIT BREAKER LUG. THE WIRE SHALL BE SIZED IN ACCORDANCE WITH THE MOST RECENT REVISION OF THE NATIONAL ELECTRICAL CODE (NEC) NFPA 70.



12.00" x 16.00" KNOCKOUT  
TOP & BOTTOM



- NOTES:**
- APPROXIMATE WEIGHT: 170 LBS.
  - ASSEMBLY IS LISTED TO UL/CUL 1778 AND C22.2 NO. 107.1.

REVISIONS	DESCRIPTION
7	ADDED NOTES

DIMENSIONS IN [MM]	SCALE NTS	DRAFTER CH	DATE 7/26/16	<b>MITSUBISHI ELECTRIC POWER PRODUCTS, INC.</b> WARRENDALE, PA.
<small>THIS DRAWING CONTAINS PROPRIETARY AND CONFIDENTIAL INFORMATION OF C&amp;C POWER, INC. AND HAS BEEN PREPARED FOR THE USE OF MITSUBISHI ELECTRIC POWER PRODUCTS, INC. FOR USE IN CONJUNCTION WITH EQUIPMENT PROVIDED BY C&amp;C POWER, INC. UNAUTHORIZED REPRODUCTION, IN WHOLE OR IN PART, WITHOUT WRITTEN PERMISSION OF C&amp;C POWER, INC. IS PROHIBITED. © 2016 C&amp;C POWER, INC.</small>		CHECKED	DATE	
REF DWG. NO. -		ENGINEER	DATE	
FILE LOCATION:		APPROVED	DATE	
			TITLE	DC DISCONNECT 900A-1200A
			DWG NO.	91830-SD01
			REV.	<b>7</b>