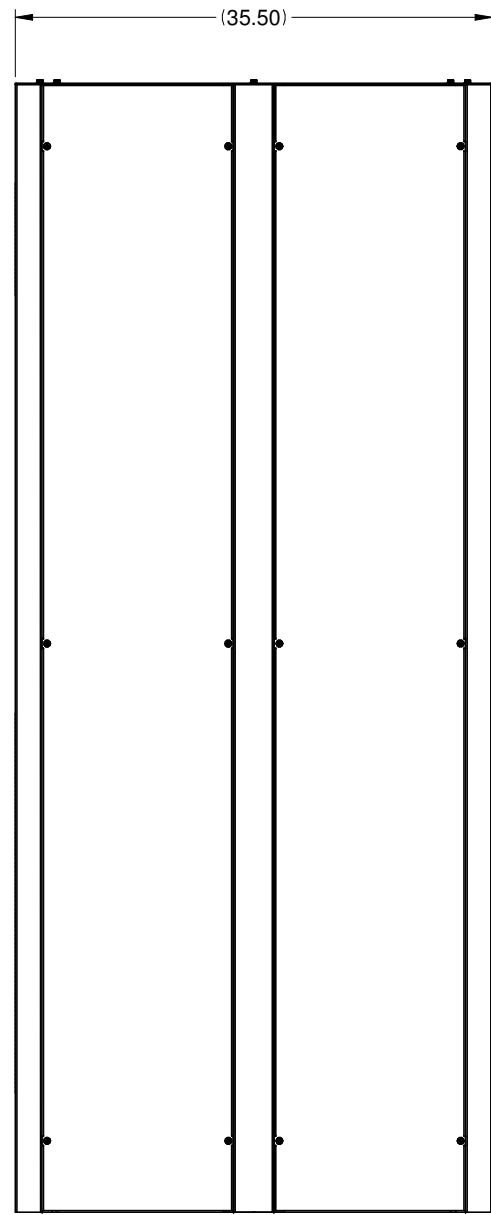
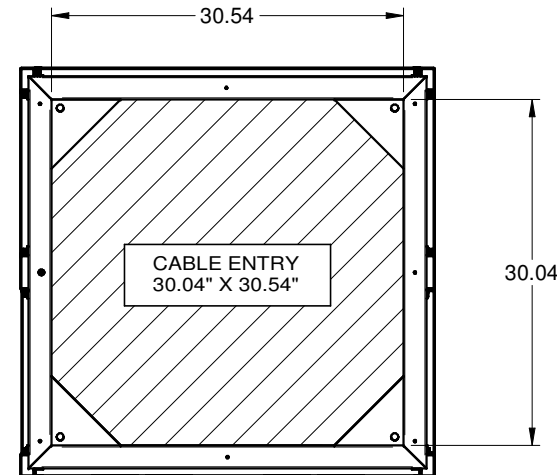


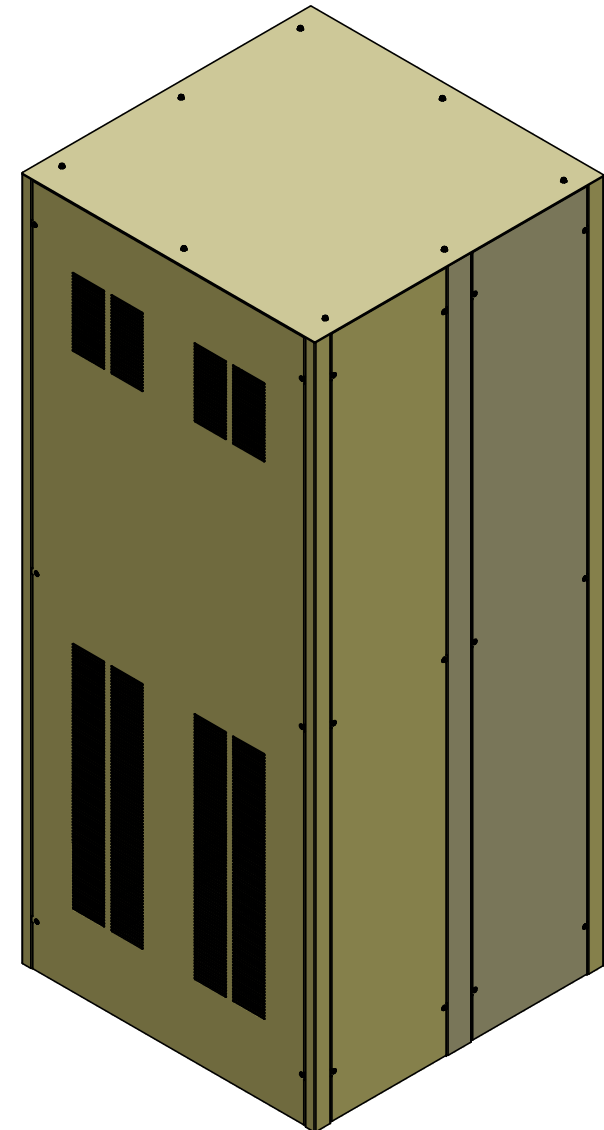
FRONT



RIGHT SIDE



**TOP
CONDUIT ENTRY
TOP AND BOTTOM**



SINGLE LINE DIAGRAM



- NOTES:
 1. DC LANDING CABINET WEITH: 680 LBS.
 2. CUSTOMER CONNECTIONS (24X) NEMA 2 HOLE 3/8" CLEARANCE PROVISIONS.
 3. DC LANDING CABINET IS UL,CUL LISTED.

DC LANDING CABINET

REVISIONS	0. RELEASED FOR CONSTRUCTION I.MARTORELL 11/7/2017
-----------	--

DIMENSIONS IN: IN [MM] (REF)	SCALE - NTS -	DRAFTER I.MARTORELL	DATE 11/07/17	MITSUBISHI ELECTRIC
<small>PROPRIETARY</small> This document is the property of Mitsubishi Electric Power Products, Inc. and contains proprietary and confidential information which must not be duplicated, used or disclosed other than as expressly authorized by Mitsubishi Electric Power Products, Inc.		APPROVED N.RIEMER	DATE 11/08/17	
CORE/REFERENCE DRAWING (IF APPLICABLE)				DWG. NO. UD-100697S
				SHEET 1 OF 1 REV. 0