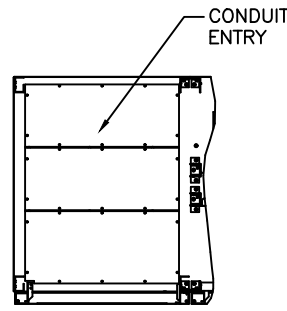


TYPE: 9900CX
 RATING: 1400kVA-3P3W-480V-60Hz
 HEAT REJECTION: 159.7kBTUs/hour (TYPICAL)

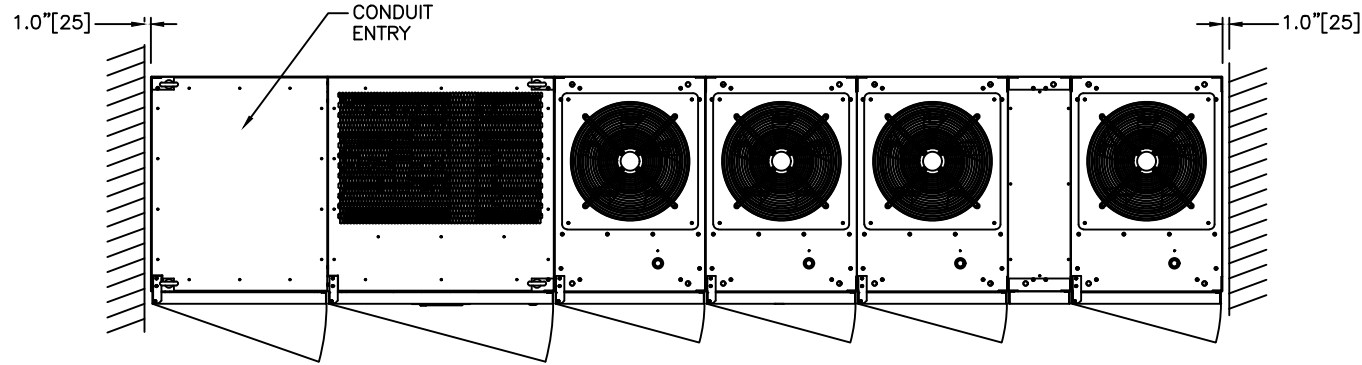
NOTES

1. DIMENSIONS ARE SHOWN IN INCHES[MILLIMETERS].
2. SIDE SPACE 1"[25] IS NOT REQUIRED WHEN SIDECARS ARE USED.
3. CABINET SHOULD BE MAINTAINED UPRIGHT WITHIN ±15° DURING HANDLING.
4. EACH BASE HAS 2 or 4 x 0.8"[20] DIAMETER HOLES TO FIX UPS ON THE GROUND.
5. LIFTING EYES OPTIONAL.
6. APPROXIMATE WEIGHT.

UPS MODULE (LEFT) 5,280LBS (2,400kg)
 UPS MODULE (RIGHT) 1,700LBS (850kg)
 BYPASS MODULE 2,200LBS (1,100kg)
 7. FLOOR SHALL BE FLAT AND LEVEL TO 0.3" SURROUNDING UPS MOUNTING



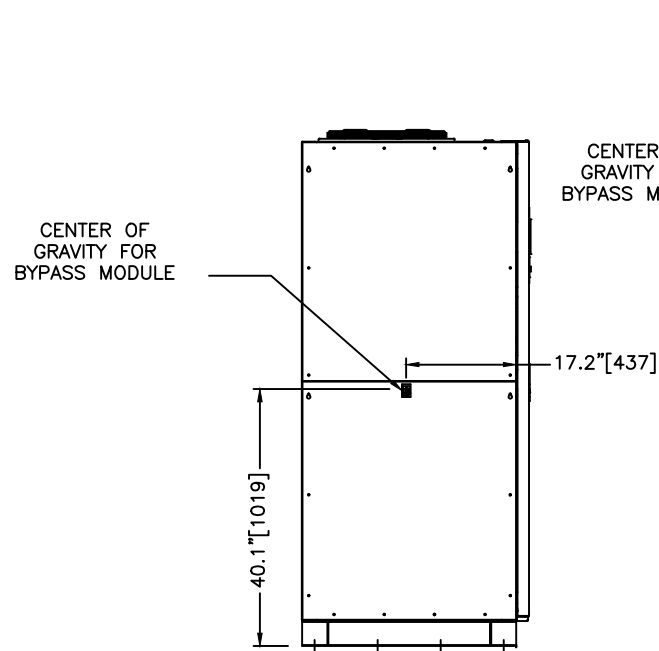
BOTTOM CABLE ENTRY CROSS SECTION A-A



EACH DOOR R31.1"(790) 88"SWING MAX

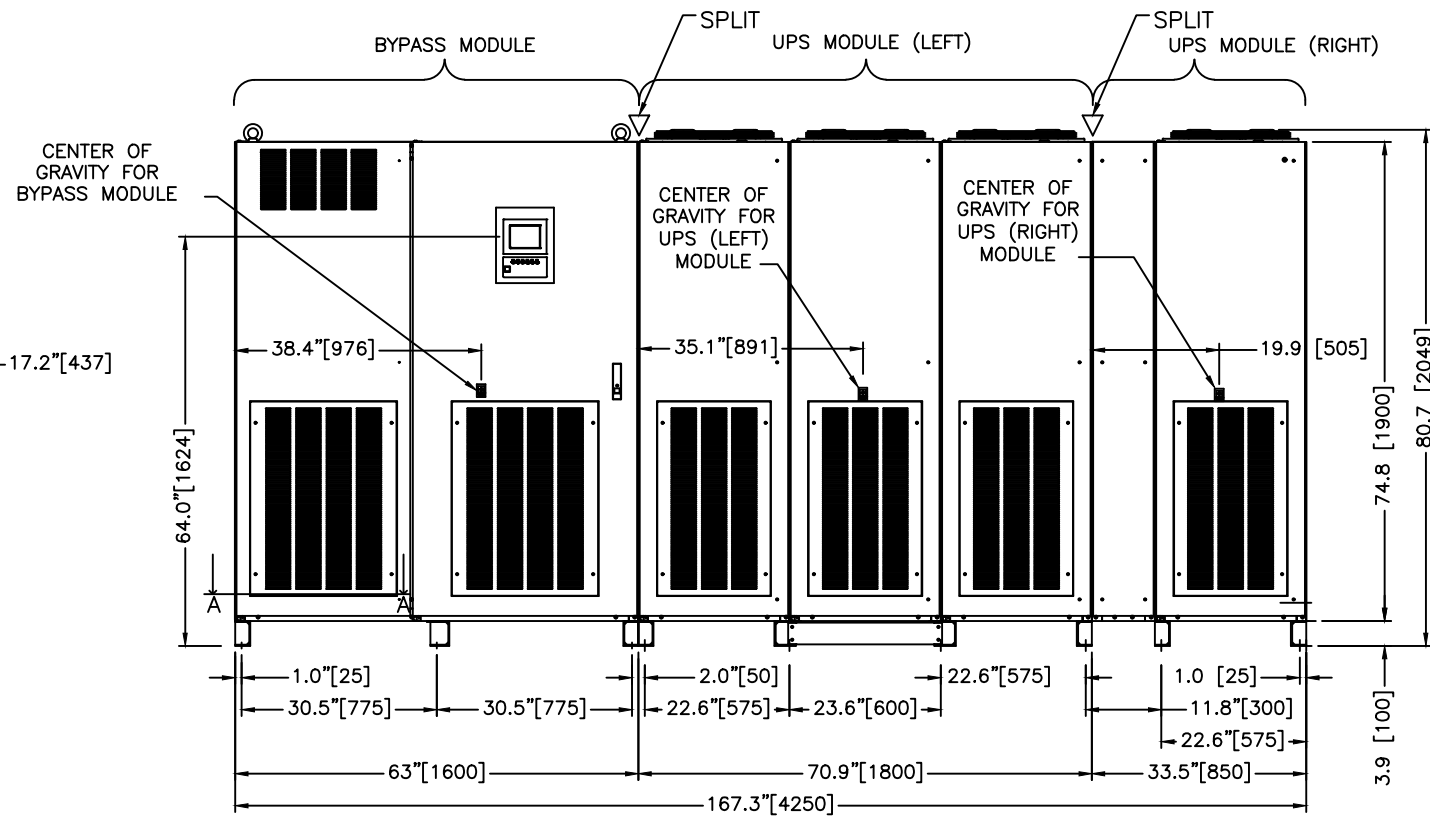
TOP VIEW

EACH DOOR R23.2"(590) 88"SWING MAX



CENTER OF GRAVITY FOR BYPASS MODULE

LEFT SIDE VIEW

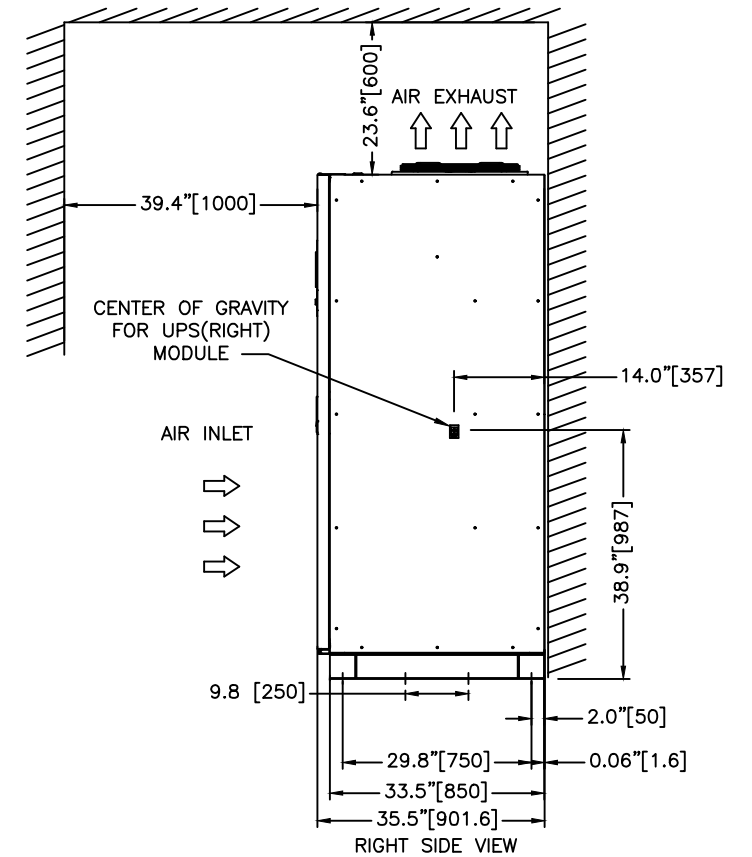


CENTER OF GRAVITY FOR BYPASS MODULE

CENTER OF GRAVITY FOR UPS (LEFT) MODULE

CENTER OF GRAVITY FOR UPS (RIGHT) MODULE

FRONT VIEW



CENTER OF GRAVITY FOR UPS (RIGHT) MODULE

AIR INLET

AIR EXHAUST

RIGHT SIDE VIEW

0 INITIAL RELEASE
 GDJ 11/16/16
 1. RELEASED FOR CONSTRUCTION
 AJK 6/22/2017
 2. NOTE 7 ADDED
 ZMZ 9/19/2017

DWG. No. UD-100572	SCALE: NTS	DRAFTER: G. JOHNSTON	DATE: 11/02/16	<p>MITSUBISHI ELECTRIC POWER PRODUCTS, INC. WARRENDALE, PA.</p> <p>TITLE: OUTLINE 1 9900CX 1400KVA</p> <p>SHEET 1 OF 4 REV: 2</p>
<p>PROPRIETARY AND CONFIDENTIAL INFORMATION WHICH MUST NOT BE DUPLICATED, USED OR DISCLOSED OTHER THAN AS EXPRESSLY AUTHORIZED BY MITSUBISHI ELECTRIC POWER PRODUCTS, INC.</p>				
CHECKED: M. BALMER	DATE: 11/02/16	ENGINEER: K. BEAMER/A. SCHOTT	DATE: 11/02/16	
APPROVED: K. BEAMER/A. SCHOTT	DATE: 11/02/16	DWG. No.		
<p>FILE LOCATION: \\corpp1naup01\eng\mlp\doc\AutoCAD 2D</p>				UD-100572 2