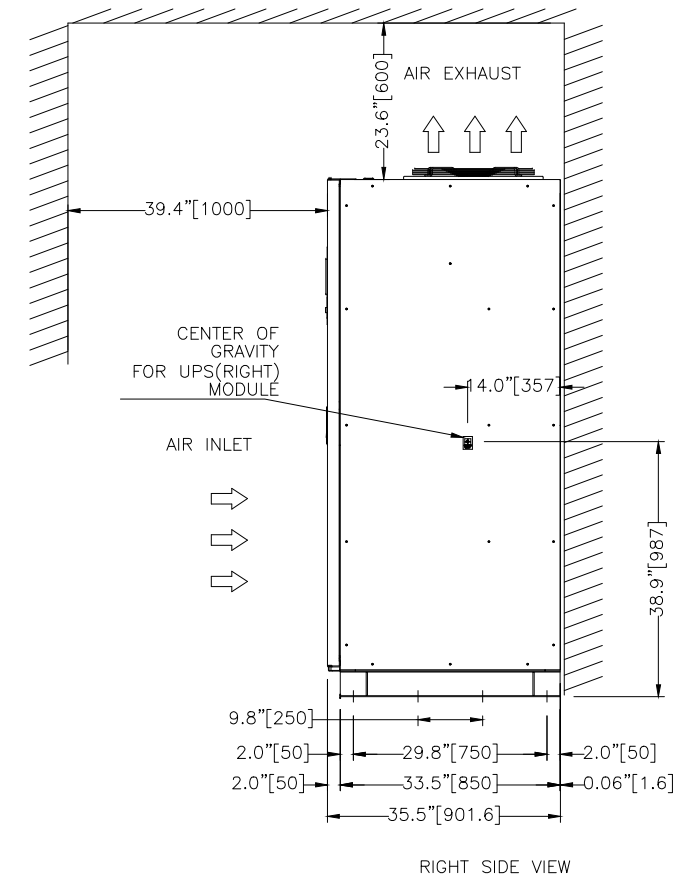
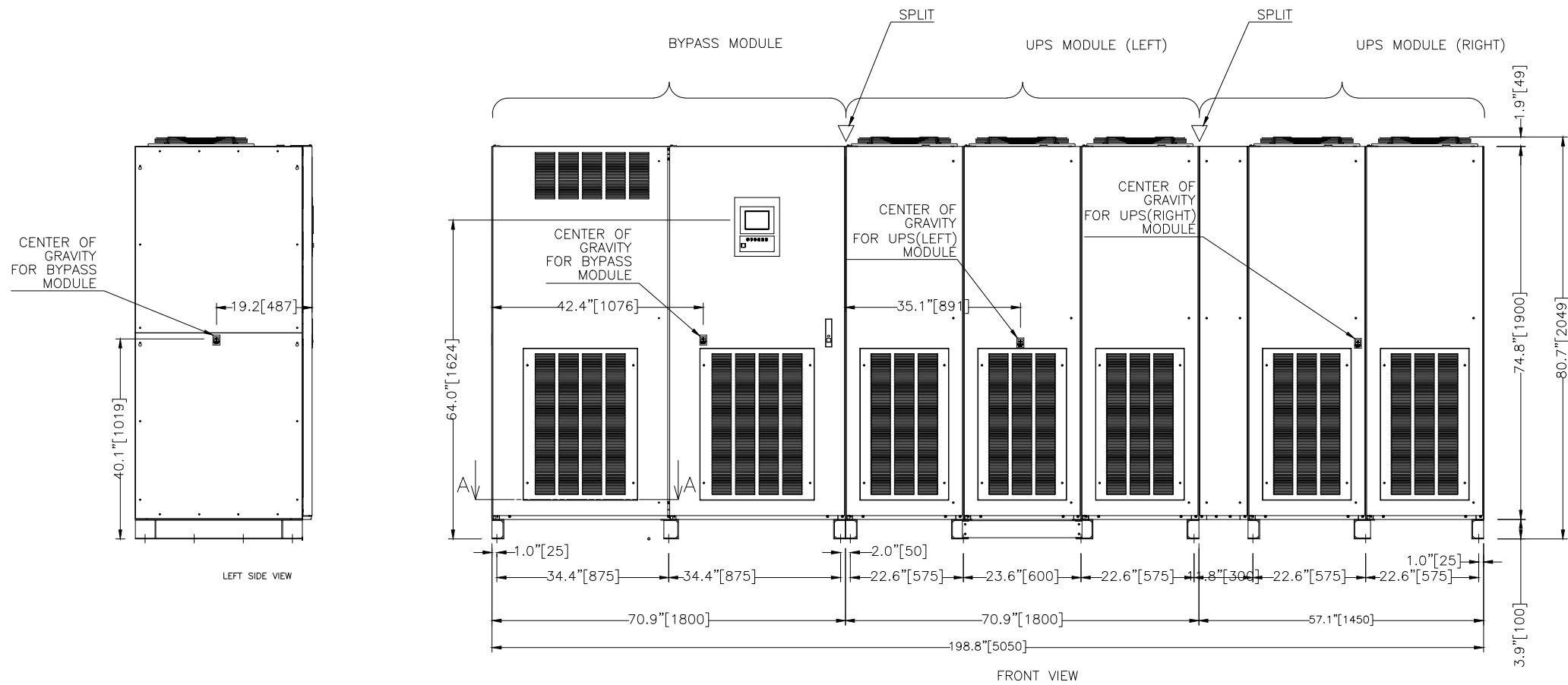
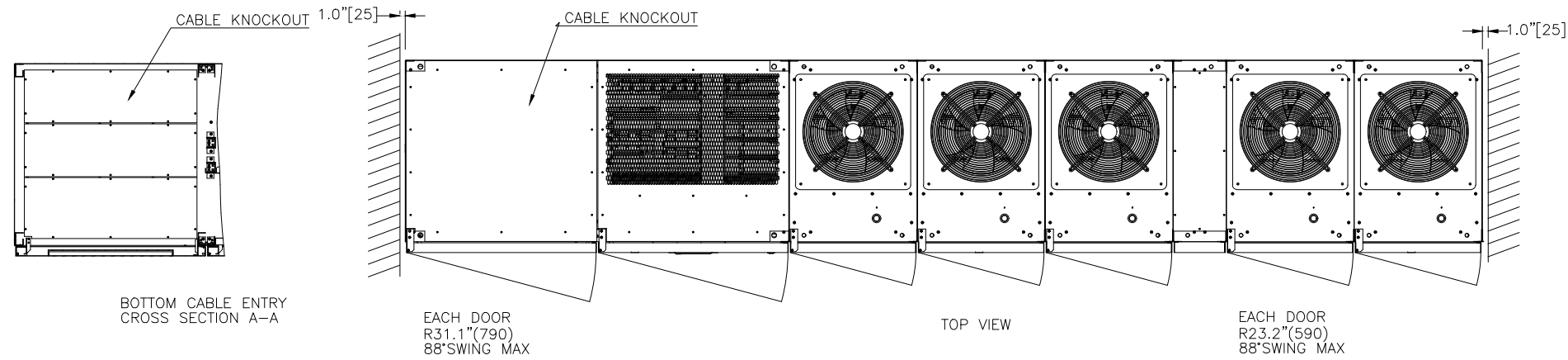


NOTES

1. DIMENSIONS ARE SHOWN IN INCHES[MILLIMETERS].
2. SIDE SPACE '1"[25]' IS NOT REQUIRED WHEN SIDECARS ARE USED.
3. CABINET SHOULD BE MAINTAINED UPRIGHT WITHIN ±15° DURING HANDLING.
4. EACH BASE CHANNEL HAS 2 OR 4 x 0.8"[20] DIAMETER HOLES TO FIX UPS ON THE GROUND.
5. LIFTING EYES OPTIONAL.
6. APPROXIMATE WEIGHT.

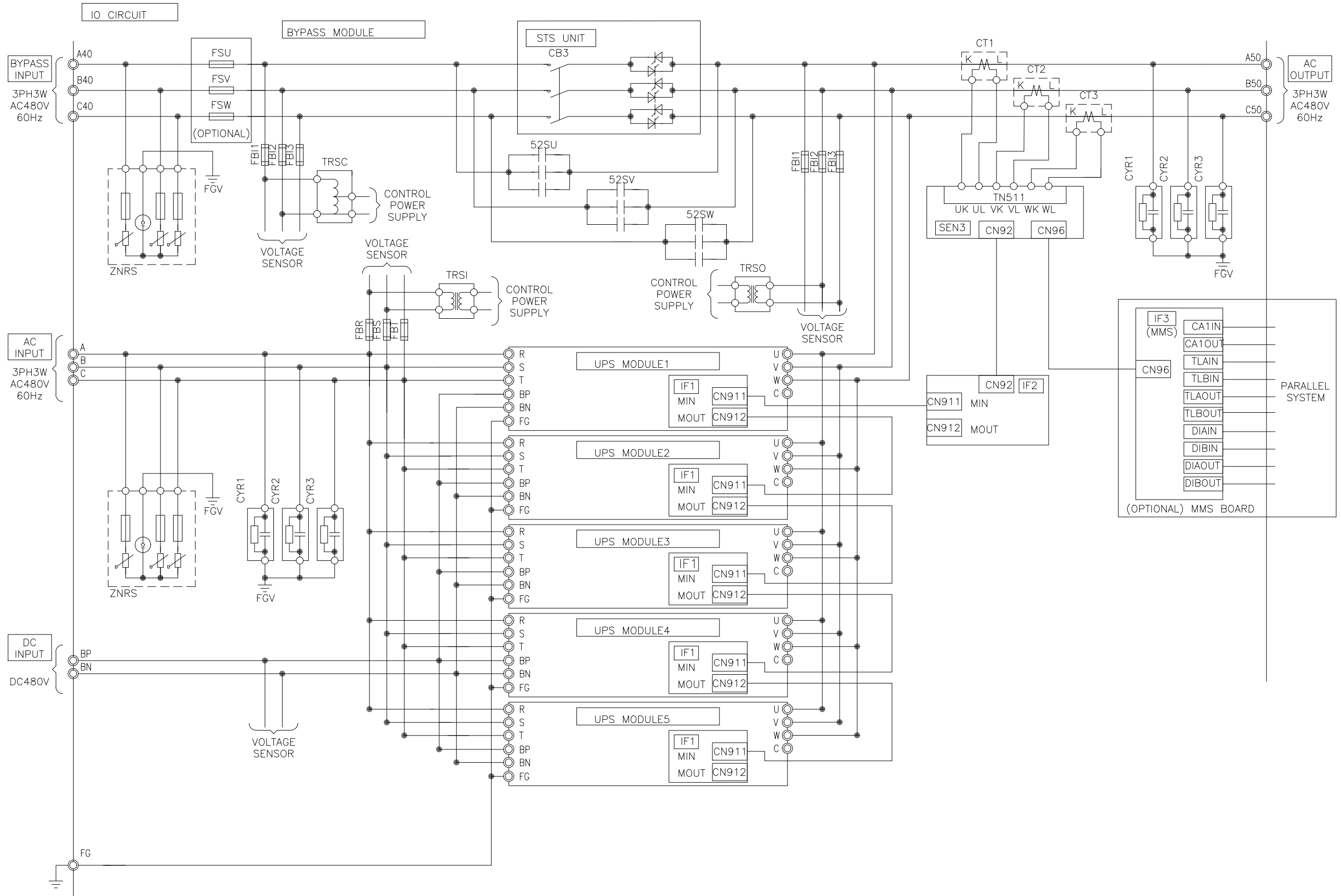
UPS MODULE (LEFT)	5,280LBS (2,400kg)
UPS MODULE (RIGHT)	3,630LBS (1,650kg)
BYPASS MODULE	2,200LBS (1,100kg)
7. FLOOR SHALL BE FLAT AND LEVEL TO 0.3" SURROUNDING UPS MOUNTING	

TYPE: 9900CX
 RATING: 1750kVA-3P3W-480V-60Hz
 HEAT REJECTION:187.5kBTUs/hour (TYPICAL)



0 INITIAL RELEASE
 GDJ 11/16/16
 1. RELEASED FOR
 CONSTRUCTION
 AJK 6/22/2017
 2. NOTE 7
 ADDED.
 ZMZ 9/19/2017
 3. UPDATED
 BYPASS MODULE
 DIMENSIONS
 ZMZ 9/25/2017
 4. UPDATED
 BYPASS DRAWING
 ZMZ 2/2/2018

DWG. No. UD-100573	SCALE: NTS	DRAFTER: G JOHNSTON	DATE: 11/02/16	MITSUBISHI ELECTRIC POWER PRODUCTS, INC. WARRENDALE, PA.
REF. DWG. No.	PROPRIETARY THIS DOCUMENT IS PROPERTY OF MITSUBISHI ELECTRIC POWER PRODUCTS INC. AND CONTAINS PROPRIETARY AND CONFIDENTIAL INFORMATION WHICH MUST NOT BE DUPLICATED, USED OR DISCLOSED OTHER THAN AS EXPRESSLY AUTHORIZED BY MITSUBISHI ELECTRIC POWER PRODUCTS, INC.	CHECKED: M BALMER	DATE: 11/02/16	
FILE LOCATION: \\warppinsupsd01\engr\wip\docs\AutoCAD 2D		ENGINEER: K.BEAMER/A.SCHOTT	DATE: 11/02/16	
		APPROVED: K.BEAMER/A.SCHOTT	DATE: 11/02/16	
TITLE: OUTLINE 1 9900CX 1750KVA SHEET 1 OF 4 REV: 4				



0 INITIAL RELEASE
 GDJ 11/16/16
 1-RELEASED FOR
 CONSTRUCTION
 AJK 6/22/2017

DWG. No.	UD-100573	SCALE	NTS	DRAFTER	G JOHNSTON	DATE	11/02/16
REF. DWG. No.		PROPRIETARY	THIS DOCUMENT IS PROPERTY OF MITSUBISHI ELECTRIC POWER PRODUCTS, INC. AND CONTAINS PROPRIETARY AND CONFIDENTIAL INFORMATION WHICH MUST NOT BE DUPLICATED, USED OR DISCLOSED OTHER THAN AS EXPRESSLY AUTHORIZED BY MITSUBISHI ELECTRIC POWER PRODUCTS, INC.				
APPROVED	K.BEAMER/A.SCHOTT	CHECKED	M BALMER	DATE	11/02/16	DATE	11/02/16
ENGINEER	K.BEAMER/A.SCHOTT	DATE	11/02/16	TITLE	SYSTEM CONFIGURATION 9900CX 1750KVA		
FILE LOCATION	\\warppinsupsd01\enr\wip\docs\AutoCAD 2D		DATE	11/02/16	SHEET 2 OF 4	REV:	0



MITSUBISHI ELECTRIC
 POWER PRODUCTS, INC.
 WARRENDALE, PA.

UD-100573 0

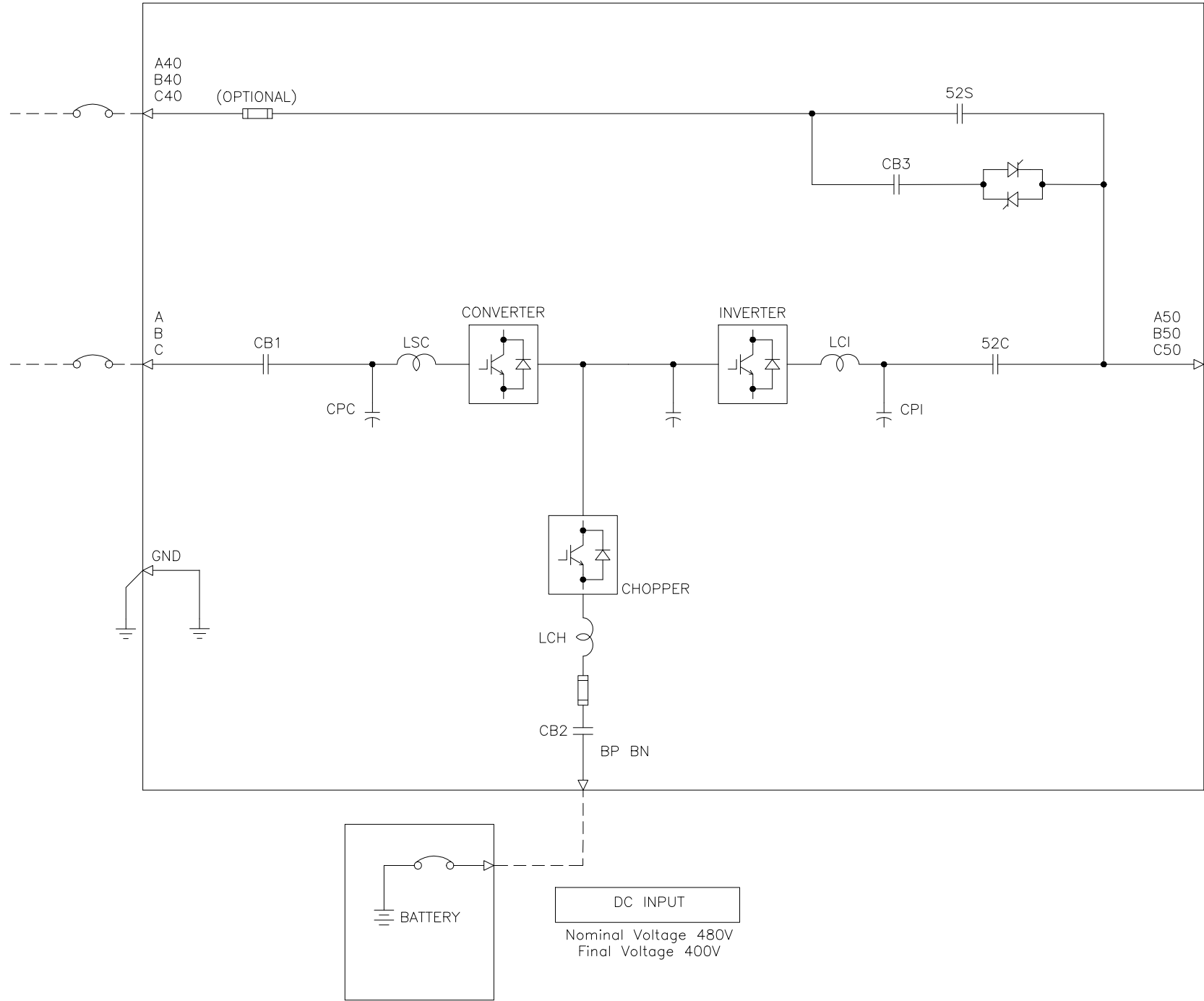
1750kVA 1660kW UPS MODULE

BYPASS INPUT
3-PHASE 3-WIRE
AC480V 60Hz

AC INPUT
3-PHASE 3-WIRE
AC480V 60Hz

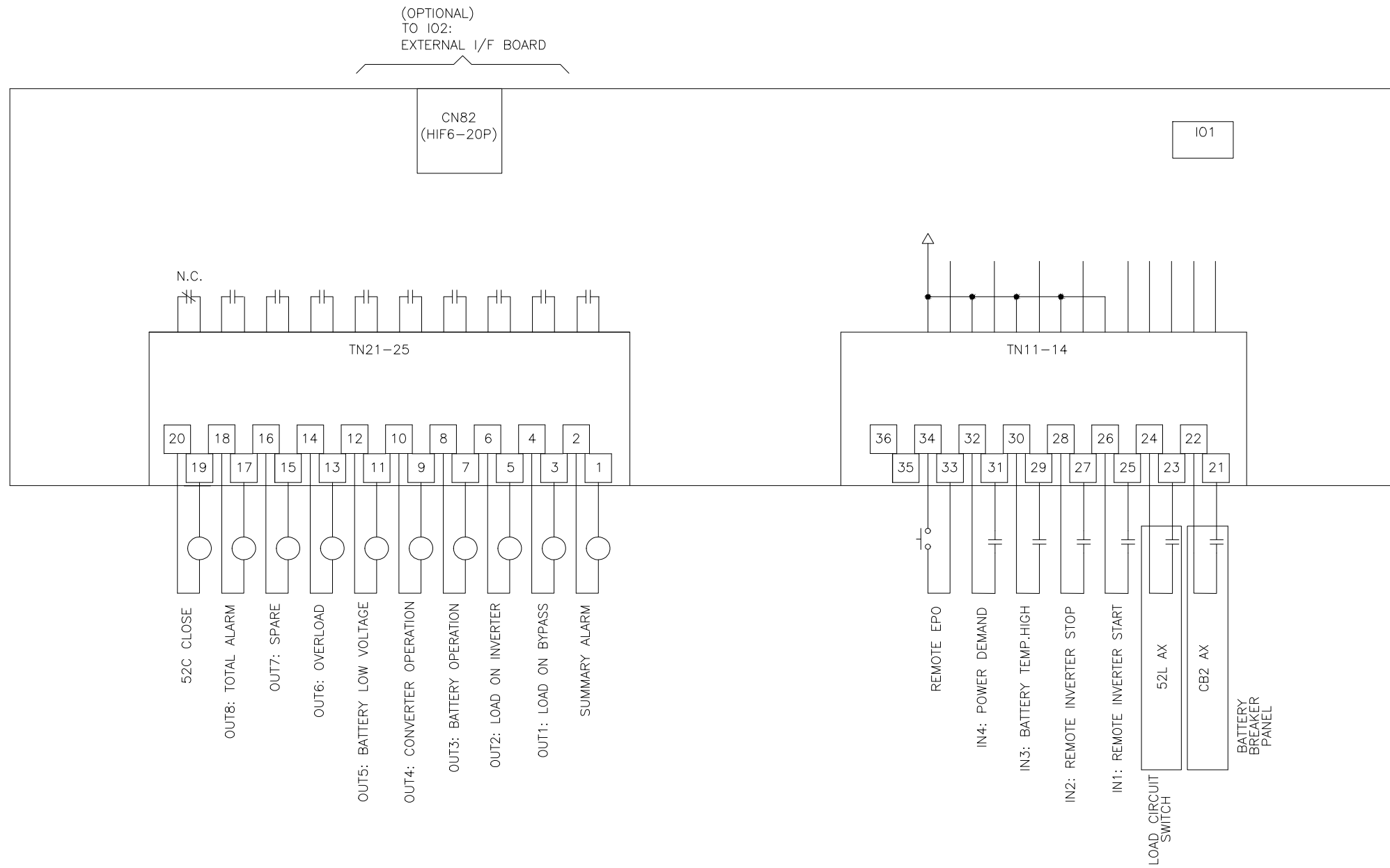
AC OUTPUT
3-PHASE 3-WIRE
AC480V 60Hz

DC INPUT
Nominal Voltage 480V
Final Voltage 400V



0 INITIAL RELEASE
GDJ 11/16/16
1-RELEASED FOR
CONSTRUCTION
AJK 6/22/2017

DIM. IN: INCHES	SCALE: NTS	DRAFTER: G JOHNSTON	DATE: 11/02/16	<p>MITSUBISHI ELECTRIC POWER PRODUCTS, INC. WARRENDALE, PA.</p>
<small>PROPRIETARY THIS DOCUMENT IS PROPERTY OF MITSUBISHI ELECTRIC POWER PRODUCTS, INC. AND CONTAINS PROPRIETARY AND CONFIDENTIAL INFORMATION WHICH MUST NOT BE DUPLICATED, USED OR DISCLOSED OTHER THAN AS EXPRESSLY AUTHORIZED BY MITSUBISHI ELECTRIC POWER PRODUCTS, INC.</small>		CHECKED: M BALMER	DATE: 11/02/16	
REF. DWG. No.	APPROVED: K.BEAMER/A.SCHOTT	ENGINEER: K.BEAMER/A.SCHOTT	DATE: 11/02/16	
FILE LOCATION: \\warppinsupsd01\engr\wip\docs\AutoCAD 2D			DATE: 11/02/16	
TITLE: SINGLE LINE DIAGRAM 9900CX 1750KVA			DWG No.	SHEET 3 OF 4
			REV:	UD-100573 0



0 INITIAL RELEASE
GDJ 11/16/16
1-RELEASED FOR
CONSTRUCTION
AJK 6/22/2017

DIM IN: INCHES	SCALE: NTS	DRAFTER: G JOHNSTON	DATE 11/02/16	<p>MITSUBISHI ELECTRIC POWER PRODUCTS, INC. WARRENDALE, PA.</p>
<small>PROPRIETARY THIS DOCUMENT IS PROPERTY OF MITSUBISHI ELECTRIC POWER PRODUCTS, INC. AND CONTAINS PROPRIETARY AND CONFIDENTIAL INFORMATION WHICH MUST NOT BE DUPLICATED, USED OR DISCLOSED OTHER THAN AS EXPRESSLY AUTHORIZED BY MITSUBISHI ELECTRIC POWER PRODUCTS, INC.</small>		CHECKED: M BALMER	DATE 11/02/16	
REF. DWG. No.	APPROVED: K.BEAMER/A.SCHOTT	ENGINEER: K.BEAMER/A.SCHOTT	DATE 11/02/16	
FILE LOCATION: \\warppinsupsd01\enr\wip\docs\AutoCAD 2D			DATE 11/02/16	
TITLE: SINGLE LINE DIAGRAM 9900CX 1750KVA			DWG No. SHEET 4 OF 4	REV: 0