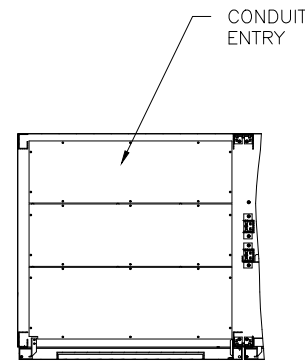


TYPE: 9900CX
 RATING: 2100kVA-3P3W-480V-60Hz
 HEAT REJECTION: 236.6kBTUs/hour (TYPICAL)

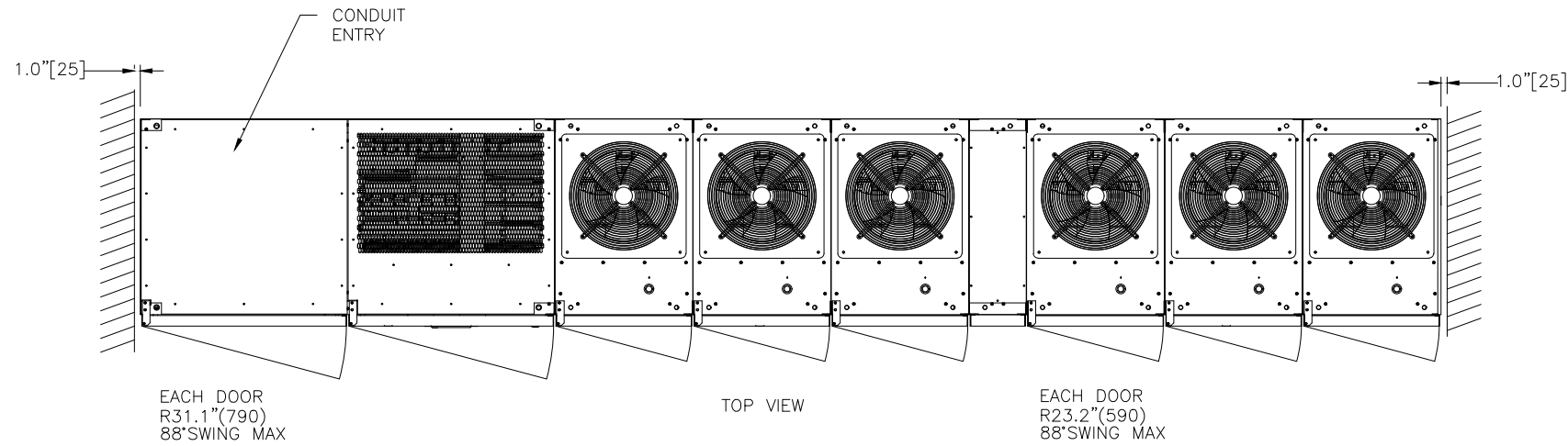
NOTES

1. DIMENSIONS ARE SHOWN IN INCHES[MILLIMETERS].
2. SIDE SPACE "1"[25] IS NOT REQUIRED WHEN SIDECARS ARE USED.
3. CABINET SHOULD BE MAINTAINED UPRIGHT WITHIN ±15° DURING HANDLING.
4. EACH BASE CHANNEL HAS 2 OR 4 x 0.8"[20] DIAMETER HOLES TO FIX UPS ON THE GROUND.
5. LIFTING EYES OPTIONAL.
6. APPROXIMATE WEIGHT.

UPS MODULE (LEFT) 5,280LBS (2,400kg)
 UPS MODULE (RIGHT) 5,390LBS (2,450kg)
 BYPASS MODULE 2,860LBS (1,300kg)
 7. FLOOR SHALL BE FLAT AND LEVEL TO 0.3" SURROUNDING UPS MOUNTING



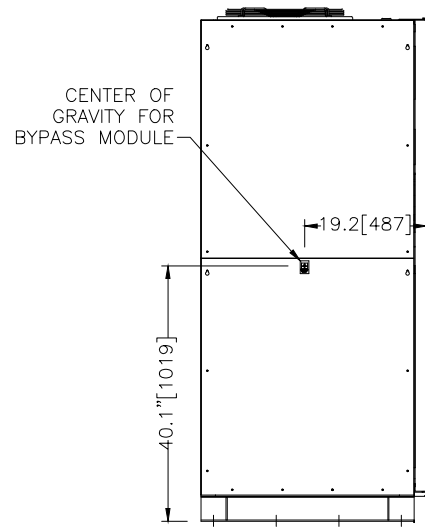
BOTTOM CABLE ENTRY CROSS SECTION A-A



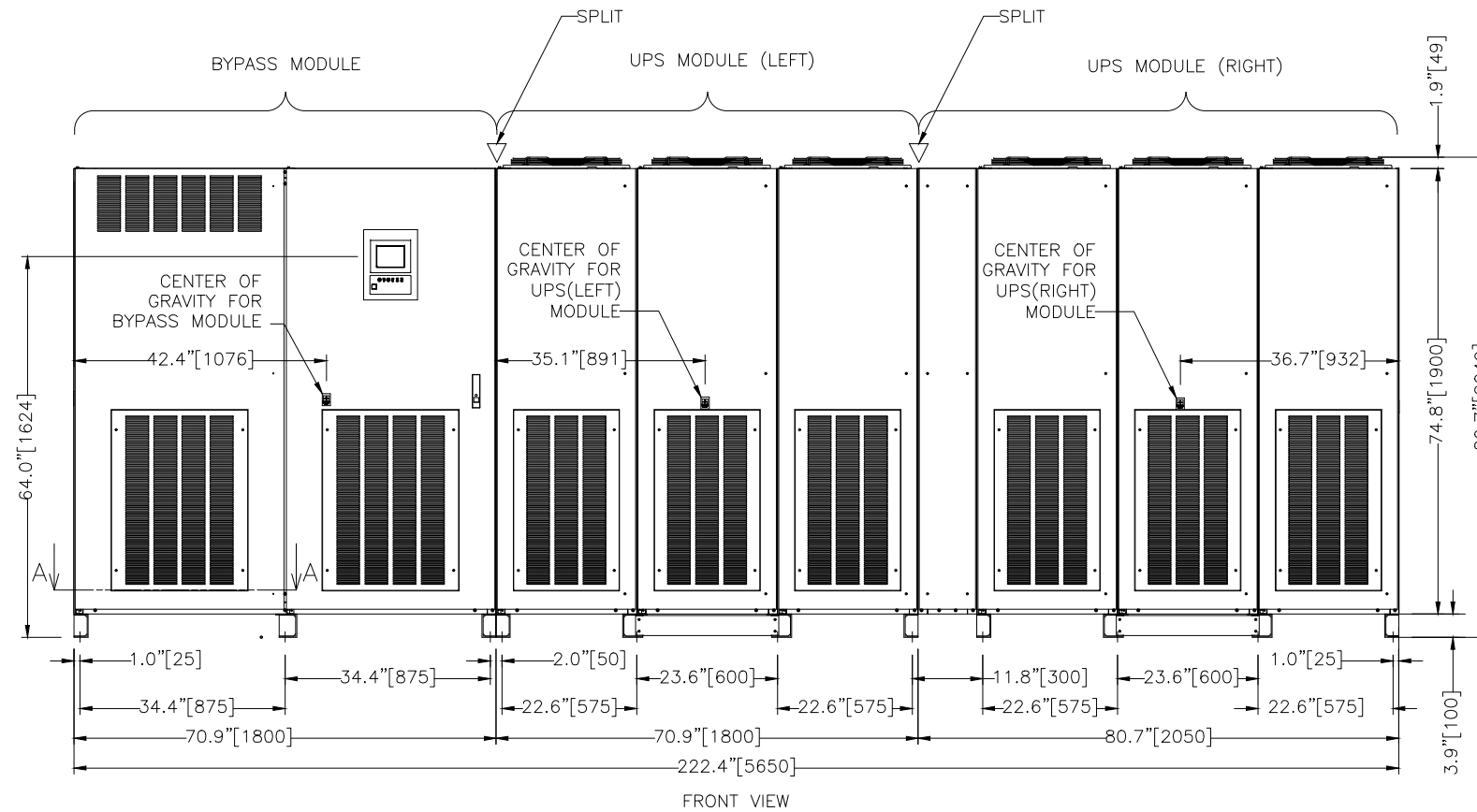
EACH DOOR
 R31.1"(790)
 88° SWING MAX

TOP VIEW

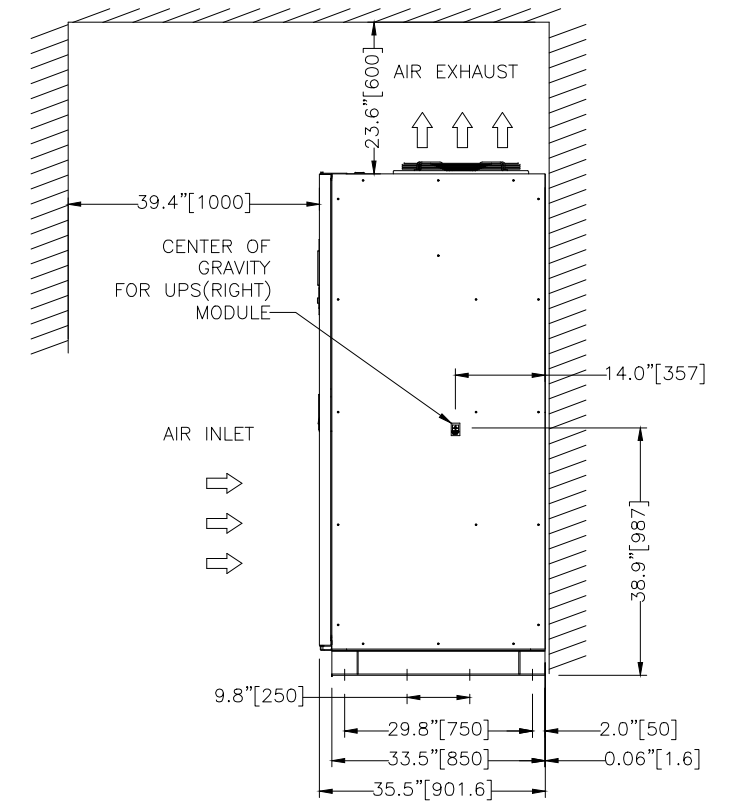
EACH DOOR
 R23.2"(590)
 88° SWING MAX



LEFT SIDE VIEW



FRONT VIEW

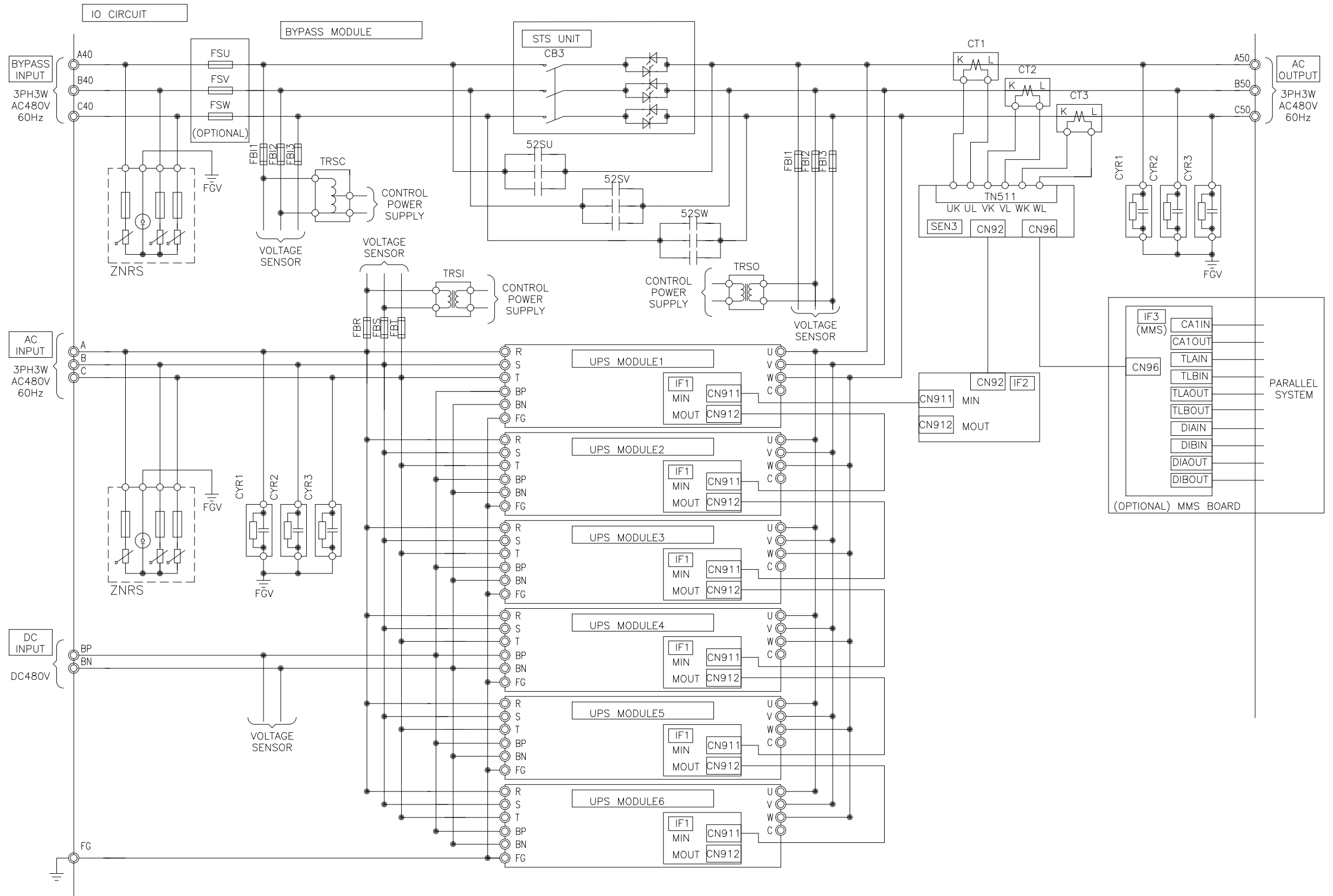


RIGHT SIDE VIEW

0 INITIAL RELEASE
 GDJ 11/16/16
 1. RELEASED FOR
 CONSTRUCTION
 AJK 6/22/2017
 2. NOTE 7
 ADDED.
 ZMZ 9/19/2017
 2. HEAT
 REJECTION VALUE
 CHANGED
 ZMZ 2/2/2018

DWG. No.	UD-100574	SCALE	NTS	DRAFTER	G. JOHNSTON	DATE	11/03/16
REF. DWG. No.		PROPRIETARY		CHECKED	M. BALMER	DATE	11/03/16
		THIS DOCUMENT IS PROPERTY OF MITSUBISHI ELECTRIC POWER PRODUCTS, INC. AND CONTAINS PROPRIETARY AND CONFIDENTIAL INFORMATION WHICH MUST NOT BE DUPLICATED, USED OR DISCLOSED OTHER THAN AS EXPRESSLY AUTHORIZED BY MITSUBISHI ELECTRIC POWER PRODUCTS, INC.		ENGINEER	K. BEAMER/A. SCHOTT	DATE	11/03/16
		APPROVED		DATE	K. BEAMER/A. SCHOTT	DATE	11/03/16
FILE LOCATION:	\\warppinsupsd01\engr\wip\docs\AutoCAD 2D						

MITSUBISHI ELECTRIC POWER PRODUCTS, INC.
 WARRENDALE, PA.
 TITLE: **OUTLINE 1**
9900CX 2100KVA
 SHEET 1 OF 4
 DWG No. UD-100574 REV: 3



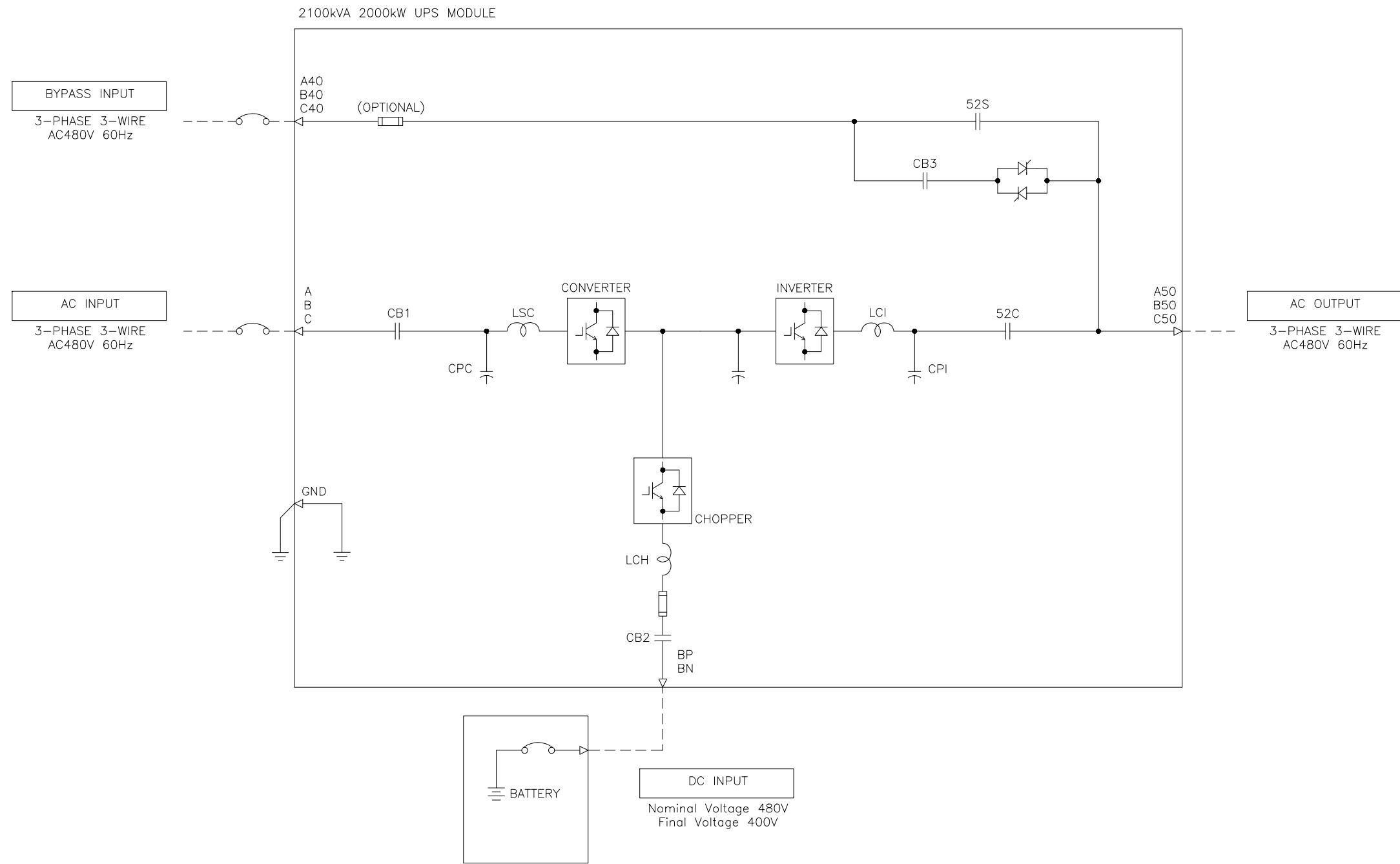
0 INITIAL RELEASE
 GDJ 11/16/16
 1-RELEASED FOR
 CONSTRUCTION
 AJK 6/22/2017

DWG. No.	UD-100574	SCALE	NTS	DRAFTER	G JOHNSTON	DATE	11/03/16
REF. DWG. No.		PROPRIETARY	THIS DOCUMENT IS PROPERTY OF MITSUBISHI ELECTRIC POWER PRODUCTS, INC. AND CONTAINS PROPRIETARY AND CONFIDENTIAL INFORMATION WHICH MUST NOT BE DUPLICATED, USED OR DISCLOSED OTHER THAN AS EXPRESSLY AUTHORIZED BY MITSUBISHI ELECTRIC POWER PRODUCTS, INC.				
APPROVED	K. BEAMER/A. SCHOTT	CHECKED	M BALMER	DATE	11/03/16	DATE	11/03/16
ENGINEER	K. BEAMER/A. SCHOTT	DATE	11/03/16	TITLE	SYSTEM CONFIGURATION 9900CX 2100KVA		
FILE LOCATION	\\warppinsupsd01\engr\wip\docs\AutoCADD 2D		DATE	11/03/16	SHEET 2 OF 4	REV:	0



MITSUBISHI ELECTRIC POWER PRODUCTS, INC. WARRENDALE, PA.

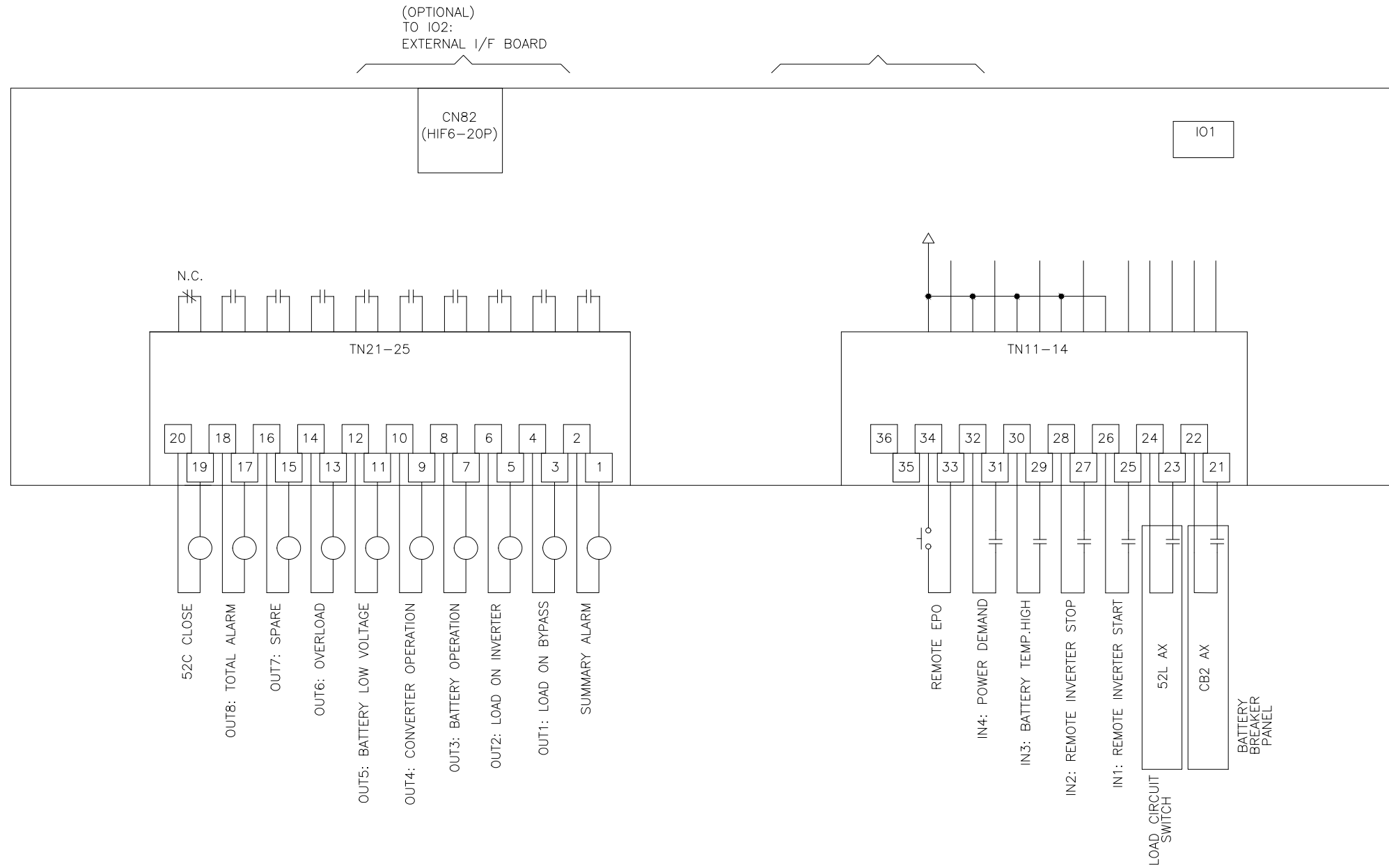
UD-100574 0



0 INITIAL RELEASE
GDJ 11/16/16
1-RELEASED FOR
CONSTRUCTION
AJK 6/22/2017

DIM. IN:	INCHES	SCALE:	NTS	DRAFTER:	G. JOHNSTON	DATE:	11/03/16
<small>THIS DOCUMENT IS PROPERTY OF MITSUBISHI ELECTRIC POWER PRODUCTS, INC. AND CONTAINS PROPRIETARY AND CONFIDENTIAL INFORMATION WHICH MUST NOT BE DUPLICATED, USED OR DISCLOSED OTHER THAN AS EXPRESSLY AUTHORIZED BY MITSUBISHI ELECTRIC POWER PRODUCTS, INC.</small>				CHECKED:	M. BALMER	DATE:	11/03/16
REF. DWG. No.		APPROVED:	K. BEAMER/A. SCHOTT	DATE:	11/03/16	TITLE: SINGLE LINE DIAGRAM 9900CX 2100KVA	
FILE LOCATION:	\\warppinsupsd01\engr\wip\docs\AutoCADD 2D			DATE:	11/03/16	SHEET 3 OF 4 UD-100574 0	





0 INITIAL RELEASE
GDJ 11/16/16
1-RELEASED FOR
CONSTRUCTION
AJK 6/22/2017

DIM. IN: INCHES	SCALE: NTS	DRAFTER: G JOHNSTON	DATE 11/03/16
<small>PROPRIETARY THIS DOCUMENT IS PROPERTY OF MITSUBISHI ELECTRIC POWER PRODUCTS, INC. AND CONTAINS PROPRIETARY AND CONFIDENTIAL INFORMATION WHICH MUST NOT BE DUPLICATED, USED OR DISCLOSED OTHER THAN AS EXPRESSLY AUTHORIZED BY MITSUBISHI ELECTRIC POWER PRODUCTS, INC.</small>		CHECKED: M BALMER	DATE 11/03/16
REF. DWG. No.	APPROVED: K.BEAMER/A.SCHOTT	ENGINEER: K.BEAMER/A.SCHOTT	DATE 11/03/16
FILE LOCATION: \\warppinsupsd01\engr\wip\docs\AutoCAD 2D			DATE 11/03/16

MITSUBISHI ELECTRIC
POWER PRODUCTS, INC.
WARRENDALE, PA.

TITLE:
SINGLE LINE DIAGRAM
9900CX 2100KVA

SHEET 4 OF 4
REV: 0