

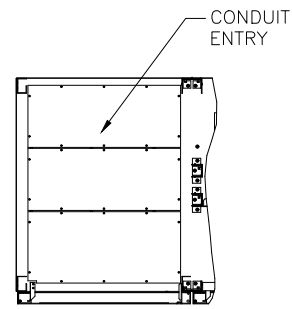
TYPE: 9900CX
 RATING: 1400kVA-3P3W-480V-60Hz
 HEAT REJECTION: 150.0kBTUs/hour (TYPICAL)

NOTES

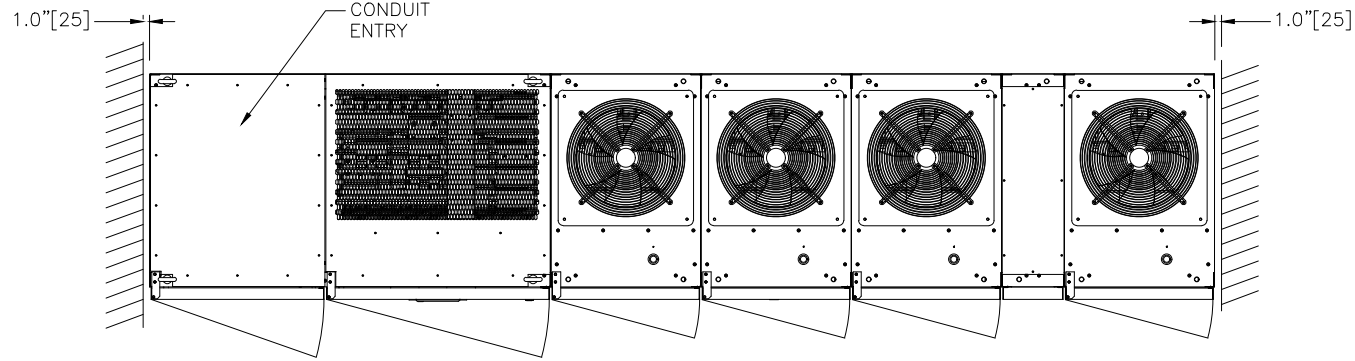
1. DIMENSIONS ARE SHOWN IN INCHES[MILLIMETERS].
2. SIDE SPACE '1"[25]' IS NOT REQUIRED WHEN SIDECARS ARE USED.
3. CABINET SHOULD BE MAINTAINED UPRIGHT WITHIN ±15° DURING HANDLING.
4. EACH BASE HAS 2 or 4 x 0.8"[20] DIAMETER HOLES TO FIX UPS ON THE GROUND.
5. LIFTING EYES OPTIONAL.
6. APPROXIMATE WEIGHT.

UPS MODULE (LEFT) 5,280LBS (2,400kg)
 UPS MODULE (RIGHT) 1,700LBS (850kg)
 BYPASS MODULE 2,200LBS (1,100kg)

7. FLOOR SHALL BE FLAT AND LEVEL TO 0.3" SURROUNDING UPS MOUNTING



BOTTOM CABLE ENTRY CROSS SECTION A-A

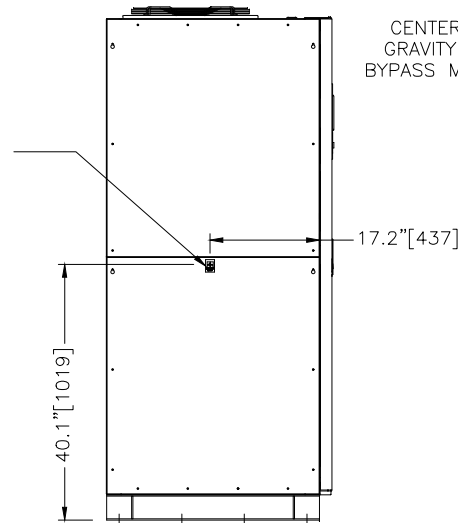


EACH DOOR R31.1"(790) 88°SWING MAX

TOP VIEW

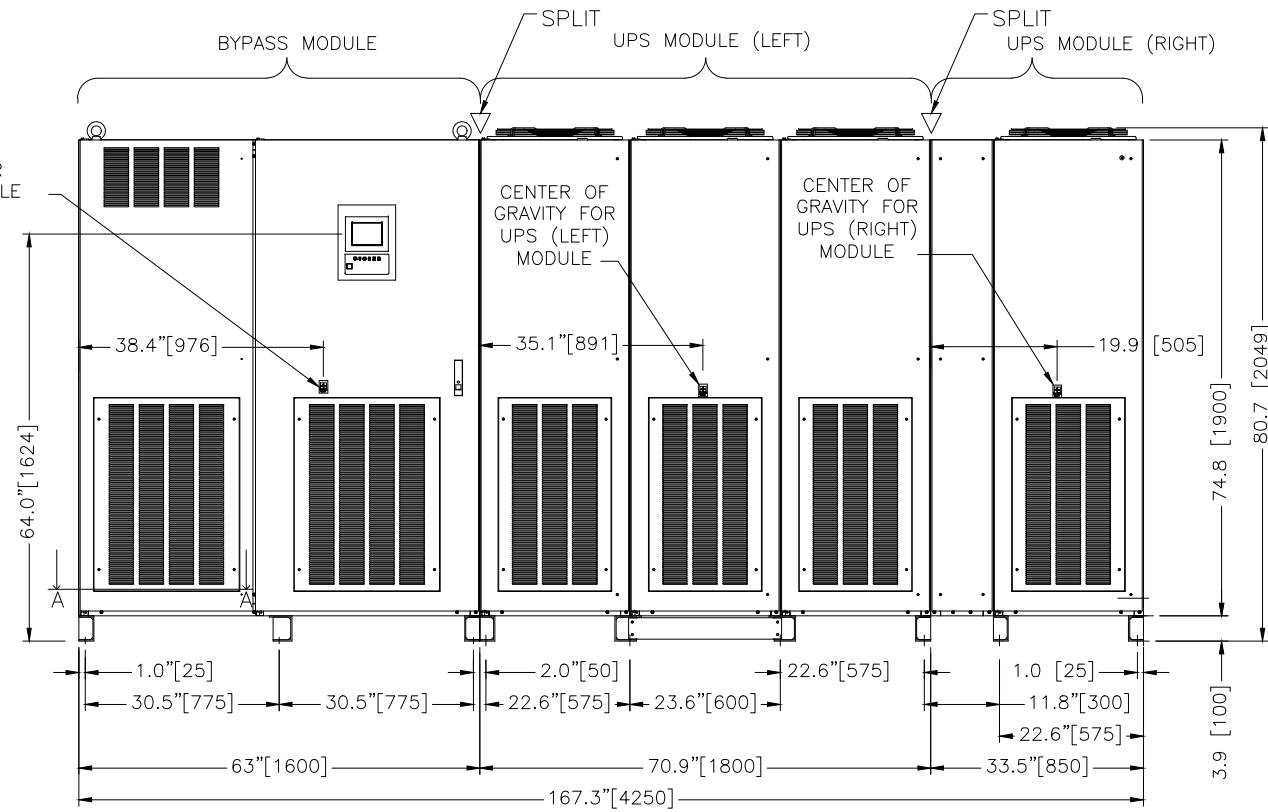
EACH DOOR R23.2"(590) 88°SWING MAX

CENTER OF GRAVITY FOR BYPASS MODULE

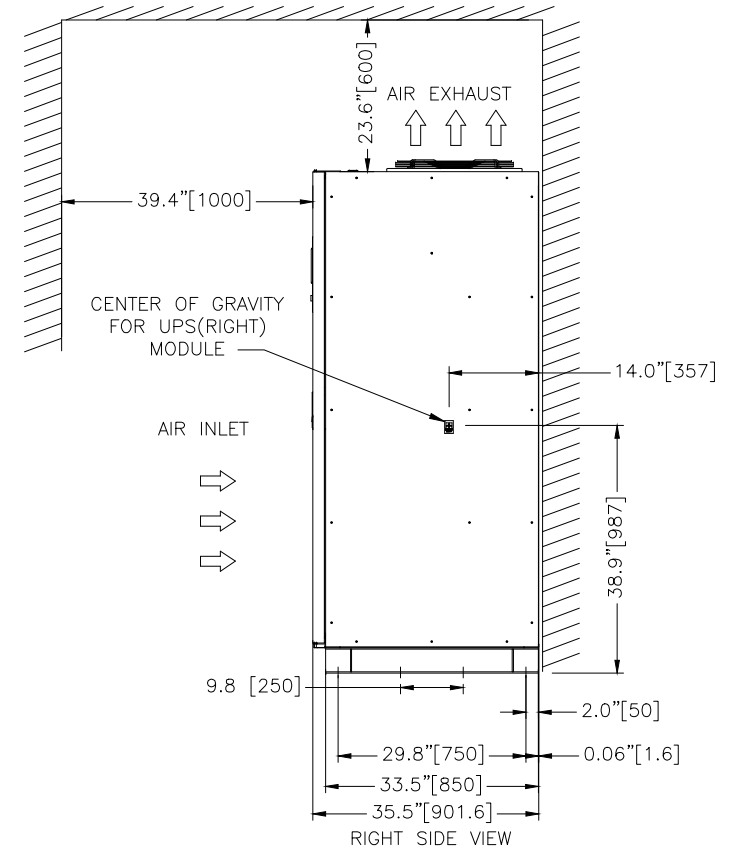


LEFT SIDE VIEW

CENTER OF GRAVITY FOR BYPASS MODULE



FRONT VIEW

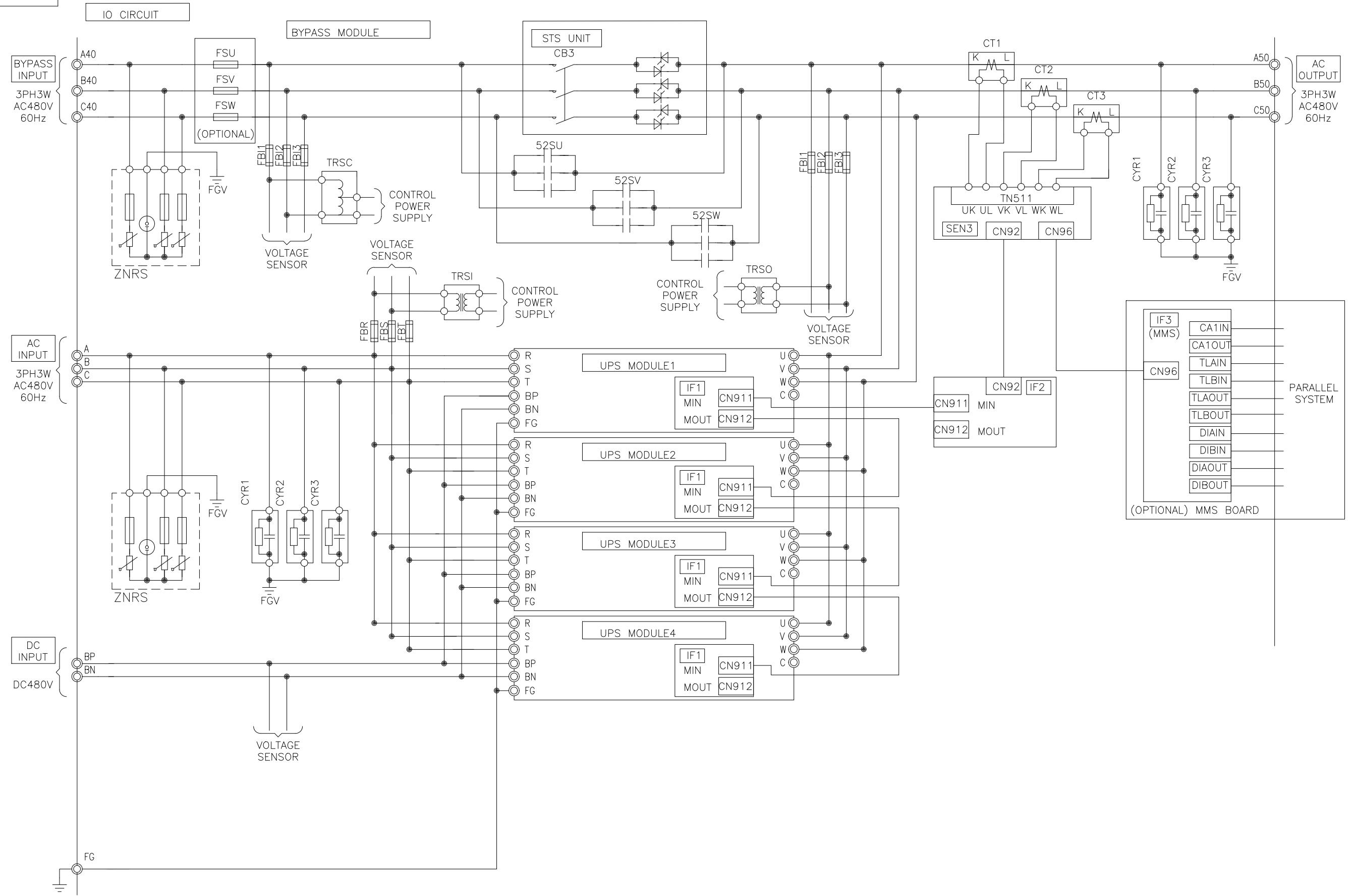


RIGHT SIDE VIEW

0 INITIAL RELEASE GDJ 11/16/16
 1. RELEASED FOR CONSTRUCTION AJK 6/22/2017
 2. NOTE 7 ADDED ZMZ 9/19/2017
 3. HEAT REJECTION VALUE CHANGED ZMZ 2/2/2018

DWG. No.	SCALE	DRAFTER	DATE
UD-100572	NTS	G JOHNSTON	11/02/16
REF. DWG. No.	PROPRIETARY	CHECKED	DATE
	THIS DOCUMENT IS PROPERTY OF MITSUBISHI ELECTRIC POWER PRODUCTS INC. AND CONTAINS PROPRIETARY AND CONFIDENTIAL INFORMATION WHICH MUST NOT BE DUPLICATED, USED OR DISCLOSED OTHER THAN AS EXPRESSLY AUTHORIZED BY MITSUBISHI ELECTRIC POWER PRODUCTS, INC.	M BALMER	11/02/16
		ENGINEER	DATE
		K.BEAMER/A.SCHOTT	11/02/16
		APPROVED	DATE
		K.BEAMER/A.SCHOTT	11/02/16

MITSUBISHI ELECTRIC POWER PRODUCTS, INC.
 WARRENDALE, PA.
 TITLE: OUTLINE 1
 9900CX 1400KVA
 SHEET 1 OF 4
 DWG No. UD-100572 REV: 3



0 INITIAL RELEASE
 GDJ 11/16/16
 1-RELEASED FOR
 CONSTRUCTION
 AJK 6/22/2017

DIM. IN:	INCHES	SCALE:	NTS	DRAFTER:	G JOHNSTON	DATE:	11/02/16
<small>THIS DOCUMENT IS PROPERTY OF MITSUBISHI ELECTRIC POWER PRODUCTS, INC. AND CONTAINS PROPRIETARY AND CONFIDENTIAL INFORMATION WHICH MUST NOT BE DUPLICATED, USED OR DISCLOSED OTHER THAN AS EXPRESSLY AUTHORIZED BY MITSUBISHI ELECTRIC POWER PRODUCTS, INC.</small>				CHECKED:	M BALMER	DATE:	11/02/16
REF. DWG. No.		APPROVED:	K.BEAMER/A.SCHOTT	DATE:	11/02/16	TITLE: SYSTEM CONFIGURATION 9900CX 1400KVA SHEET 2 OF 4	
FILE LOCATION:	\\warppinsupsd01\engr\wip\docs\AutoCAD 2D			REV:	0	DWG No. UD-100572	



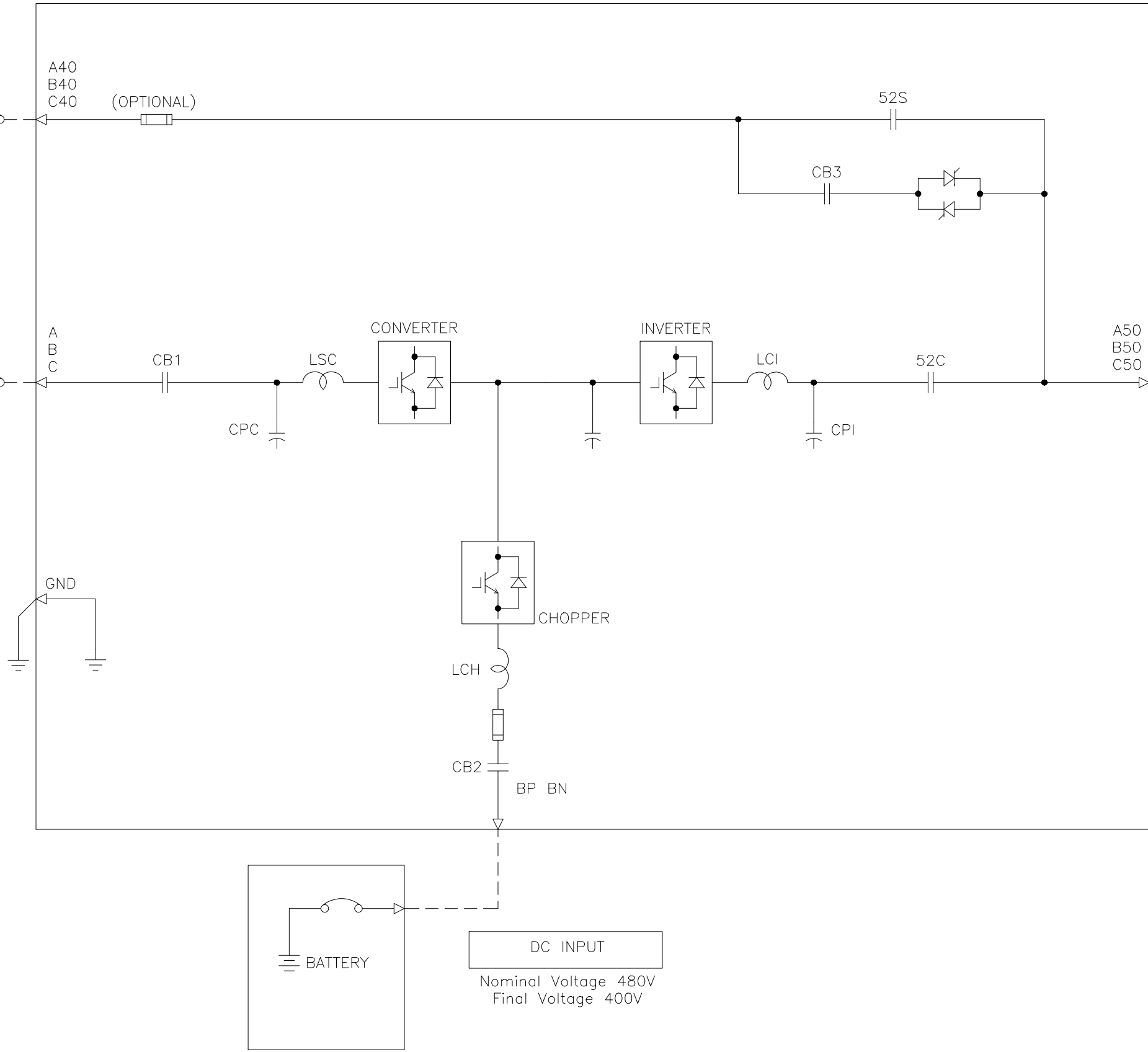
1400kVA 1330kW UPS MODULE

BYPASS INPUT
3-PHASE 3-WIRE
AC480V 60Hz

AC INPUT
3-PHASE 3-WIRE
AC480V 60Hz

AC OUTPUT
3-PHASE 3-WIRE
AC480V 60Hz

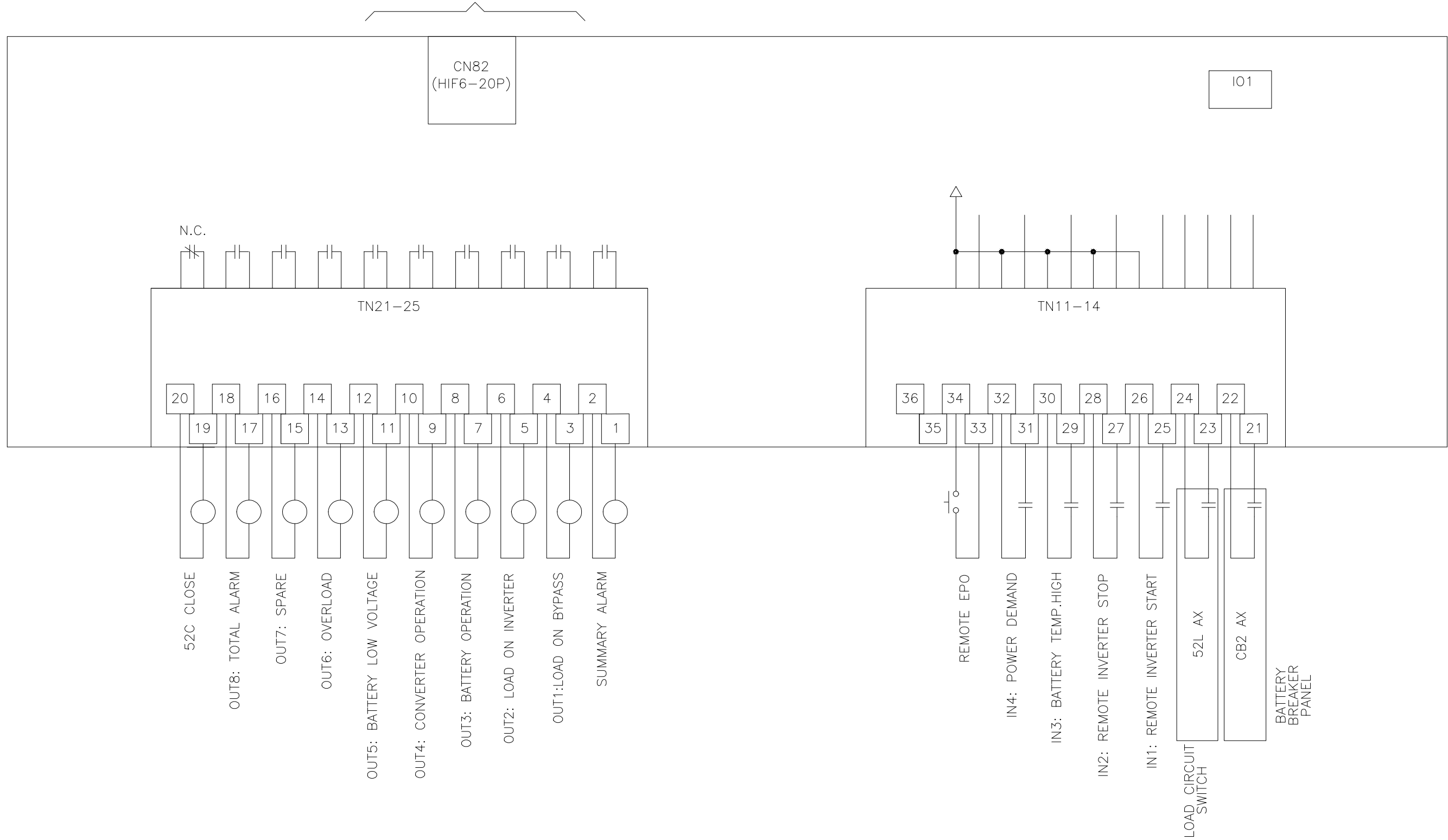
DC INPUT
Nominal Voltage 480V
Final Voltage 400V



0 INITIAL RELEASE
GDJ 11/16/16
1-RELEASED FOR
CONSTRUCTION
AJK 6/22/2017

DIM. IN: INCHES	SCALE: NTS	DRAFTER: G JOHNSTON	DATE: 11/02/16	<p>MITSUBISHI ELECTRIC POWER PRODUCTS, INC. WARRENDALE, PA.</p>
<small>PROPRIETARY THIS DOCUMENT IS PROPERTY OF MITSUBISHI ELECTRIC POWER PRODUCTS INC. AND CONTAINS PROPRIETARY AND CONFIDENTIAL INFORMATION WHICH MUST NOT BE DUPLICATED, USED OR DISCLOSED OTHER THAN AS EXPRESSLY AUTHORIZED BY MITSUBISHI ELECTRIC POWER PRODUCTS, INC.</small>		CHECKED: M BALMER	DATE: 11/02/16	
REF. DWG. No.	APPROVED: K.BEAMER/A.SCHOTT	DATE: 11/02/16	TITLE: SINGLE LINE DIAGRAM 9900CX 1400KVA	
FILE LOCATION: \\warappinsupsd01\engr\wip\docs\AutoCAD 2D			SHEET 3 OF 4 UD-100572 0	

(OPTIONAL)
TO IO2:
EXTERNAL I/F BOARD



0 INITIAL RELEASE
GDJ 11/16/16
1-RELEASED FOR
CONSTRUCTION
AJK 6/22/2017

DIM. IN: INCHES	SCALE: NTS	DRAFTER: G JOHNSTON	DATE 11/02/16
<small>PROPRIETARY THIS DOCUMENT IS PROPERTY OF MITSUBISHI ELECTRIC POWER PRODUCTS INC. AND CONTAINS PROPRIETARY AND CONFIDENTIAL INFORMATION WHICH MUST NOT BE DUPLICATED, USED OR DISCLOSED OTHER THAN AS EXPRESSLY AUTHORIZED BY MITSUBISHI ELECTRIC POWER PRODUCTS, INC.</small>		CHECKED: M BALMER	DATE 11/02/16
REF. DWG. No.	APPROVED: K.BEAMER/A.SCHOTT	ENGINEER: K.BEAMER/A.SCHOTT	DATE 11/02/16
FILE LOCATION: \\warppinsupsd01\enr\wip\docs\AutoCAD 2D			DATE 11/02/16
TITLE: SINGLE LINE DIAGRAM 9900CX 1400KVA			SHEET 4 OF 4 REV: 0
DWG No. UD-100572			0



MITSUBISHI ELECTRIC
POWER PRODUCTS, INC.
WARRENDALE, PA.