


MITSUBISHI 9900B 750kVA UPS & SIDECAR DIRECT CABLE CONFIGURATION

CUSTOMER -
PROJECT NUMBER -
PROJECT LOCATION -

TABLE OF CONTENTS

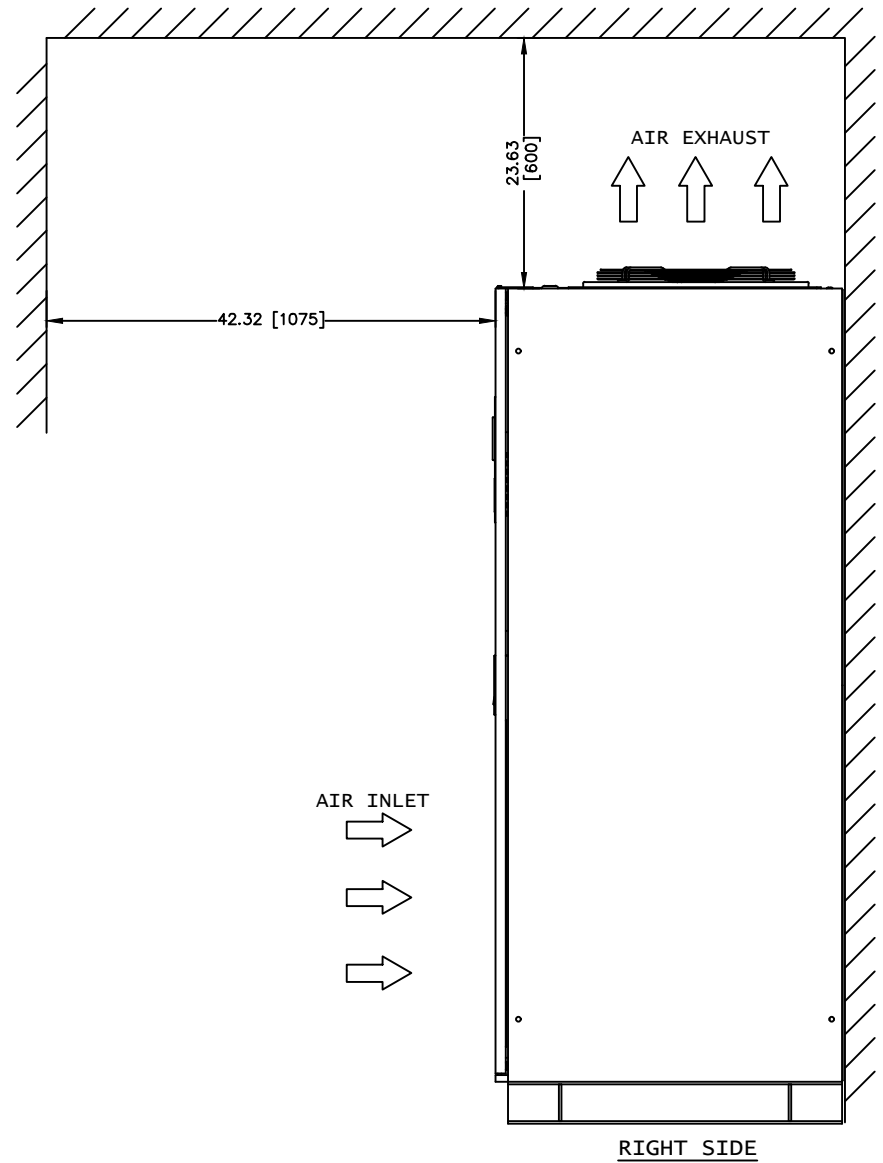
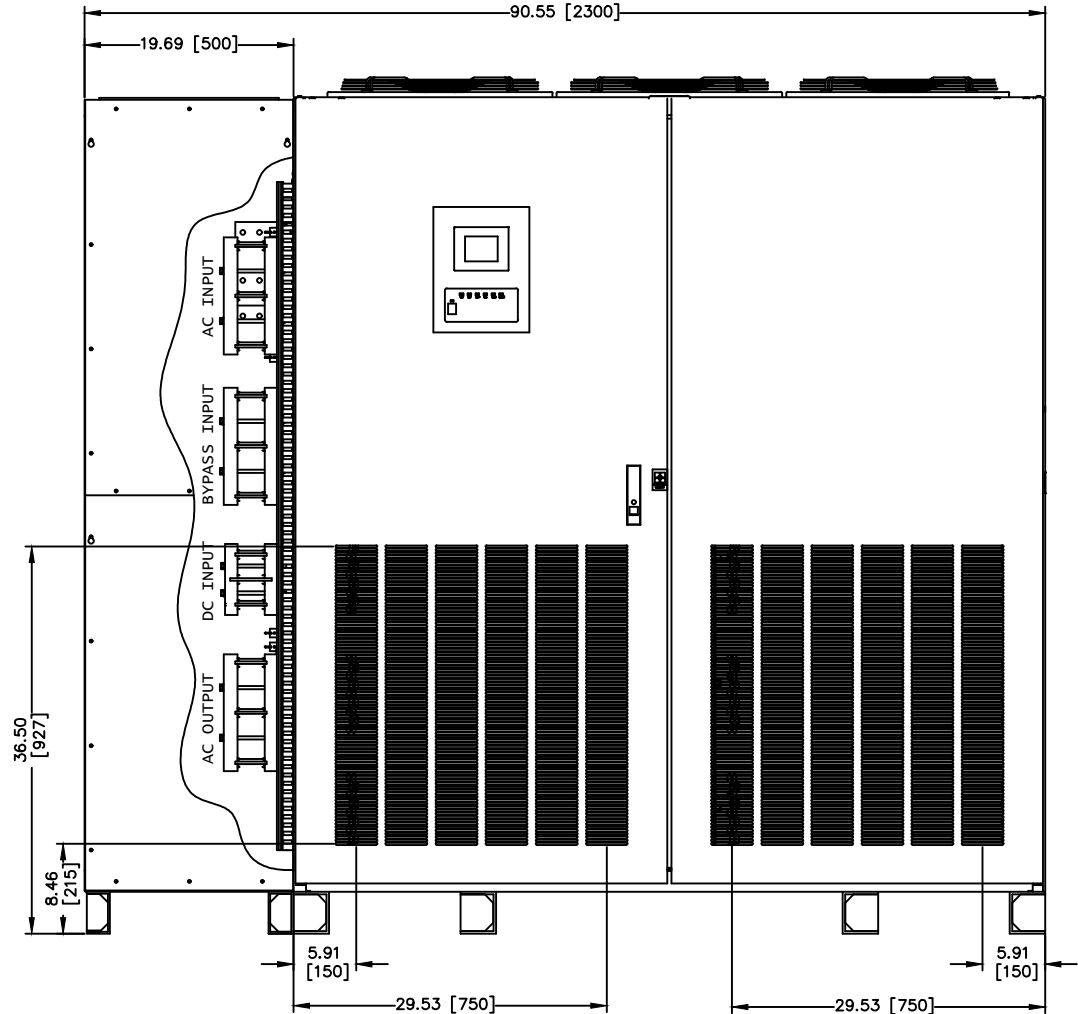
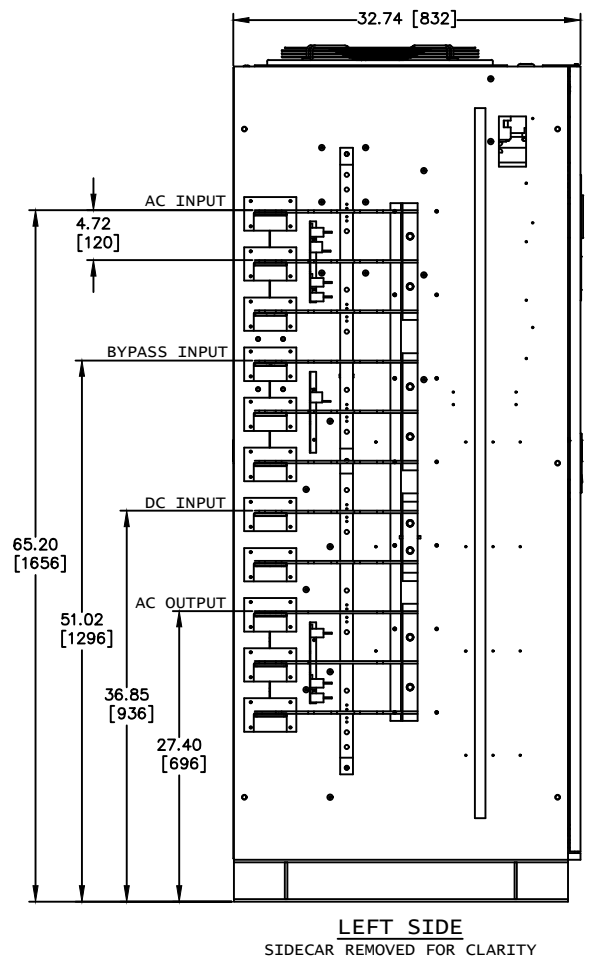
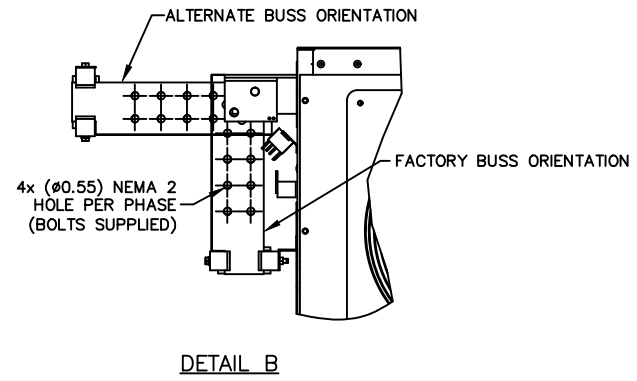
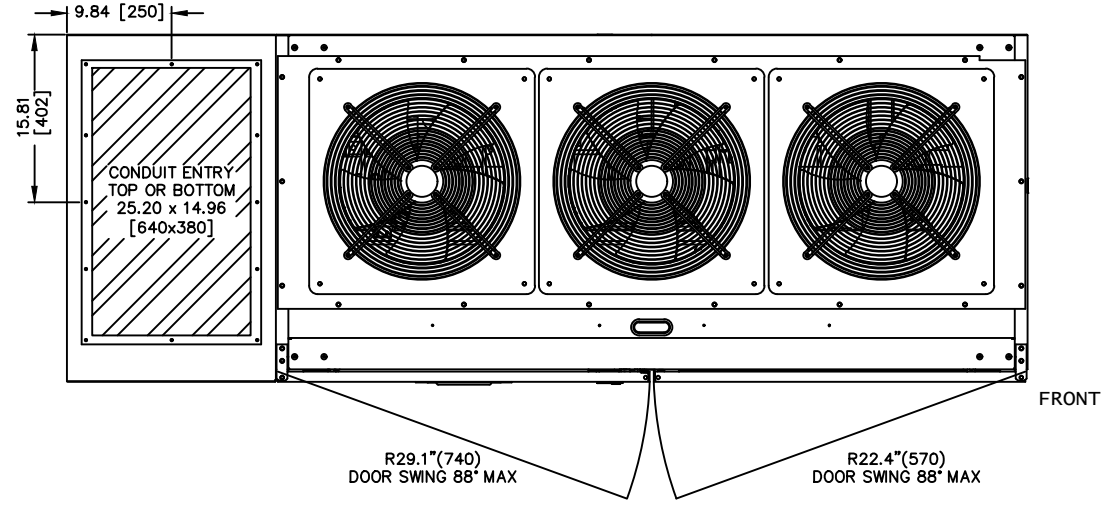
SHEET NO.	TITLE
01	COVER SHEET
02	750kVA UPS & SIDECAR DIRECT CABLE CONFIGURATION
03	750kVA UPS DETAIL
04	UPS ONE-LINE DIAGRAM
05	UPS ELECTRICAL SCHEMATIC
06	UPS CONTACT DIAGRAM
07	
08	
09	
10	
11	
12	
13	
14	
15	

REVISIONS	0 RELEASED FOR USE NRR 6/13/11
01 ELECTRICAL SCHEMATIC REVISED	JMB 5/12/12
02 BUS ELEVATIONS REVISED	JMB 5/04/12
03 GENERAL REVISIONS	NRR 6/27/12
04 REVISED CONDUIT ENTRY	RJM 7/13/12
05 REVISED DC GROUND	SPS 12/10/13
06 REVISED MOUNTING HOLES	RAL 5/7/14
07 GENERAL TEXT REVISION	NRR 12/30/14
08 GENERAL TEXT REVISION	GDJ 2/19/15
09 GENERAL TEXT REVISION	GDJ 7/15/15
10 CHANGED TEXT ON SHEET 2 OF 6	AJK 8/18/17
11 GENERAL TEXT REVISION	JM 5/6/18

DIM. IN: INCHES	SCALE: NTS	DRAFTER: T.DIEBLE	DATE: 06/03/11
<small>PROPRIETARY THIS DOCUMENT IS PROPERTY OF MITSUBISHI ELECTRIC POWER PRODUCTS INC. AND CONTAINS PROPRIETARY AND CONFIDENTIAL INFORMATION WHICH MUST NOT BE DUPLICATED, USED OR DISCLOSED OTHER THAN AS EXPRESSLY AUTHORIZED BY MITSUBISHI ELECTRIC POWER PRODUCTS INC.</small>		CHECKED: N.RIEMER	DATE: 06/03/11
		ENGINEER: N.RIEMER	DATE: 06/03/11
REF. DWG. No.	APPROVED:	 MITSUBISHI ELECTRIC POWER PRODUCTS, INC. WARRENDALE, PA.	
FILE LOCATION:	TITLE: 9900B 750kVA UPS STANDARD CONFIGURATION		DWG No. UD-100116 SHEET 1 OF 6 REV: 11

NOTES

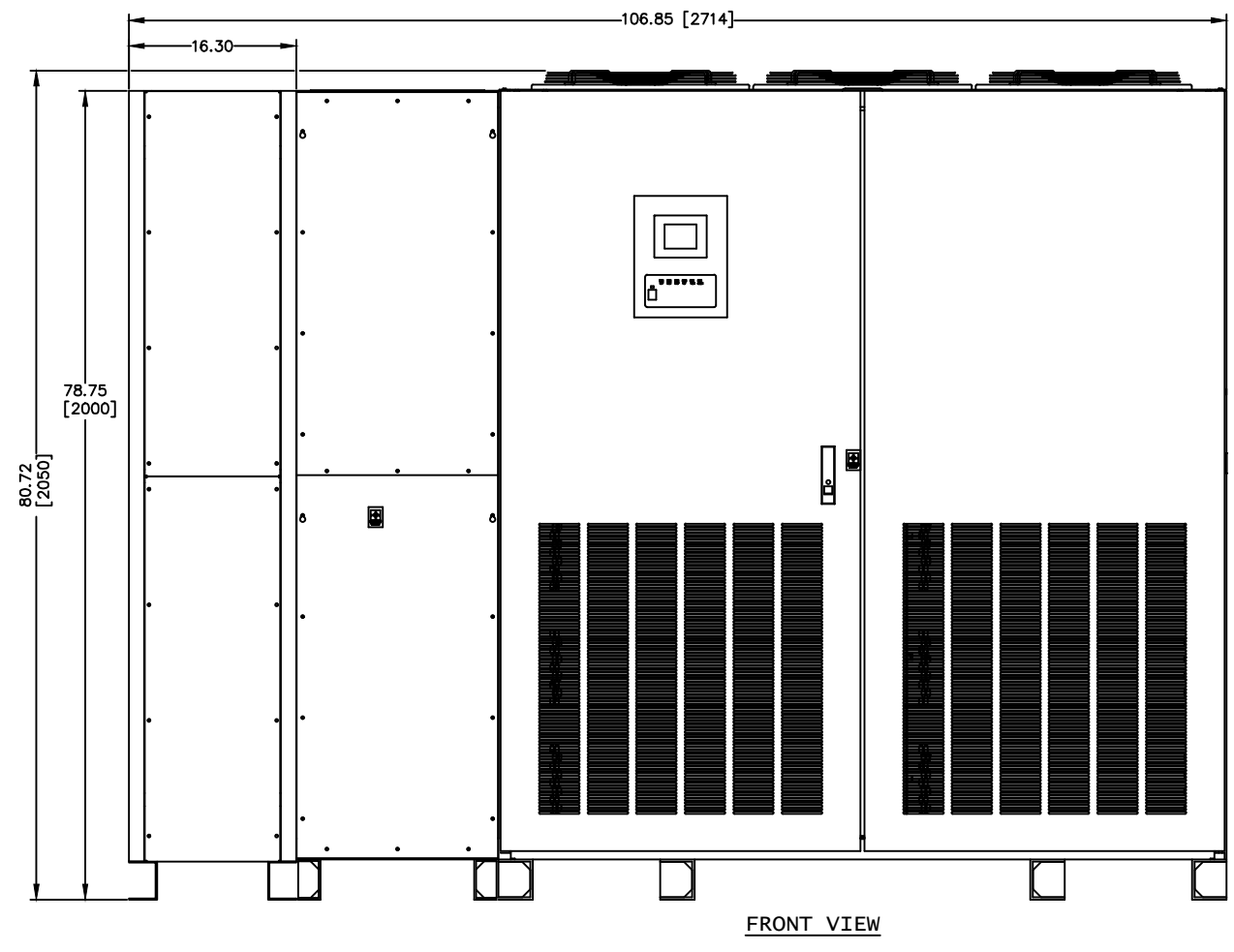
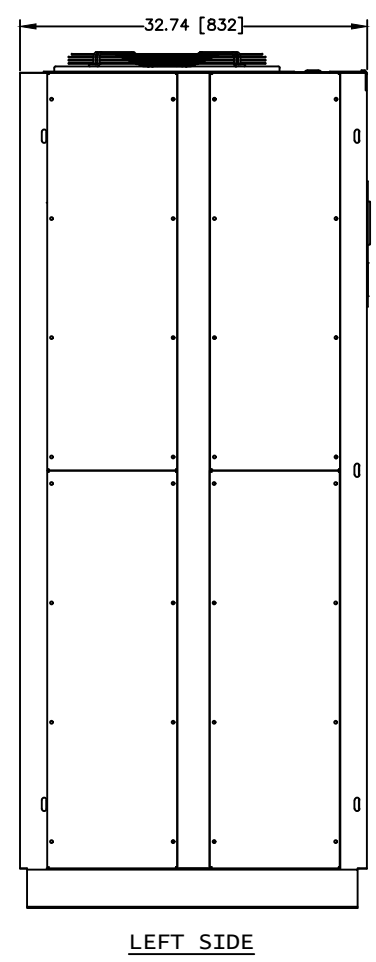
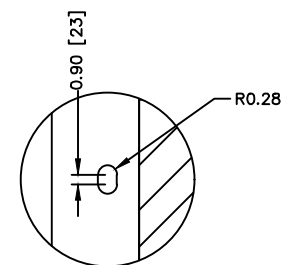
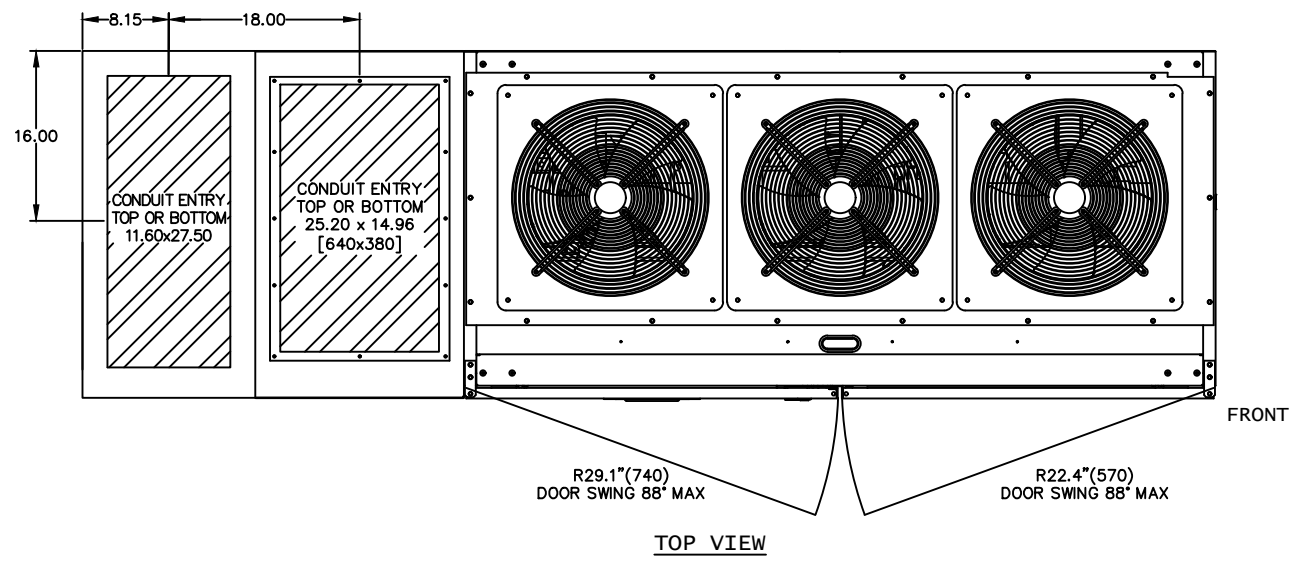
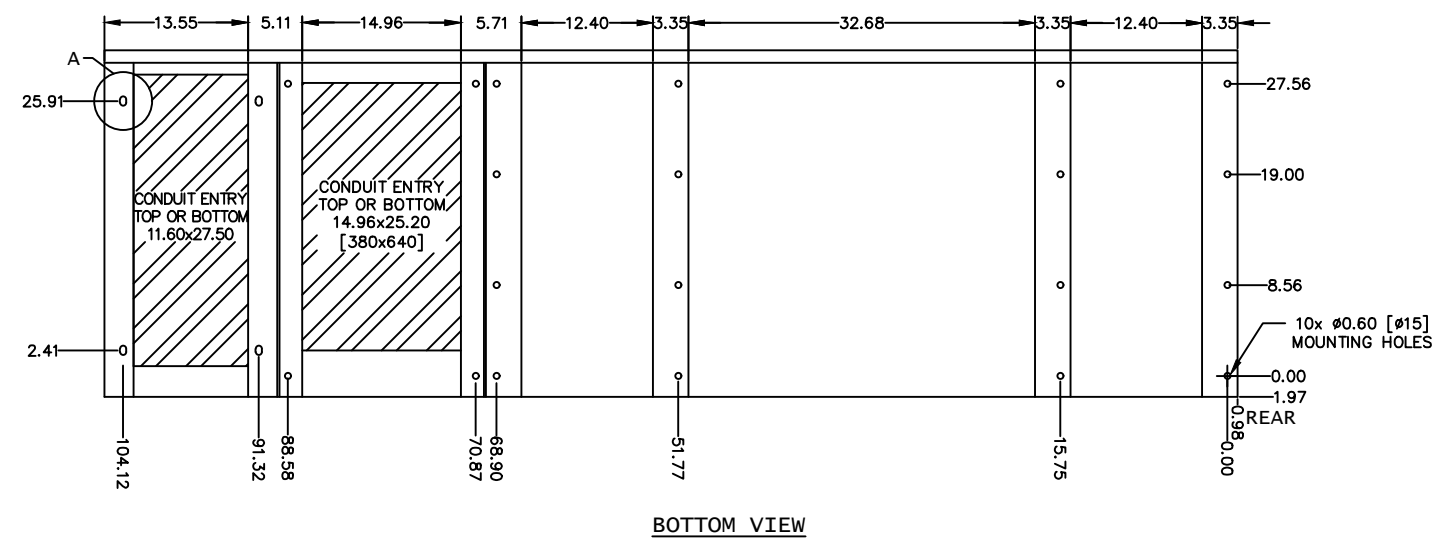
1. FIELD CABLES AND TERMINATIONS BY OTHERS. (AC INPUT, DC INPUT, BYPASS INPUT AND AC OUTPUT.)
2. PHASE ROTATION CLOCKWISE A, B, C.
3. 19.7" SIDECAR SHIPPED ATTACHED TO UPS.
4. CABINET MUST MAINTAIN ±15° UPRIGHT.
5. APPROXIMATE WEIGHT: 4,255LBS



REVISIONS	DATE	DESCRIPTION
0 RELEASED FOR USE	NRR 6/13/11	
01 ELECTRICAL SCHEMATIC REVISED	JMB 3/12/12	
02 BUS ELEVATIONS REVISED	JMB 5/04/12	
03 GENERAL REVISIONS	NRR 6/27/12	
04 REVISED CONDUIT ENTRY	RJM 7/13/12	
05 REVISED DC GROUND	SPS 12/10/13	
06 REVISED MOUNTING HOLES	RAL 5/7/14	
07 GENERAL TEXT REVISION	NRR 12/30/14	
08 GENERAL TEXT REVISION	GDJ 2/19/15	
09 GENERAL TEXT REVISION	GDJ 7/15/15	
10 CHANGED TEXT ON SHEET 2 OF 6	AJK 8/18/17	
11 GENERAL TEXT REVISION	JM 3/6/18	

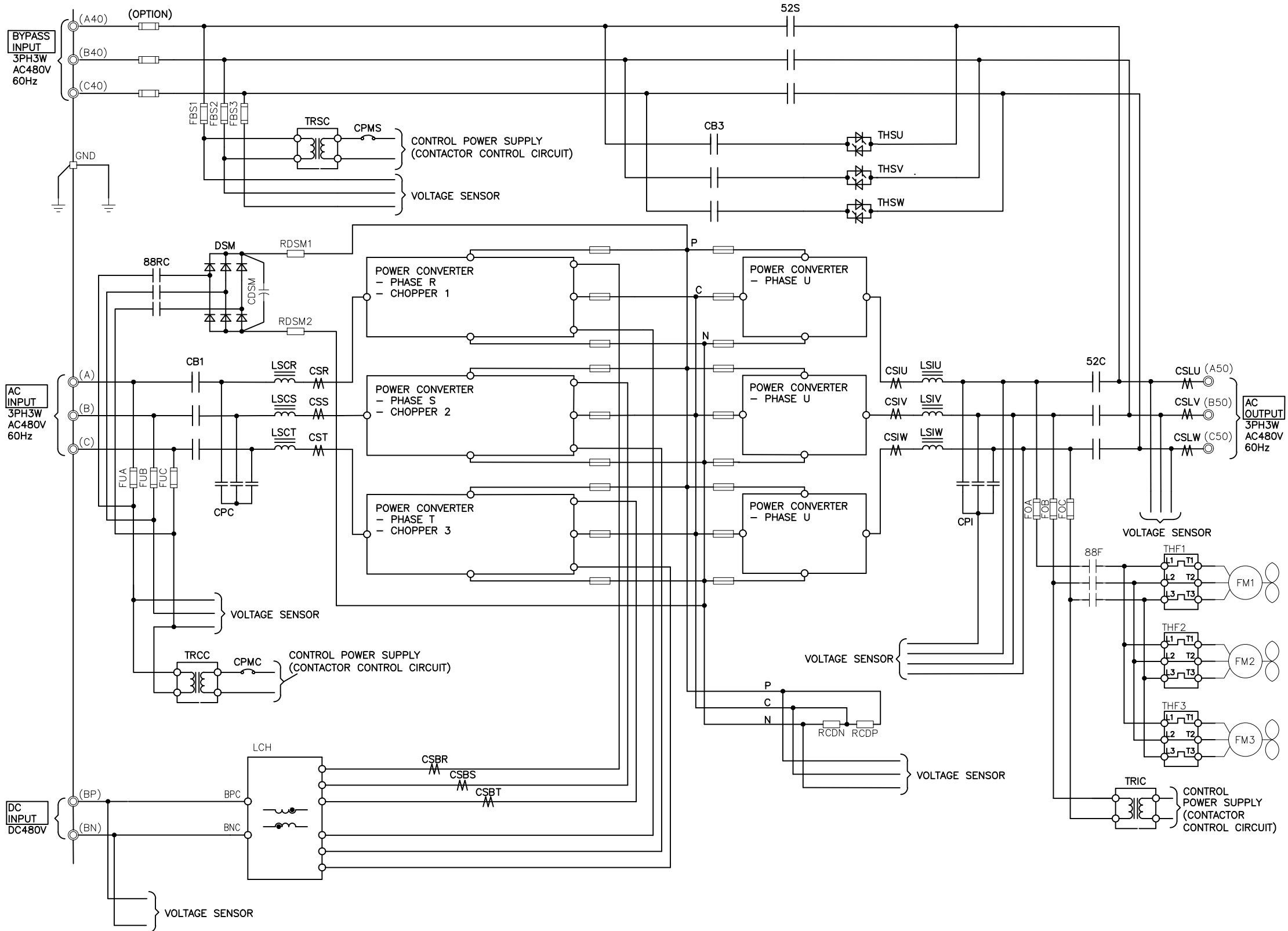
DWG. No. UD-100116	SCALE: NTS	DRAFTER: T.DIEBLE	DATE: 06/03/11
FILE LOCATION:	PROPRIETARY THIS DOCUMENT IS PROPERTY OF MITSUBISHI ELECTRIC POWER PRODUCTS INC. AND CONTAINS PROPRIETARY AND CONFIDENTIAL INFORMATION WHICH MUST NOT BE DUPLICATED, USED OR DISCLOSED OTHER THAN AS EXPRESSLY AUTHORIZED BY MITSUBISHI ELECTRIC POWER PRODUCTS INC.	CHECKED: N.RIEMER	DATE: 06/03/11
		ENGINEER: N.RIEMER	DATE: 06/03/11
		APPROVED:	DATE:

MITSUBISHI ELECTRIC POWER PRODUCTS, INC.
 WARRENDALE, PA.
 TITLE: **9900B 750kVA UPS STANDARD CONFIGURATION**
 SHEET 2 OF 6 REV: **11**



- NOTES**
1. FIELD CABLES AND TERMINATIONS BY OTHERS. (AC INPUT, DC INPUT, BYPASS INPUT AND AC OUTPUT.)
 2. PHASE ROTATION CLOCKWISE A, B, C.
 3. 16.3" SIDECAR SHIPPED SEPARATE FROM UPS.
 4. CABINET MUST MAINTAIN ±15° UPRIGHT.
 5. APPROXIMATE WEIGHT WITH EXTRA SIDECAR: 4,525LBS

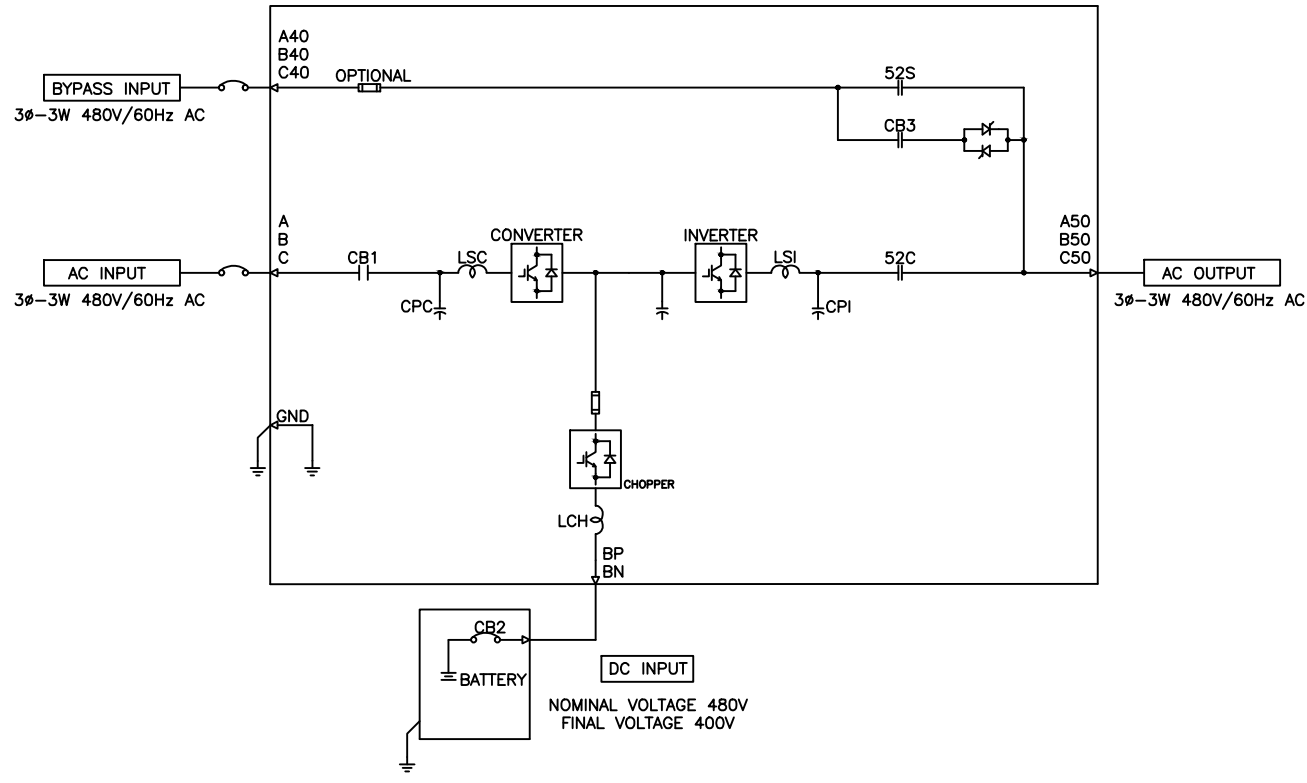
REVISIONS 0 RELEASED FOR USE NRR 6/13/11 01 ELECTRICAL SCHEMATIC REVISED JMB 3/12/12 02 BUS ELEVATIONS REVISED JMB 5/04/12 03 GENERAL REVISIONS NRR 6/27/12 04 REVISED CONDUIT ENTRY RJM 7/13/12 05 REVISED DC GROUND SPS 12/10/13 6 REVISED MOUNTING HOLES RAL 5/7/14 7 GENERAL TEXT REVISION NRR 12/30/14 8 GENERAL TEXT REVISION GDJ 2/19/15 9 GENERAL TEXT REVISION GDJ 7/15/15 TO CHANGED TEXT ON SHEET 2 OF 6 A/K 8/18/17 11 GENERAL TEXT REVISION JM 3/6/18	DIM. IN: INCHES SCALE: NTS DRAFTER: T.DIEBLE DATE: 06/03/11 CHECKED: N.RIEMER DATE: 06/03/11 ENGINEER: N.RIEMER DATE: 06/03/11 APPROVED:	REF. DWG. No. FILE LOCATION:	TITLE: 9900B 750kVA UPS STANDARD CONFIGURATION DWG No. UD-100116 SHEET 3 OF 6 REV: 11	
	PROPRIETARY THIS DOCUMENT IS PROPERTY OF MITSUBISHI ELECTRIC POWER PRODUCTS INC. AND CONTAINS PROPRIETARY AND CONFIDENTIAL INFORMATION WHICH MUST NOT BE DUPLICATED, USED OR DISCLOSED OTHER THAN AS EXPRESSLY AUTHORIZED BY MITSUBISHI ELECTRIC POWER PRODUCTS INC.	MITSUBISHI ELECTRIC POWER PRODUCTS, INC. WARRENDALE, PA.		



REVISIONS
0 RELEASED FOR USE NRR 6/13/11
01 ELECTRICAL SCHEMATIC REVISED JMB 3/12/12
02 BUS ELEVATIONS REVISED JMB 5/04/12
03 GENERAL REVISIONS NRR 6/27/12
04 REVISED CONDUIT ENTRY RJM 7/13/12
05 REVISED DC GROUND SPS 12/10/13
6 REVISED MOUNTING HOLES RAL 5/7/14
7 GENERAL TEXT REVISION NRR 12/30/14
8 GENERAL TEXT REVISION GDJ 2/19/15
9 GENERAL TEXT REVISION GDJ 7/15/15
10 CHANGED TEXT ON SHEET 2 OF 6 AJK 8/18/17
11 GENERAL TEXT REVISION JM 3/6/18

DIM. IN: INCHES	SCALE: NTS	DRAFTER: T.DIEBLE	DATE: 06/03/11
PROPRIETARY THIS DOCUMENT IS PROPERTY OF MITSUBISHI ELECTRIC POWER PRODUCTS INC. AND CONTAINS PROPRIETARY AND CONFIDENTIAL INFORMATION WHICH MUST NOT BE DUPLICATED, USED OR DISCLOSED OTHER THAN AS EXPRESSLY AUTHORIZED BY MITSUBISHI ELECTRIC POWER PRODUCTS INC.		CHECKED: N.RIEMER	DATE: 06/03/11
REF. DWG. No.	APPROVED:	ENGINEER: N.RIEMER	DATE: 06/03/11
FILE LOCATION:	TITLE: 9900B 750kVA UPS STANDARD CONFIGURATION		

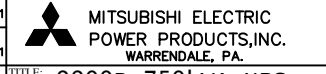
MITSUBISHI ELECTRIC POWER PRODUCTS, INC. WARRENDALE, PA.	
TITLE: 9900B 750kVA UPS STANDARD CONFIGURATION	
DWG. No. UD-100116	SHEET 4 OF 6 11



750kVA 750kW UPS MODULE

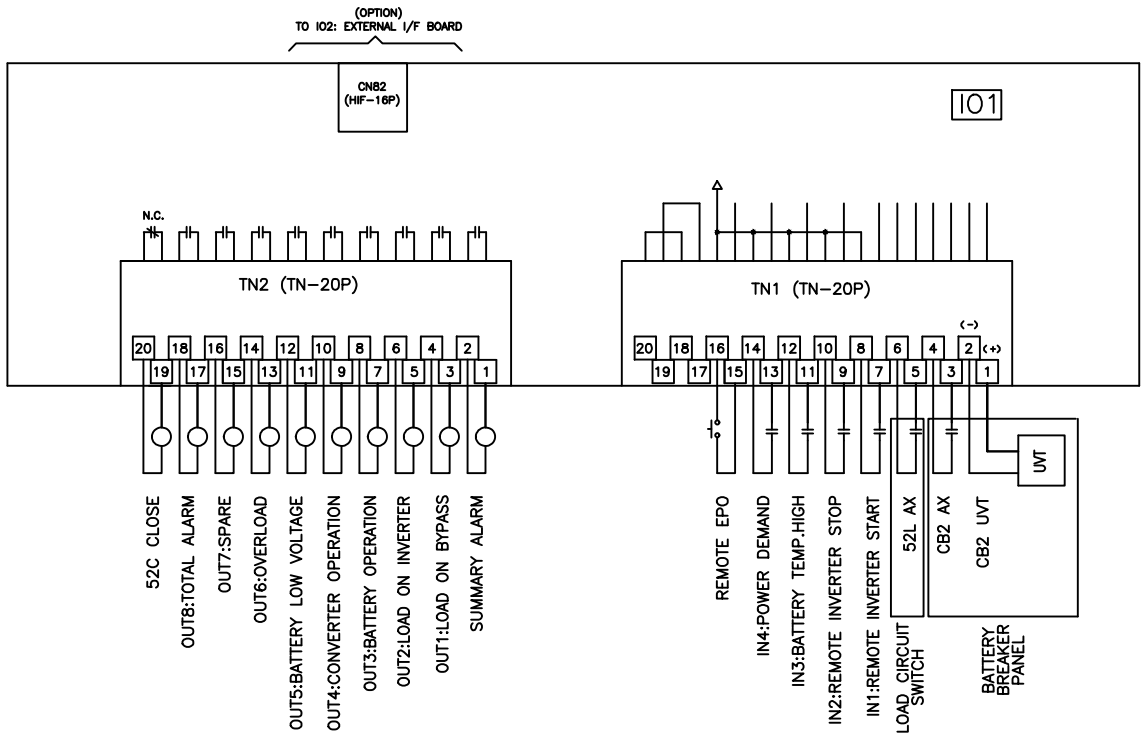
REVISIONS
0 RELEASED FOR USE NRR 6/13/11
01 ELECTRICAL SCHEMATIC REVISED JMB 3/12/12
02 BUS ELEVATIONS REVISED JMB 5/04/12
03 GENERAL REVISIONS NRR 6/27/12
04 REVISED CONDUIT ENTRY RJM 7/13/12
05 REVISED DC GROUND SPS 12/10/13
06 REVISED MOUNTING HOLES RAL 5/7/14
07 GENERAL TEXT REVISION NRR 12/30/14
08 GENERAL TEXT REVISION GDJ 2/19/15
09 GENERAL TEXT REVISION GDJ 7/15/15
10 CHANGED TEXT ON SHEET 2 OF 6 AJK 8/18/17
11 GENERAL TEXT REVISION JM 3/6/18

DIM. IN: INCHES	SCALE: NTS	DRAFTER: T.DIEBLE	DATE: 06/03/11
<small>PROPRIETARY THIS DOCUMENT IS PROPERTY OF MITSUBISHI ELECTRIC POWER PRODUCTS INC. AND CONTAINS PROPRIETARY AND CONFIDENTIAL INFORMATION WHICH MUST NOT BE DUPLICATED, USED OR DISCLOSED OTHER THAN AS EXPRESSLY AUTHORIZED BY MITSUBISHI ELECTRIC POWER PRODUCTS INC.</small>		CHECKED: N.RIEMER	DATE: 06/03/11
REF. DWG. No.		ENGINEER: N.RIEMER	DATE: 06/03/11
FILE LOCATION:		APPROVED:	DATE:
UD-100116			11



TITLE: 9900B 750kVA UPS STANDARD CONFIGURATION

WARRENDALE, PA. SHEET 5 OF 6



UPS CONNECTION DIAGRAM

REVISIONS
0 RELEASED FOR USE NRR 6/13/11
01 ELECTRICAL SCHEMATIC REVISED JMB 3/12/12
02 BUS ELEVATIONS REVISED JMB 5/04/12
03 GENERAL REVISIONS NRR 6/27/12
04 REVISED CONDUIT ENTRY RJM 7/13/12
05 REVISED DC GROUND SPS 12/10/13
6 REVISED MOUNTING HOLES RAL 5/7/14
7 GENERAL TEXT REVISION NRR 12/30/14
8 GENERAL TEXT REVISION GDJ 2/19/15
9 GENERAL TEXT REVISION GDJ 7/15/15
10 CHANGED TEXT ON SHEET 2 OF 6 AJK 8/18/17
11 GENERAL TEXT REVISION JM 3/6/18

DIM. IN: INCHES	SCALE: NTS	DRAFTER: T.DIEBLE	DATE: 06/03/11
PROPRIETARY THIS DOCUMENT IS PROPERTY OF MITSUBISHI ELECTRIC POWER PRODUCTS INC. AND CONTAINS PROPRIETARY AND CONFIDENTIAL INFORMATION WHICH MUST NOT BE DUPLICATED, USED OR DISCLOSED OTHER THAN AS EXPRESSLY AUTHORIZED BY MITSUBISHI ELECTRIC POWER PRODUCTS INC.		CHECKED: N.RIEMER	DATE: 06/03/11
REF. DWG. No.	APPROVED:	ENGINEER: N.RIEMER	DATE: 06/03/11
FILE LOCATION:			TITLE: 9900B 750kVA UPS STANDARD CONFIGURATION SHEET 6 OF 6 DWG No. UD-100116 REV: 11