

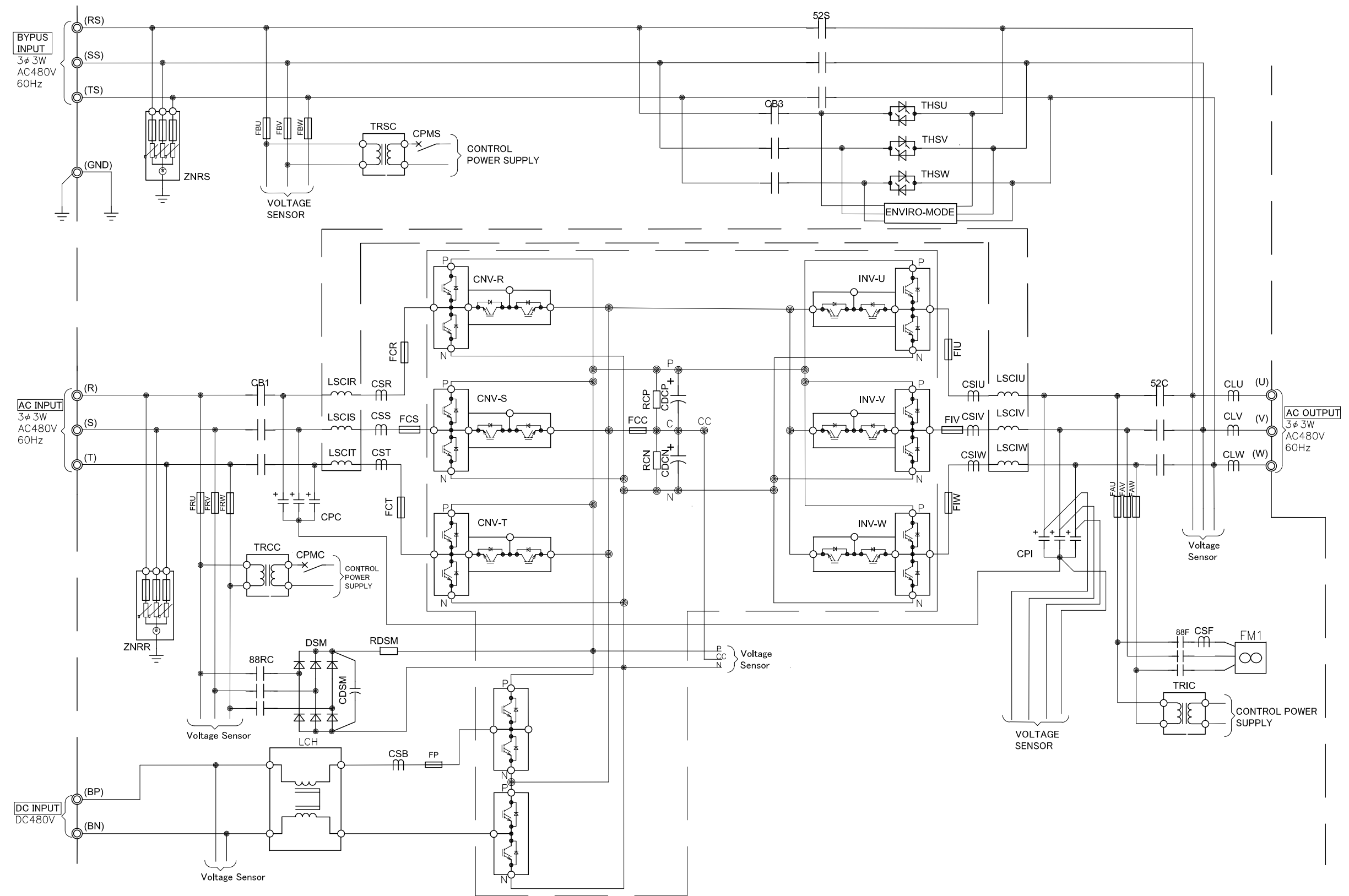
MITSUBISHI 9900 AEGIS SERIES 80-160KVA UPS SALES DRAWING

PROJECT -
CUSTOMER -

SHEET NO.	TITLE			
1	COVER SHEET			
2	SYSTEM CONFIGURATION			
3	SINGLE LINE DIARGAM			
4	UPS OUTLINE-1			
5	UPS OUTLINE-2			
6	UPS CONNECTION DIAGRAM			

REVISIONS
0. RELEASED ZZA/JAC
7/10/17

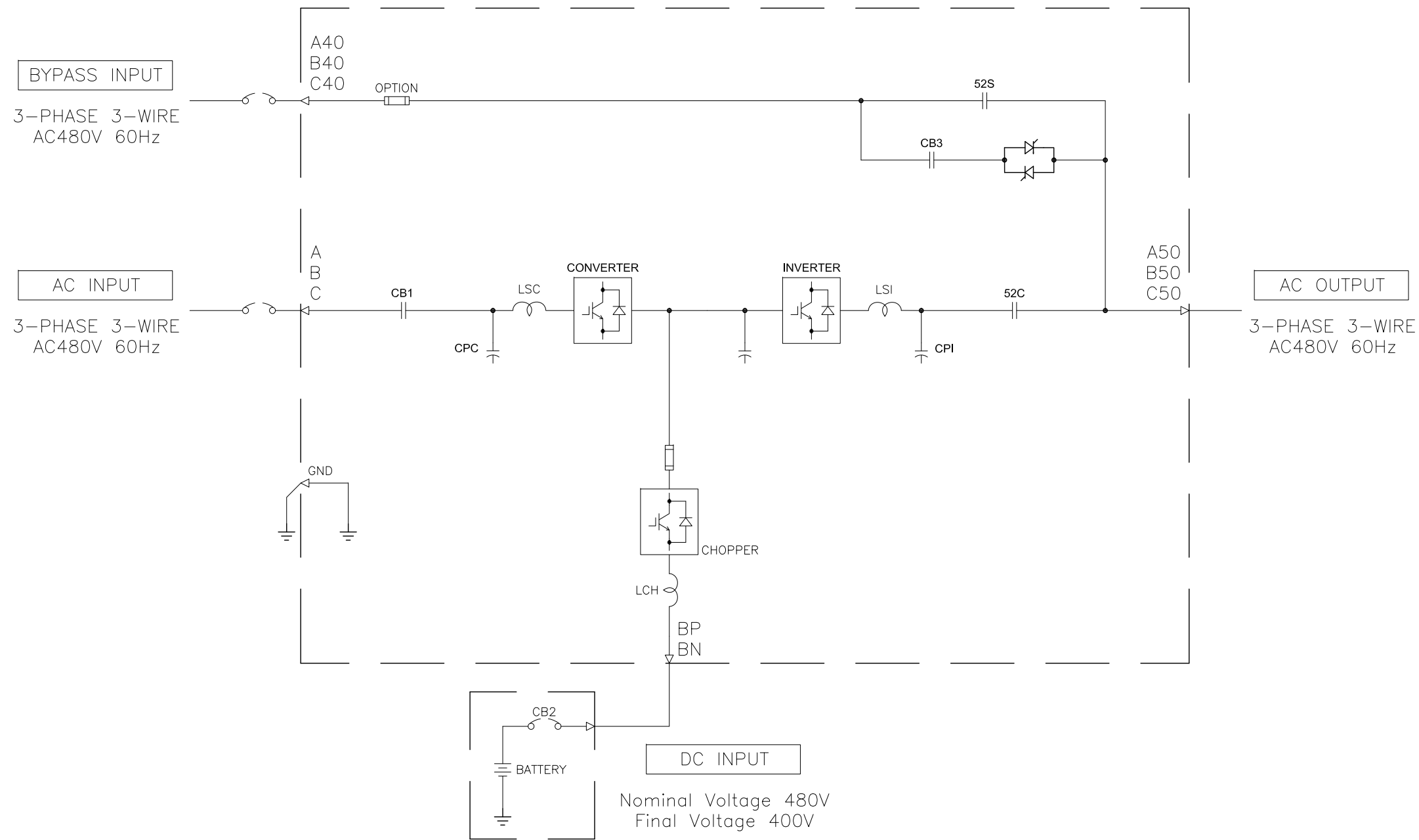
DIMENSIONS IN: IN (MM) REF	SCALE - NTS -	DRAFTER Z.Zajac	DATE 7/6/17	MITSUBISHI ELECTRIC
This document is the property of Mitsubishi Electric Power Products, Inc. and contains proprietary and confidential information which must not be duplicated, used or disclosed other than as expressly authorized by Mitsubishi Electric Power Products, Inc.		CHECKED N.RIEMER	DATE 7/6/17	
QUALITY CONTROL VALIDATION STAMP		ENGINEER K.BEAMER	DATE 7/6/17	TITLE 9900 Aegis 80-160kVA
		APPROVED N.RIEMER	DATE 7/6/17	DWG. NO. SHEET 1 OF 6 REV. UD-100653 0



SYSTEM CONFIGURATION

REVISIONS
0. RELEASED ZZA-JAC
7/10/17

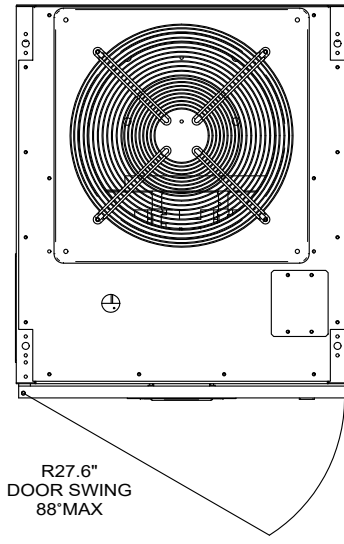
DIMENSIONS IN: IN (MM) REF	SCALE	DRAFTER	DATE	MITSUBISHI ELECTRIC
	- NTS -	Z.Zajac	7/6/17	
	PROPRIETARY	CHECKED	DATE	
	This document is the property of Mitsubishi Electric Power Products, Inc. and contains proprietary and confidential information which must not be duplicated, used or disclosed other than as expressly authorized by Mitsubishi Electric Power Products, Inc.	N.RIEMER	7/6/17	
QUALITY CONTROL VALIDATION STAMP	APPROVED	DATE	TITLE	9900 Aegis 80-160kVA
	N.RIEMER	7/6/17	DWG. NO.	
			SHEET 2 OF 6	REV.
			UD-100653	0



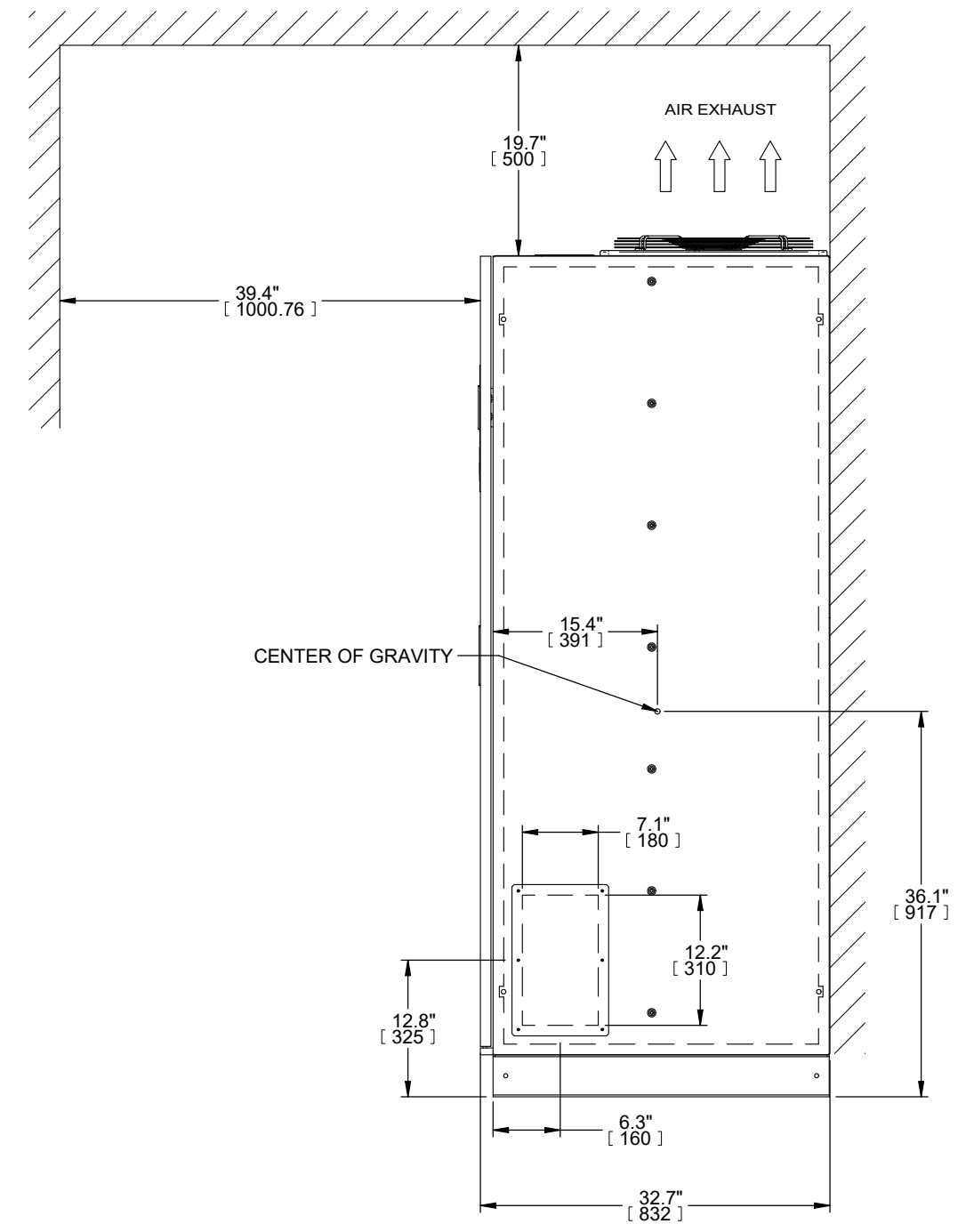
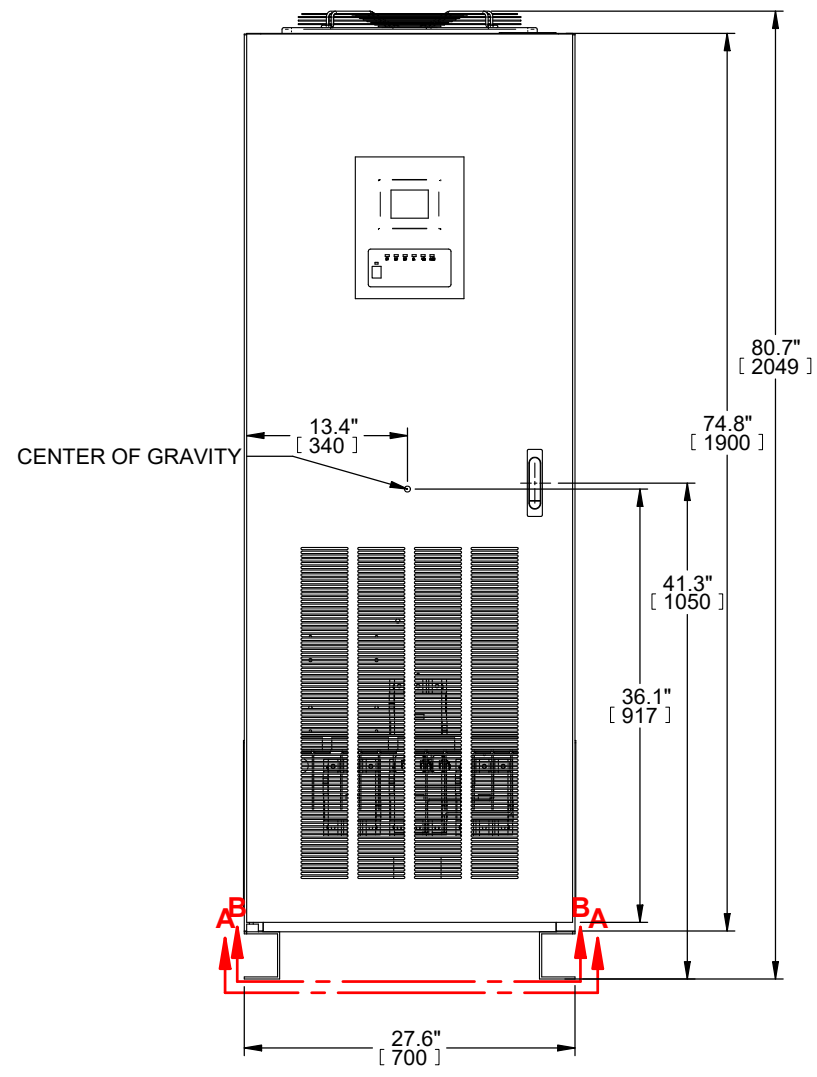
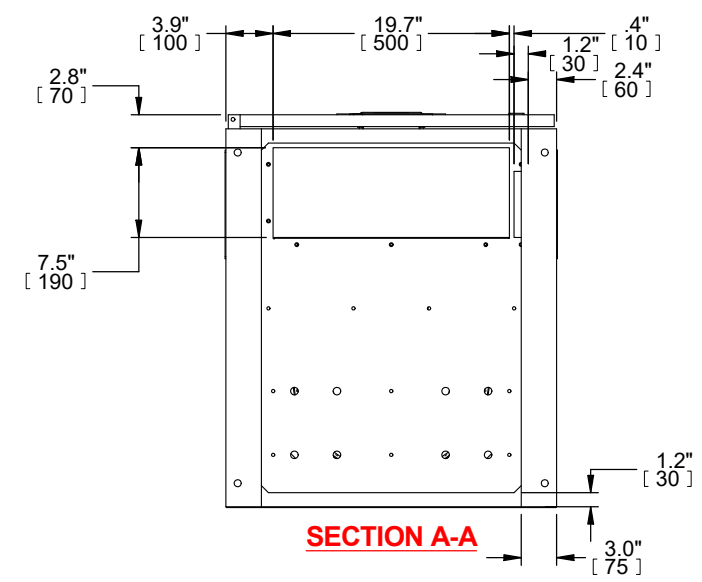
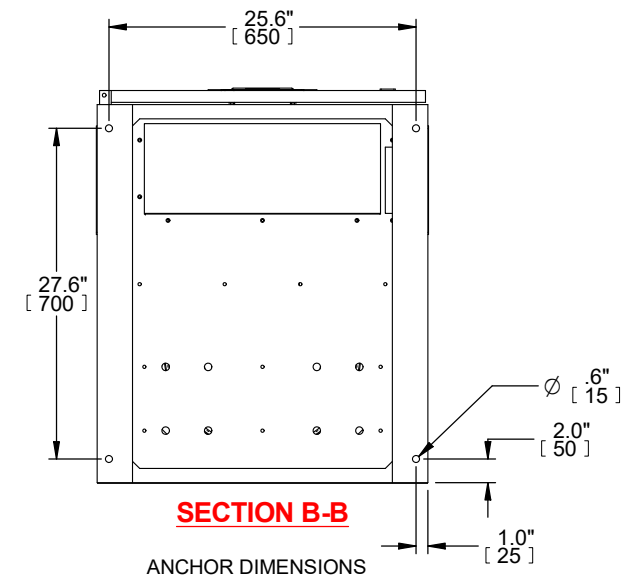
SINGLE LINE DIAGRAM

REVISIONS
0. RELEASED Z.ZAJAC
7/10/17

DIMENSIONS IN: IN (MM) REF	SCALE - NTS -	DRAFTER Z.Zajac	DATE 7/6/17	<p>MITSUBISHI ELECTRIC</p>
<small>PROPRIETARY</small> <small>This document is the property of Mitsubishi Electric Power Products, Inc. and contains proprietary and confidential information which must not be duplicated, used or disclosed other than as expressly authorized by Mitsubishi Electric Power Products, Inc.</small>		CHECKED N.RIEMER	DATE 7/6/17	
<small>QUALITY CONTROL VALIDATION STAMP</small>		ENGINEER K.BEAMER	DATE 7/6/17	TITLE 9900 Aegis 80-160kVA
		APPROVED N.RIEMER	DATE 7/6/17	DWG. NO. UD-100653 SHEET 3 OF 6 REV. 0



- NOTES**
1. DIMENSIONS ARE SHOWN IN INCHES (MILLIMETERS).
 2. SIDE SPACE 1" IS NOT REQUIRED WHEN SIDE CARS ARE USED.
 3. CABINET SHOULD BE MAINTAINED UPRIGHT WITHIN ±15° DURING HANDLING.
 4. APPROXIMATE WEIGHTS
 160KVA : 860 LBS (390KG)
 150KVA : 860 LBS (390KG)
 100KVA : 771 LBS (350KG)
 80KVA : 771 LBS (350KG)



REVISIONS	0. RELEASED Z.ZAJAC	7/10/17
-----------	---------------------	---------

FABRICATION TOLERANCE	
NOMINAL SIZE	TOLERANCE
ANGLES	±0.01°
HOLE TO MATERIAL EDGE	±0.01
HOLE TO FORMED EDGE	±0.01
HOLE TO HOLE	±0.005
FORMED EDGE TO FORMED EDGE	±0.01
FORMED EDGE TO WELDED EDGE < 48.0	±0.03
FORMED EDGE TO WELDED EDGE > 48.0	±0.06
PANEL DISTORTION OVER 48.0in	0.03 MAX

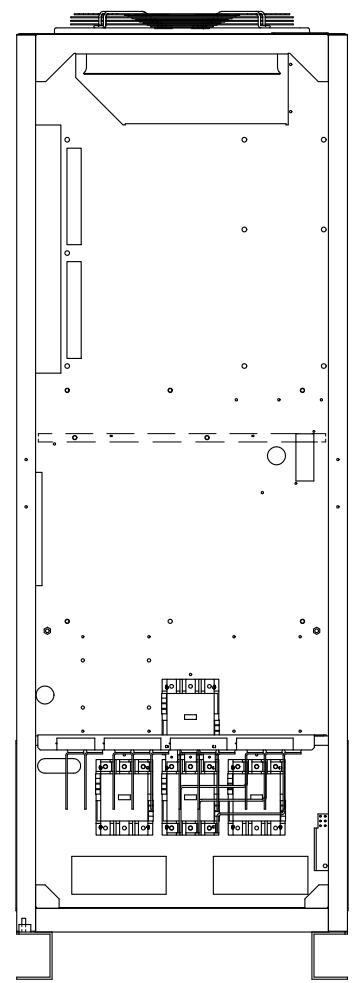
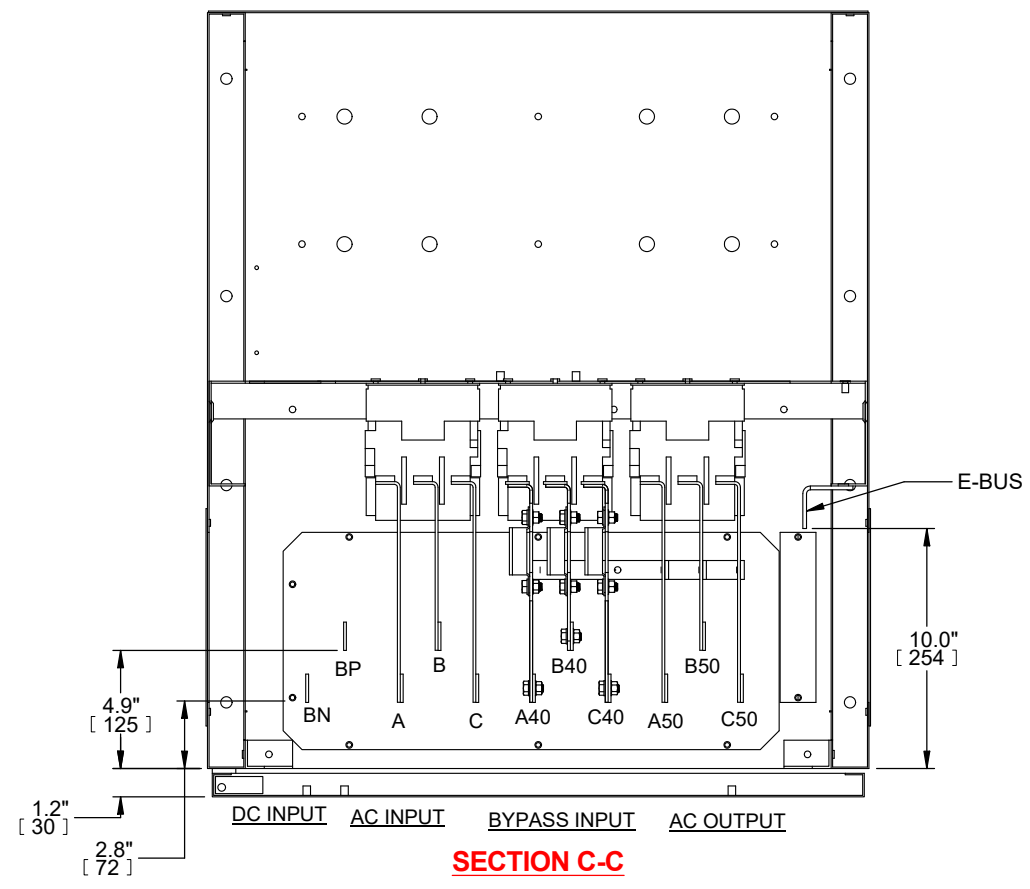
DIMENSIONS IN:	SCALE
IN [MM] (REP)	- NTS -
PROPRIETARY This document is the property of Mitsubishi Electric Power Products, Inc. and contains proprietary and confidential information which must not be duplicated, used or disclosed other than as expressly authorized by Mitsubishi Electric Power Products, Inc.	

DRAFTER	DATE
Z.ZAJAC	7/5/17
APPROVED	DATE
N.RIEMER	7/5/17
CORE [REFERENCE] DRAWING If there is a core drawing insert that here	

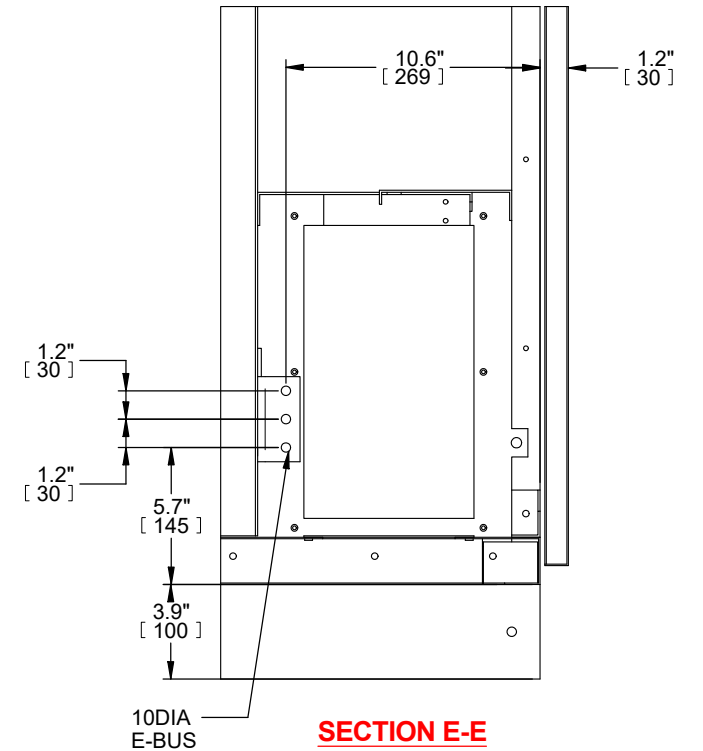
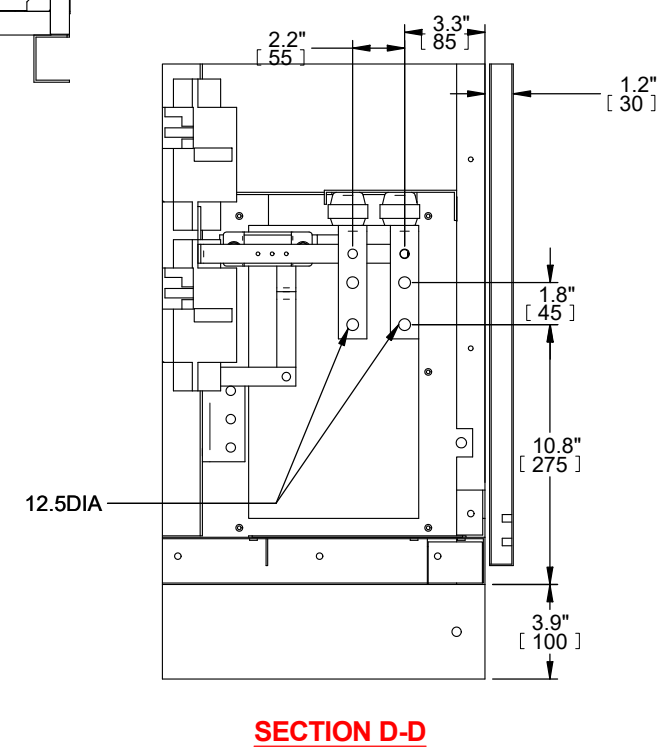
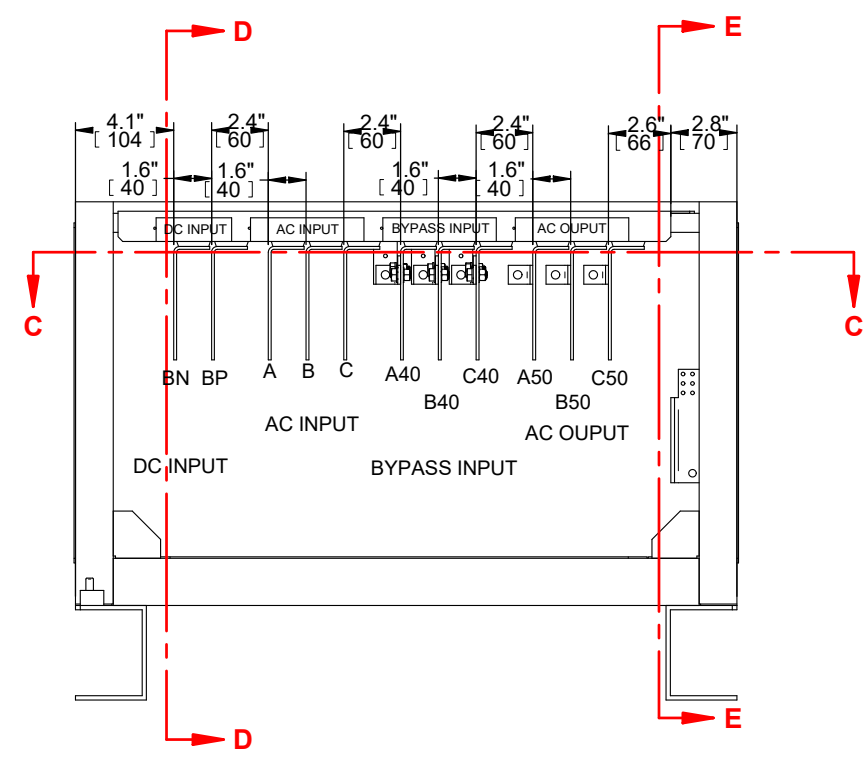
MITSUBISHI ELECTRIC

TITLE: **9900 AEGIS 160KVA**

DWG. NO. UD-100653 SHEET 4 OF 6 REV. 0



NOTES
 5. EXTERNAL WIRING MATERIALS FOR AC INPUT, DC INPUT, BYPASS INPUT, AND AC OUTPUT SHOULD BE SUPPLIED BY CUSTOMER (OUT OF SCOPE OF SUPPLY FROM MITSUBISHI).
 6. A,B,C, CLOCKWISE ROTATION



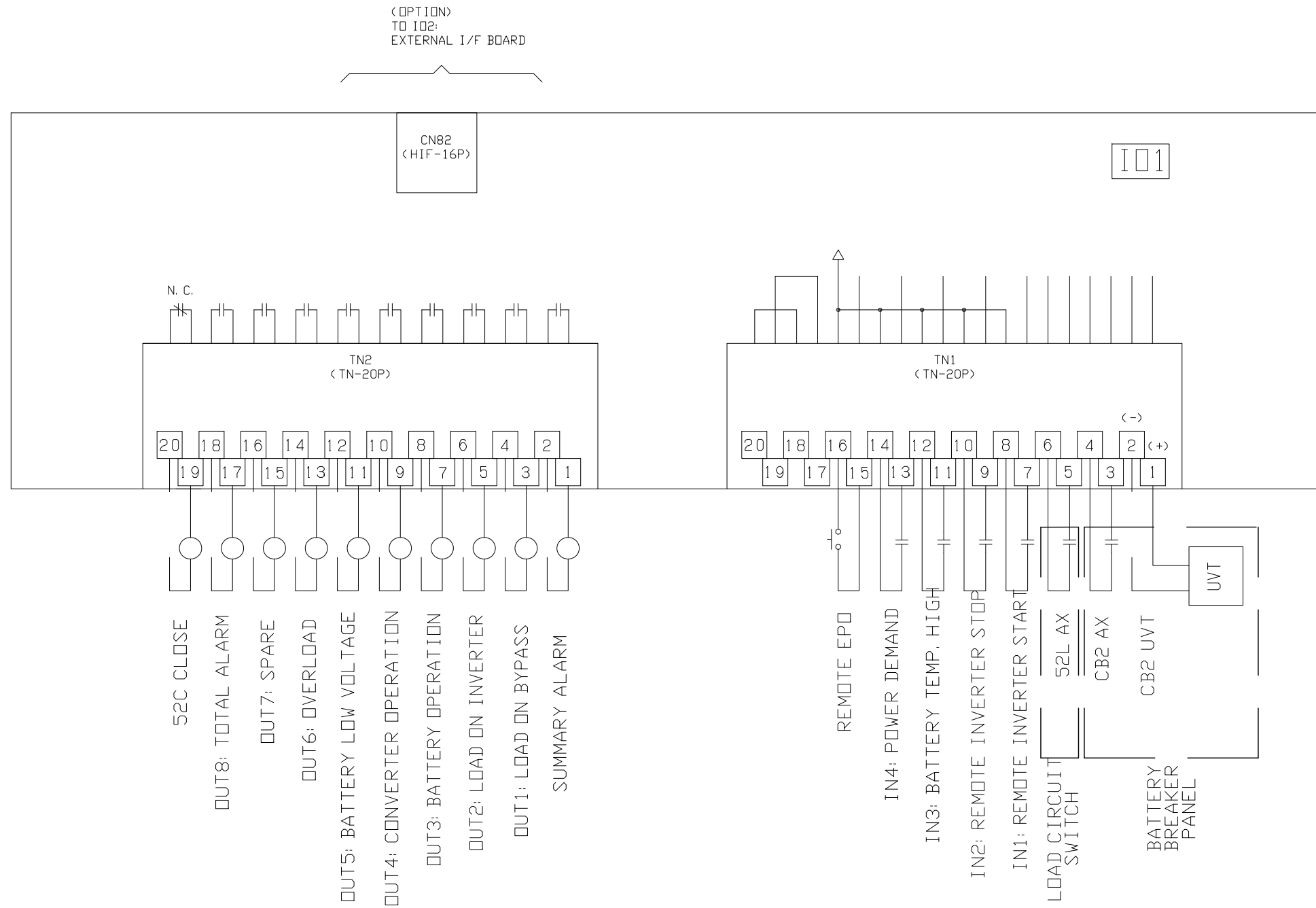
REVISIONS	0. RELEASED Z.ZAJAC 7/10/17
-----------	--------------------------------

FABRICATION TOLERANCE	
NOMINAL SIZE	TOLERANCE
ANGLES	±0.01°
HOLE TO MATERIAL EDGE	±0.01
HOLE TO FORMED EDGE	±0.01
HOLE TO HOLE	±0.005
FORMED EDGE TO FORMED EDGE	±0.01
FORMED EDGE TO WELDED EDGE < 48.0	±0.03
FORMED EDGE TO WELDED EDGE > 48.0	±0.06
PANEL DISTORTION OVER 48.0in	0.03 MAX

DIMENSIONS IN: IN [MM] (REP)	SCALE
PROPRIETARY This document is the property of Mitsubishi Electric Power Products, Inc. and contains proprietary and confidential information which must not be duplicated, used or disclosed other than as expressly authorized by Mitsubishi Electric Power Products, Inc.	

DRAFTER Z.ZAJAC	DATE 7/5/17
APPROVED N.RIEMER	DATE 7/5/17
CORE [REFERENCE] DRAWING If there is a core drawing insert that here	

MITSUBISHI ELECTRIC
 TITLE
9900 AEGIS 160KVA
 DWG. NO. UD-100653 SHEET 5 OF 6 REV. 0



UPS CONNECTION DIAGRAM

REVISIONS

0. RELEASED ZZAJAC
7/10/17

DIMENSIONS IN: IN (MM) REF	SCALE - NTS -	DRAFTER Z.Zajac	DATE 7/6/17		MITSUBISHI ELECTRIC
PROPRIETARY This document is the property of Mitsubishi Electric Power Products, Inc. and contains proprietary and confidential information which must not be duplicated, used or disclosed other than as expressly authorized by Mitsubishi Electric Power Products, Inc.					CHECKED N.RIEMER
QUALITY CONTROL VALIDATION STAMP				ENGINEER K.BEAMER	DATE 7/6/17
				APPROVED N.RIEMER	DATE 7/6/17
				DWG. NO.	SHEET 6 OF 6
				UD-100653	REV. 0