

MITSUBISHI 9900 AEGIS SERIES 225KVA UPS SALES DRAWING

PROJECT -

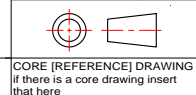
CUSTOMER -

TABLE OF CONTENTS

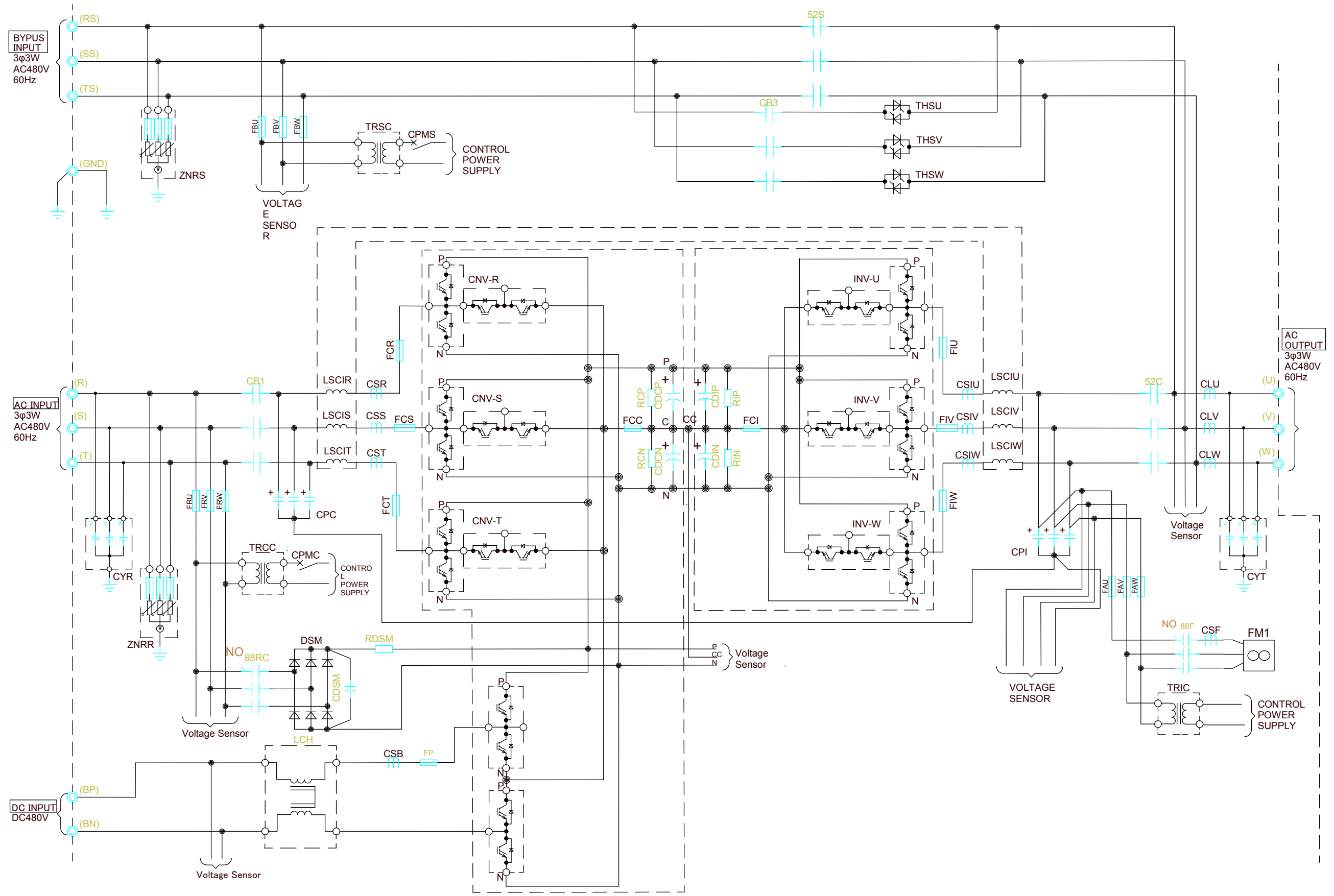
SHEET NO.	TITLE			
1	COVER SHEET			
2	SYSTEM CONFIGURATION			
3	SINGLE LINE DIAGRAM			
4	UPS OUTLINE-1			
5	UPS OUTLINE-2			
6	UPS CONNECTION DIAGRAM			

REVISIONS	0. RELEASED Z.ZAJAC 7/10/2017 1. ANCHORING DIMENSIONS REVISED J.MENDEZ 3/6/2018 2. UPDATED 65KAIC WEIGHT (NOTE 4) J.LIEBERT 3/14/2018 3. UPDATED DIMENSIONS PER ECN 702 Z.ZAJAC 3/16/2018 4. UPDATED DIMENSIONS J.MENDEZ 3/21/2018
------------------	---

<table border="1" style="width: 100%; border-collapse: collapse;"> <tr> <th colspan="2">FABRICATION TOLERANCE</th> </tr> <tr> <th>NOMINAL SIZE</th> <th>TOLERANCE</th> </tr> <tr> <td>ANGLES</td> <td>±0.01°</td> </tr> <tr> <td>HOLE TO MATERIAL EDGE</td> <td>±0.01</td> </tr> <tr> <td>HOLE TO FORMED EDGE</td> <td>±0.01</td> </tr> <tr> <td>HOLE TO HOLE</td> <td>±0.005</td> </tr> <tr> <td>FORMED EDGE TO FORMED EDGE</td> <td>±0.01</td> </tr> <tr> <td>FORMED EDGE TO WELDED EDGE < 48.0</td> <td>±0.03</td> </tr> <tr> <td>FORMED EDGE TO WELDED EDGE > 48.0</td> <td>±0.06</td> </tr> <tr> <td>PANEL DISTORTION OVER 48.0in</td> <td>0.03 MAX</td> </tr> </table>	FABRICATION TOLERANCE		NOMINAL SIZE	TOLERANCE	ANGLES	±0.01°	HOLE TO MATERIAL EDGE	±0.01	HOLE TO FORMED EDGE	±0.01	HOLE TO HOLE	±0.005	FORMED EDGE TO FORMED EDGE	±0.01	FORMED EDGE TO WELDED EDGE < 48.0	±0.03	FORMED EDGE TO WELDED EDGE > 48.0	±0.06	PANEL DISTORTION OVER 48.0in	0.03 MAX	<table border="1" style="width: 100%; border-collapse: collapse;"> <tr> <th colspan="2">DIMENSIONS IN:</th> </tr> <tr> <th>IN [MM]</th> <th>REF</th> </tr> <tr> <td> </td> <td> </td> </tr> </table>	DIMENSIONS IN:		IN [MM]	REF			<table border="1" style="width: 100%; border-collapse: collapse;"> <tr> <th>SCALE</th> </tr> <tr> <td> </td> </tr> </table>	SCALE		<table border="1" style="width: 100%; border-collapse: collapse;"> <tr> <th>DRAFTER</th> <th>DATE</th> </tr> <tr> <td>Z.ZAJAC</td> <td>7/6/17</td> </tr> <tr> <th>APPROVED</th> <th>DATE</th> </tr> <tr> <td>N.RIEMER</td> <td>7/6/17</td> </tr> </table>	DRAFTER	DATE	Z.ZAJAC	7/6/17	APPROVED	DATE	N.RIEMER	7/6/17	<p>MITSUBISHI ELECTRIC</p>	<table border="1" style="width: 100%; border-collapse: collapse;"> <tr> <th>TITLE</th> </tr> <tr> <td>9900 AEGIS 225KVA</td> </tr> <tr> <th>DWG. NO.</th> </tr> <tr> <td>UD-100654</td> </tr> <tr> <th>REV.</th> </tr> <tr> <td>4</td> </tr> </table>	TITLE	9900 AEGIS 225KVA	DWG. NO.	UD-100654	REV.	4
FABRICATION TOLERANCE																																															
NOMINAL SIZE	TOLERANCE																																														
ANGLES	±0.01°																																														
HOLE TO MATERIAL EDGE	±0.01																																														
HOLE TO FORMED EDGE	±0.01																																														
HOLE TO HOLE	±0.005																																														
FORMED EDGE TO FORMED EDGE	±0.01																																														
FORMED EDGE TO WELDED EDGE < 48.0	±0.03																																														
FORMED EDGE TO WELDED EDGE > 48.0	±0.06																																														
PANEL DISTORTION OVER 48.0in	0.03 MAX																																														
DIMENSIONS IN:																																															
IN [MM]	REF																																														
SCALE																																															
DRAFTER	DATE																																														
Z.ZAJAC	7/6/17																																														
APPROVED	DATE																																														
N.RIEMER	7/6/17																																														
TITLE																																															
9900 AEGIS 225KVA																																															
DWG. NO.																																															
UD-100654																																															
REV.																																															
4																																															



CORE [REFERENCE] DRAWING if there is a core drawing insert that here



REVISONS	REVISIONS
0. RELEASED Z.ZAJAC 7/10/2017	1. ANCHORING DIMENSIONS REVISED J.MENDEZ 3/6/2018
1. ANCHORING DIMENSIONS REVISED J.MENDEZ 3/6/2018	2. UPDATED 65KAIC WEIGHT (NOTE 4) J.LIEBERT 3/14/2018
2. UPDATED 65KAIC WEIGHT (NOTE 4) J.LIEBERT 3/14/2018	3. UPDATED DIMENSIONS PER ECN 702 Z.ZAJAC 3/16/2018
3. UPDATED DIMENSIONS PER ECN 702 Z.ZAJAC 3/16/2018	4. UPDATED DIMENSIONS J.MENDEZ 3/21/2018
4. UPDATED DIMENSIONS J.MENDEZ 3/21/2018	

FABRICATION TOLERANCE NOMINAL SIZE TOLERANCE ANGLES ±0.01" HOLE TO MATERIAL EDGE ±0.01 HOLE TO FORMED EDGE ±0.01 HOLE TO HOLE ±0.005 FORMED EDGE TO FORMED EDGE ±0.01 FORMED EDGE TO WELDED EDGE < 48.0 ±0.03 FORMED EDGE TO WELDED EDGE > 48.0 ±0.06 PANEL DISTORTION OVER 48.0in 0.03 MAX		DIMENSIONS IN: IN [MM] REF SCALE PROPRIETARY This document is the property of Mitsubishi Electric Power Products, Inc. and contains proprietary and confidential information which must not be duplicated, used or disclosed other than as expressly authorized by Mitsubishi Electric Power Products, Inc.		DRAFTER Z.ZAJAC APPROVED N.RIEMER	DATE 7/6/17 DATE 7/6/17
CORE [REFERENCE] DRAWING if there is a core drawing insert that here				TITLE 9900 AEGIS 225KVA DWG. NO. UD-100654 REV. 4	

MITSUBISHI ELECTRIC

TITLE
9900 AEGIS 225KVA
DWG. NO. UD-100654
REV. 4

225kVA 203kW UPS

BYPASS INPUT

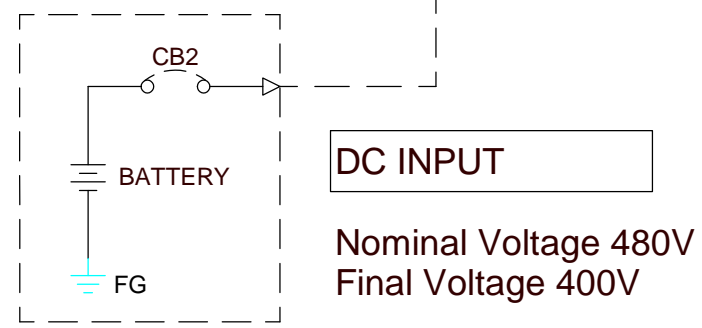
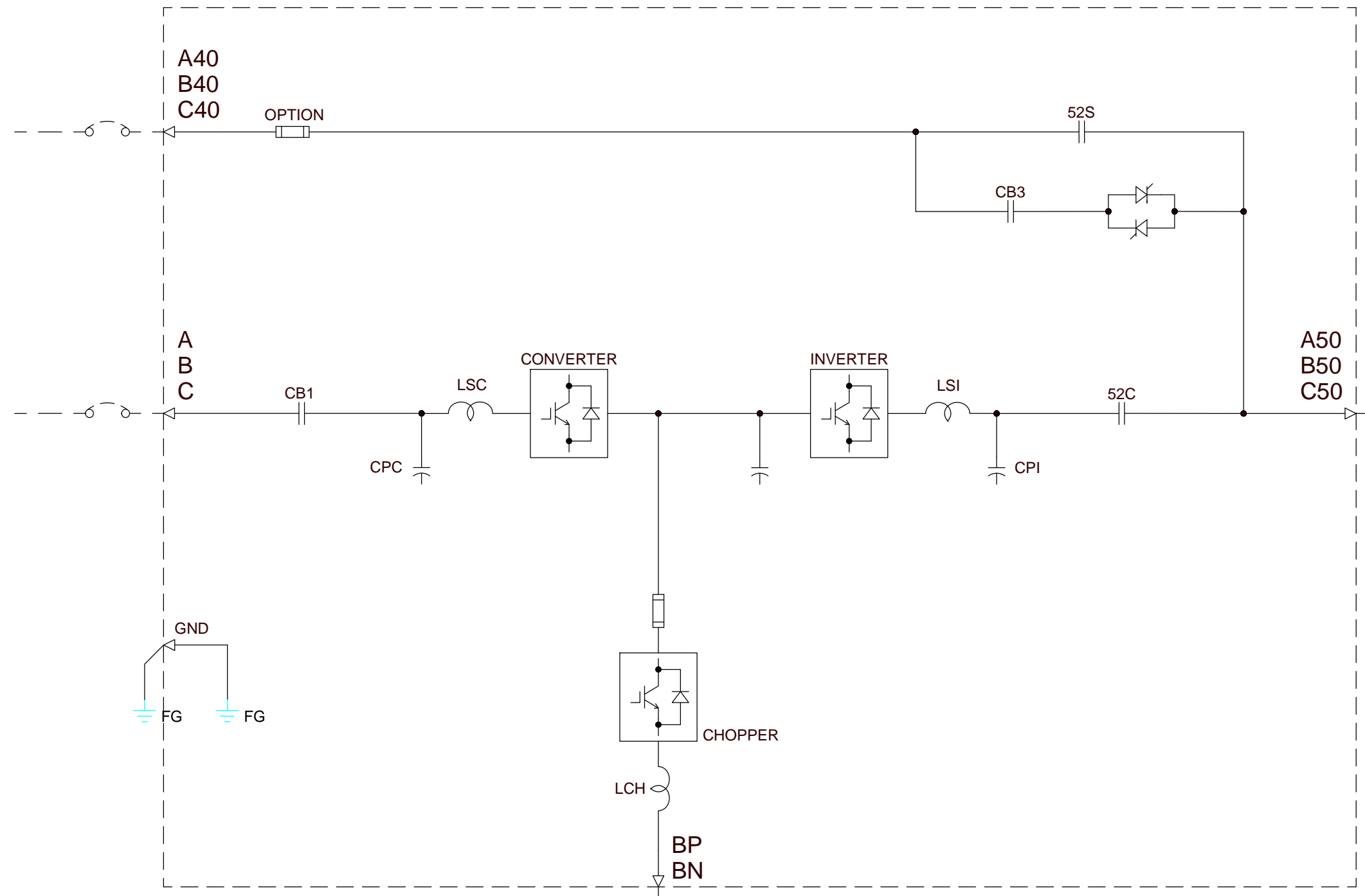
3-PHASE 3-WIRE
AC480V 60Hz

AC INPUT

3-PHASE 3-WIRE
AC480V 60Hz

AC OUTPUT

3-PHASE 3-WIRE
AC480V 60Hz



REVISIONS	DATE	BY	DESCRIPTION
0. RELEASED	7/10/2017	Z.ZAJAC	
1. ANCHORING DIMENSIONS REVISED	3/16/2018	J.MENDEZ	
2. UPDATED 65KAIC WEIGHT (NOTE 4)	3/14/2018	J.LIEBERT	
3. UPDATED DIMENSIONS PER ECN 702	3/16/2018	Z.ZAJAC	
4. UPDATED DIMENSIONS	3/21/2018	J.MENDEZ	

FABRICATION TOLERANCE	TOLERANCE
NOMINAL SIZE	±0.01"
ANGLES	±0.01°
HOLE TO MATERIAL EDGE	±0.01
HOLE TO FORMED EDGE	±0.01
HOLE TO HOLE	±0.005
FORMED EDGE TO FORMED EDGE	±0.01
FORMED EDGE TO WELDED EDGE < 48.0	±0.03
FORMED EDGE TO WELDED EDGE > 48.0	±0.06
PANEL DISTORTION OVER 48.0in	0.03 MAX

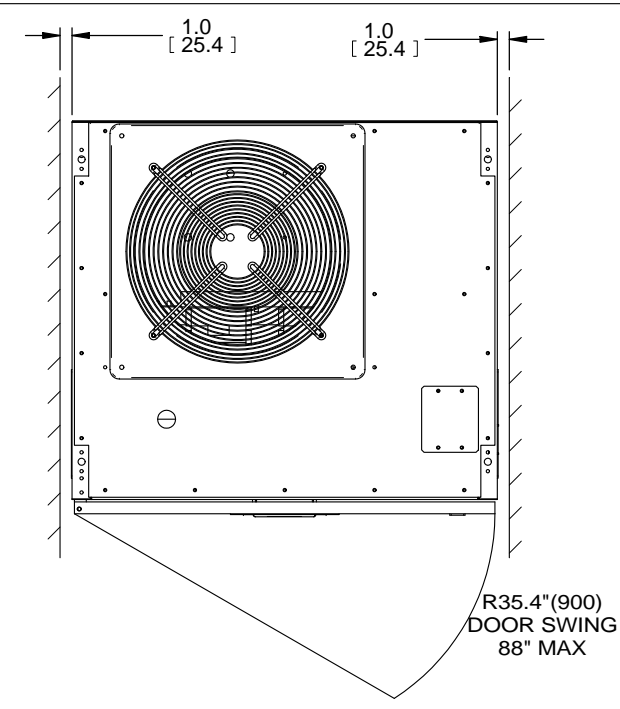
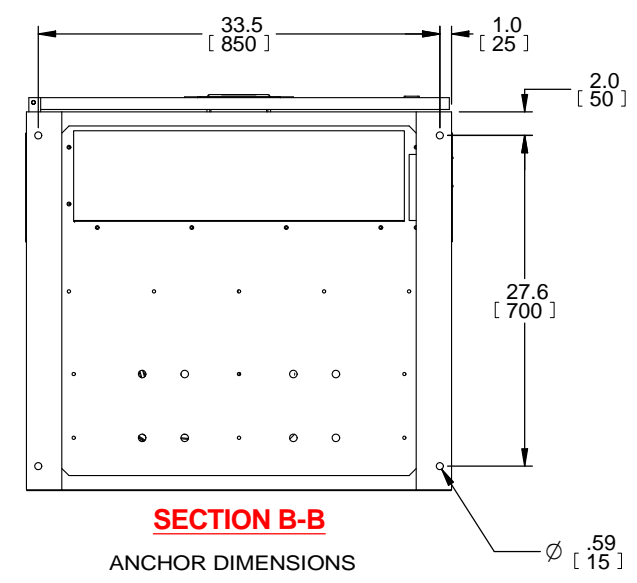
DIMENSIONS IN:	SCALE
IN [MM] REF	

DRAFTER	DATE
Z.ZAJAC	7/6/17
APPROVED	DATE
N.RIEMER	7/6/17

MITSUBISHI ELECTRIC

TITLE: **9900 AEGIS 225KVA**

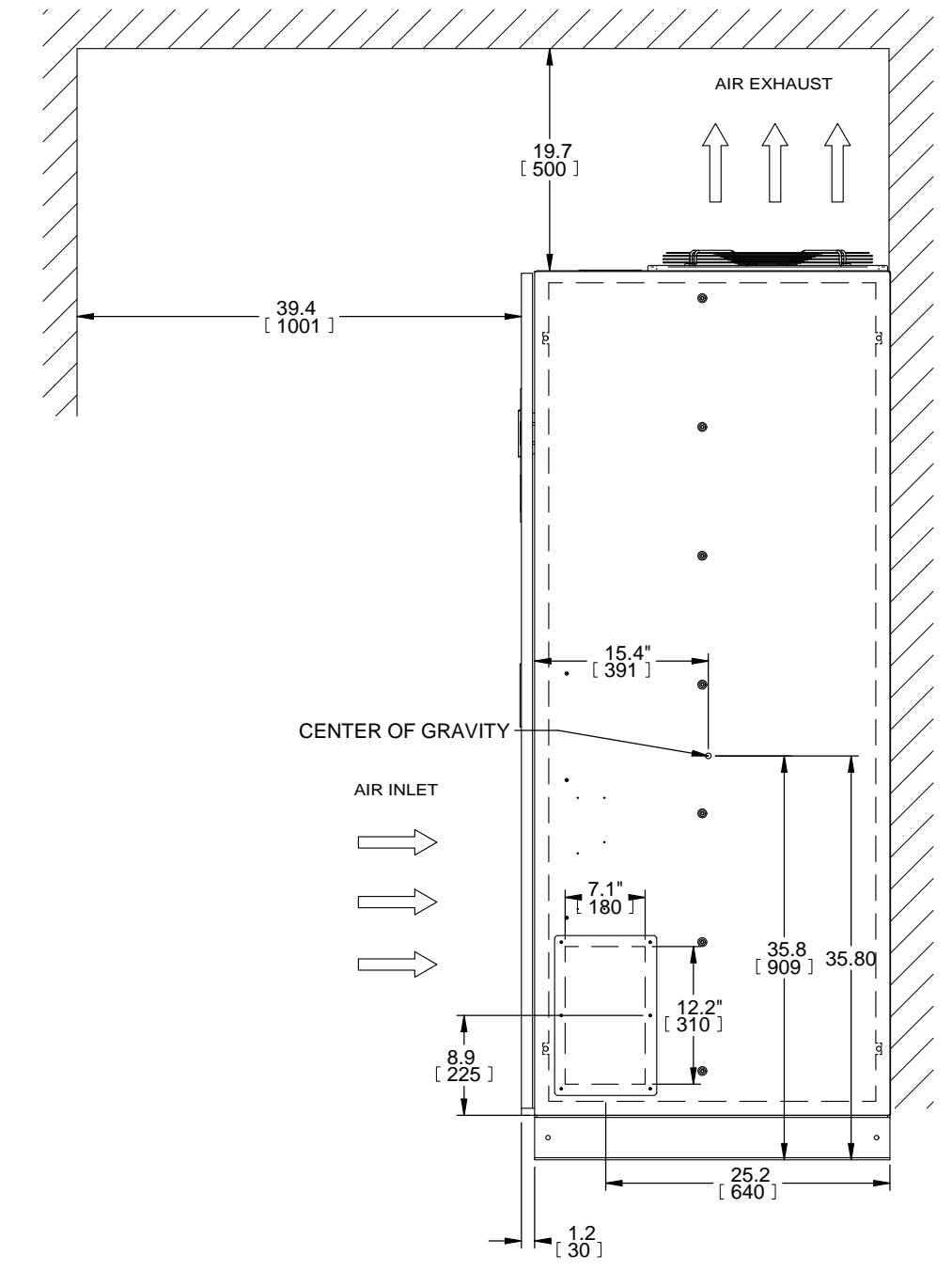
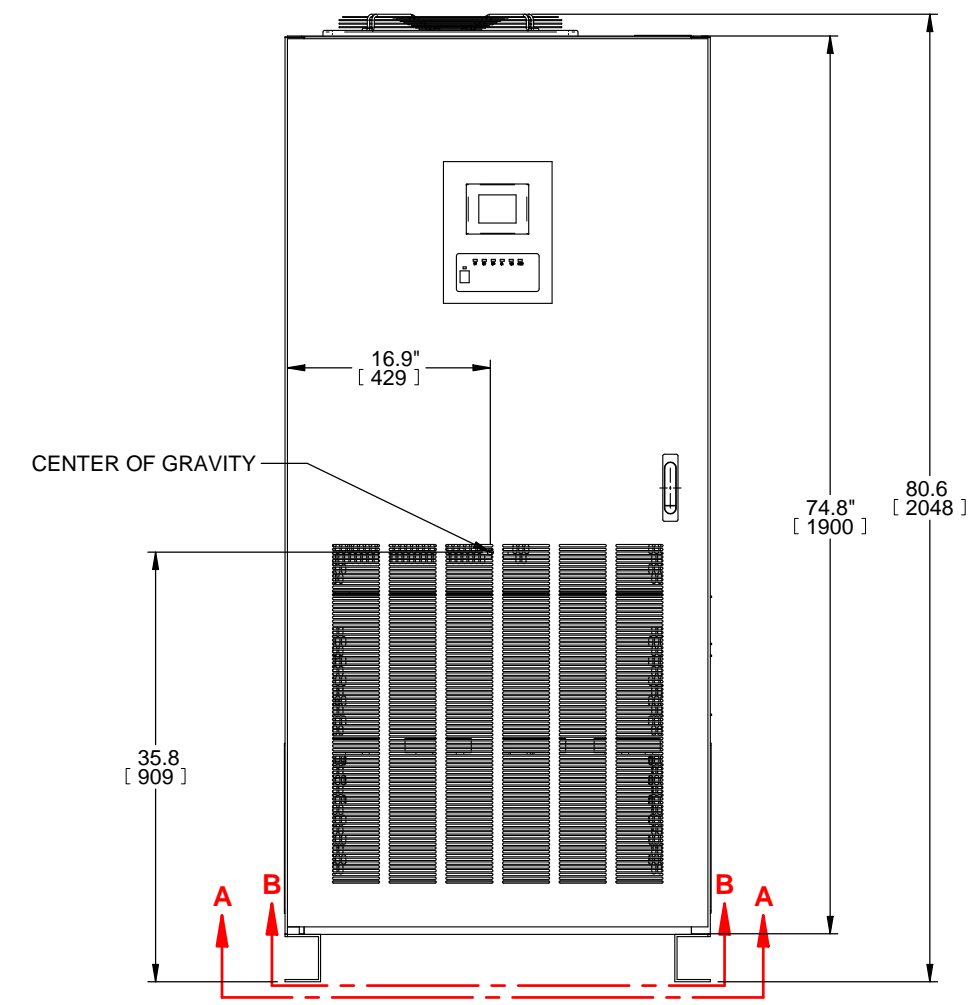
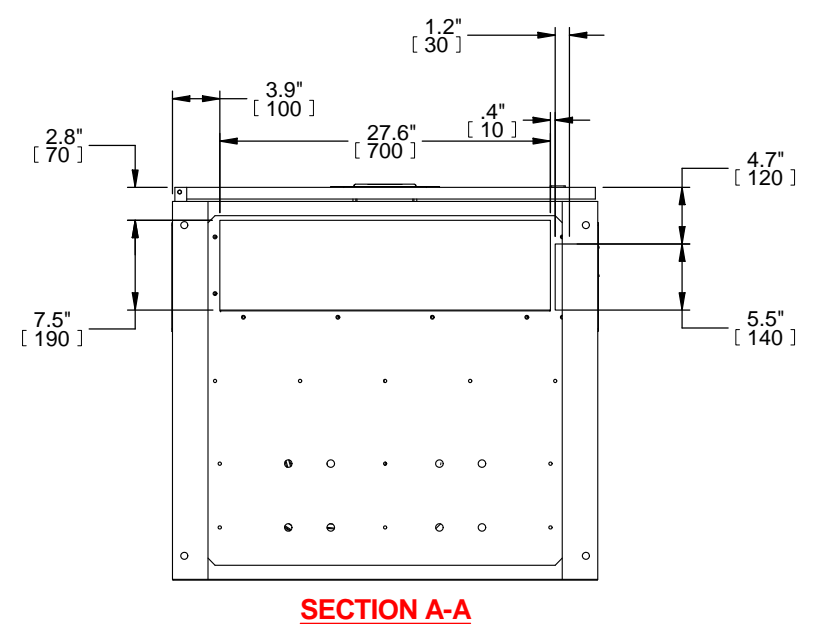
DWG. NO. **UD-100654** REV. **4**



NOTES

1. DIMENSIONS ARE SHOWN IN INCHES (MILLIMETERS)
2. SIDE SPACE ' 1"(25) ' IS NOT REQUIRED WHEN SIDECARS ARE USED.
3. CABINET SHOULD BE MAINTAINED UPRIGHT WITHIN ±15° DURING HANDLING.
4. APPROXIMATE WEIGHTS:

225KVA BASE UNIT : 1080 LBS (480KG)
225KVA 65KAIC UNIT : 1094 LBS (496KG)

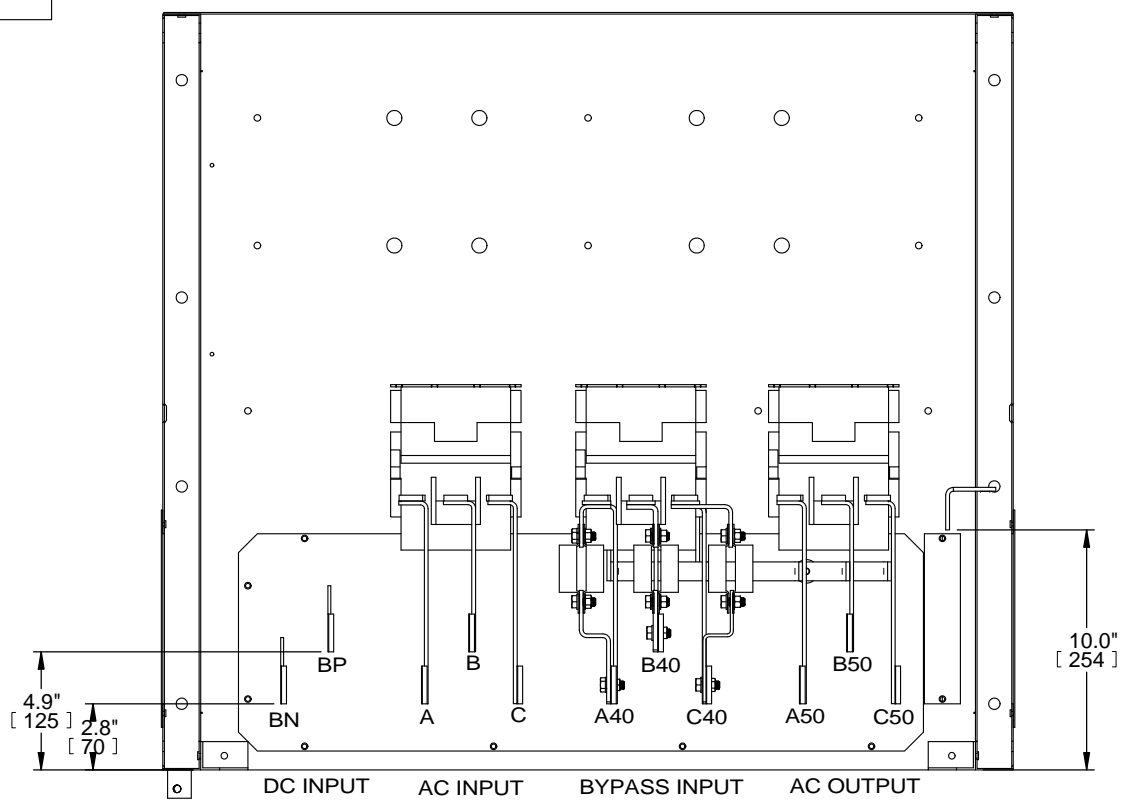


REVISIONS	DATE	BY	DESCRIPTION
0. RELEASED	7/10/2017	Z.ZAJAC	
1. ANCHORING DIMENSIONS REVISED	3/6/2018	J.MENDEZ	
2. UPDATED 65KAIC WEIGHT (NOTE 4)	3/7/2018	J.LIEBERT	
3. UPDATED DIMENSIONS PER ECN 702	3/16/2018	Z.ZAJAC	
4. UPDATED DIMENSIONS	3/21/2018	J.MENDEZ	

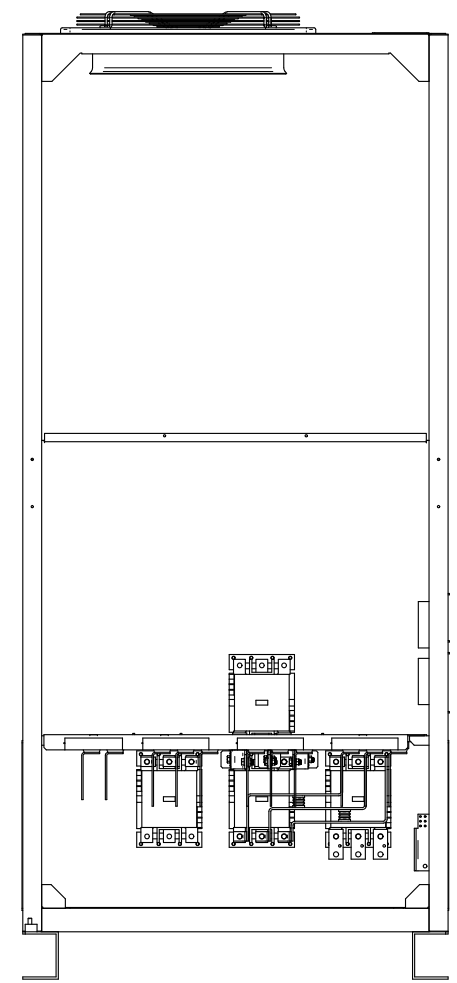
FABRICATION TOLERANCE	DIMENSIONS IN:	SCALE	DRAFTER	DATE
NOMINAL SIZE	IN [MM] REF	-NTS-	Z.ZAJAC	7/6/17
ANGLES	±0.01°			
HOLE TO MATERIAL EDGE	±0.01			
HOLE TO FORMED EDGE	±0.01			
HOLE TO HOLE	±0.005			
FORMED EDGE TO FORMED EDGE	±0.01			
FORMED EDGE TO WELDED EDGE < 48.0	±0.03			
FORMED EDGE TO WELDED EDGE > 48.0	±0.06			
PANEL DISTORTION OVER 48.0in	0.03 MAX			

TITLE	DWG. NO.	SHEET 4 OF 6	REV.
9900 AEGIS 225KVA	UD-100654	4	



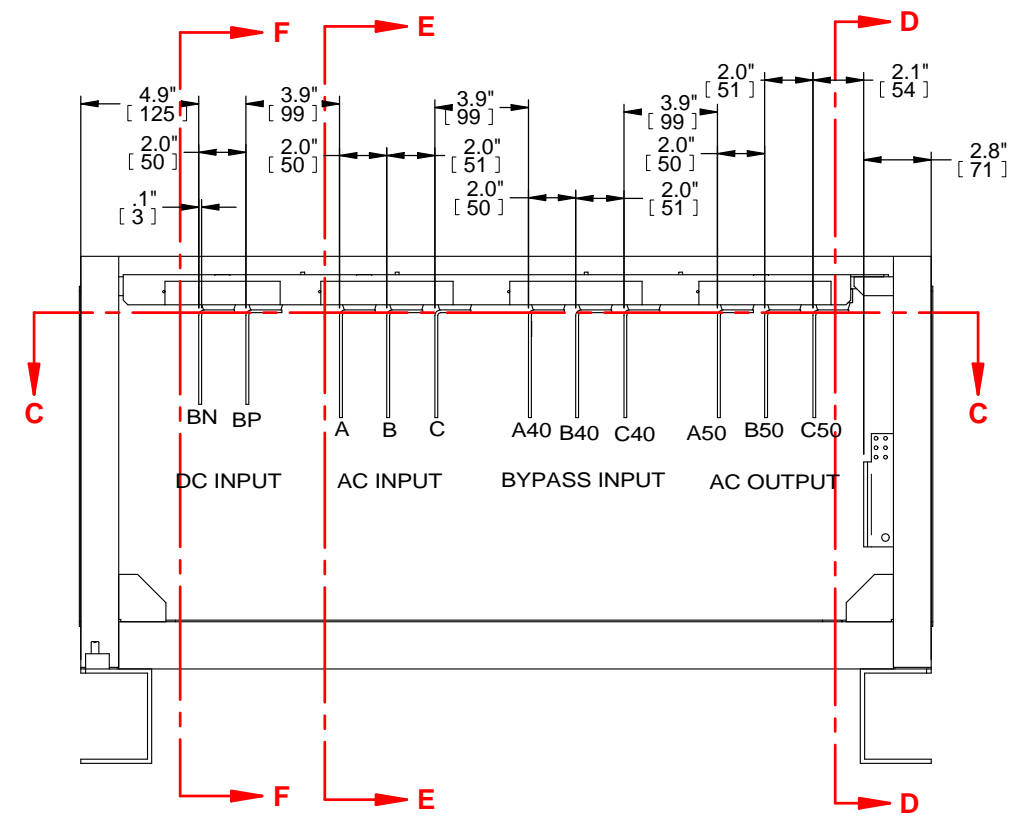


SECTION C-C

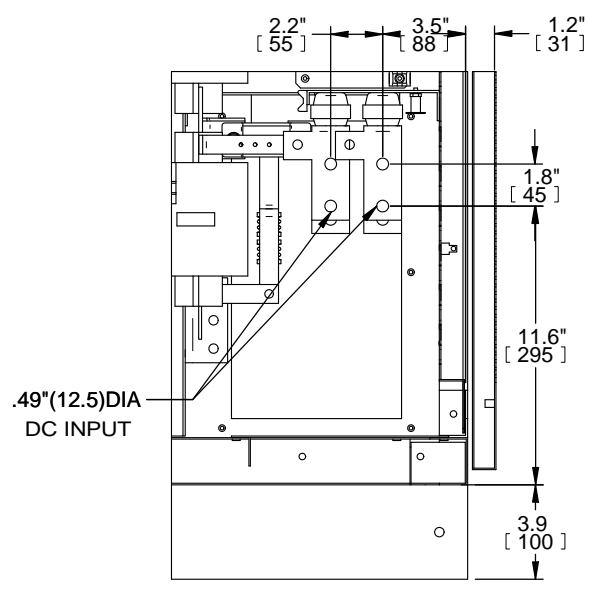


NOTES

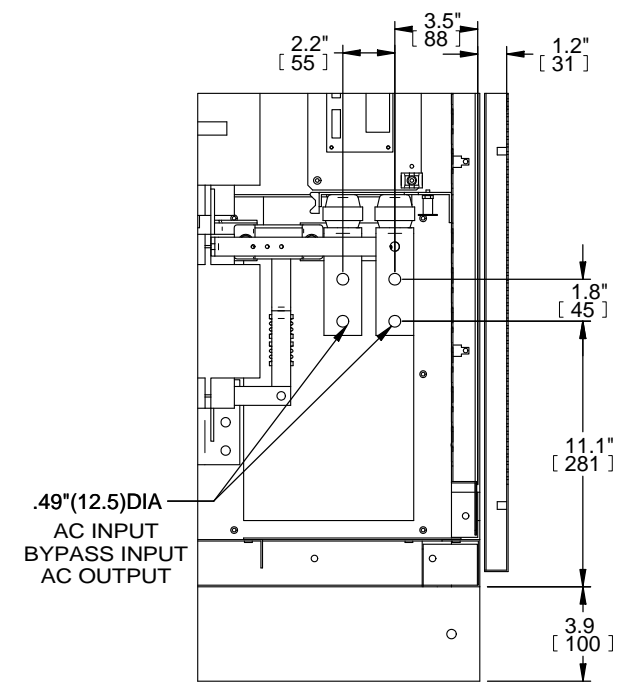
- 5. EXTERNAL WIRING MATERIALS FOR AC INPUT, DC INPUT, BYPASS INPUT, AND AC OUTPUT SHOULD BE SUPPLIED BY CUSTOMER (OUT OF SCOPE OF SUPPLY FROM MITSUBISHI).
- 6. A, B, C CLOCKWISE ROTATION



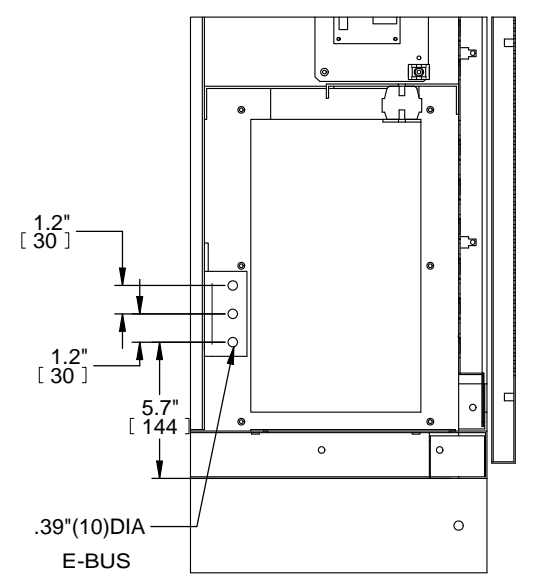
SECTION D-D



SECTION F-F



SECTION E-E

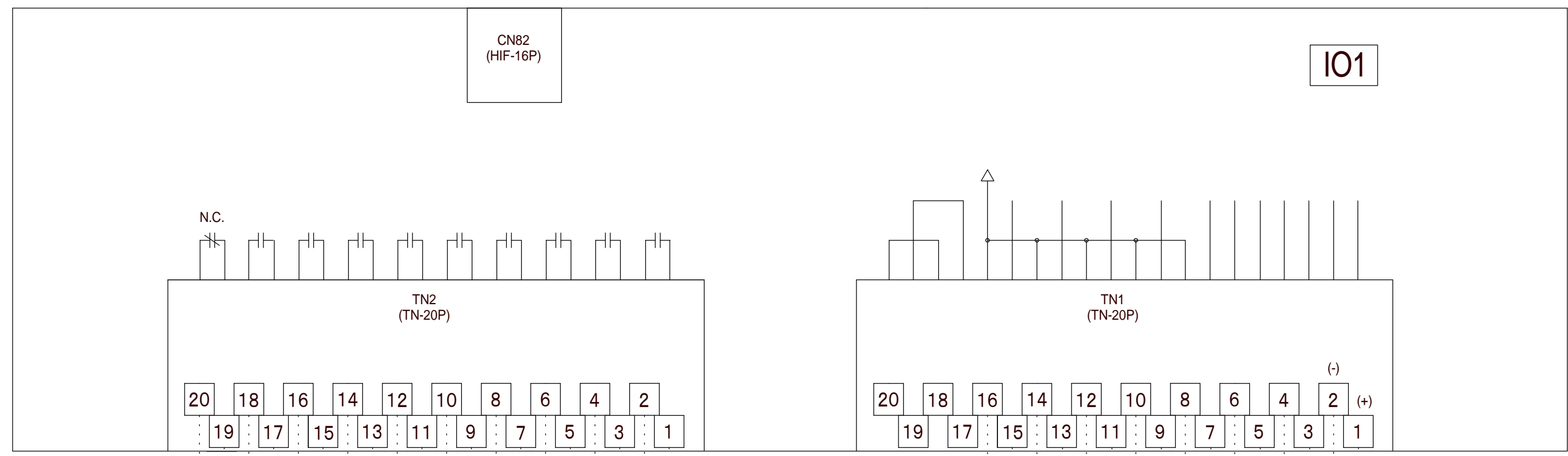


REVISIONS	DATE	BY	DESCRIPTION
0. RELEASED	7/10/2017	Z.ZAJAC	
1. ANCHORING DIMENSIONS REVISED	3/6/2018	J.MENDEZ	
2. UPDATED 65KA/IC WEIGHT (NOTE 4)	3/7/2018	J.LIEBERT	
3. UPDATED DIMENSIONS PER ECN 702	3/16/2018	Z.ZAJAC	
4. UPDATED DIMENSIONS	3/21/2018	J.MENDEZ	

FABRICATION TOLERANCE		DIMENSIONS IN:		SCALE
NOMINAL SIZE	TOLERANCE	IN	MM	REF
ANGLES	±0.01°			
HOLE TO MATERIAL EDGE	±0.01			
HOLE TO FORMED EDGE	±0.01			
HOLE TO HOLE	±0.005			
FORMED EDGE TO FORMED EDGE	±0.01			
FORMED EDGE TO WELDED EDGE < 48.0	±0.03			
FORMED EDGE TO WELDED EDGE > 48.0	±0.06			
PANEL DISTORTION OVER 48.0in	0.03 MAX			

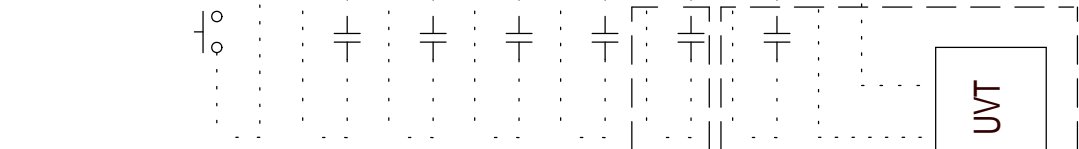
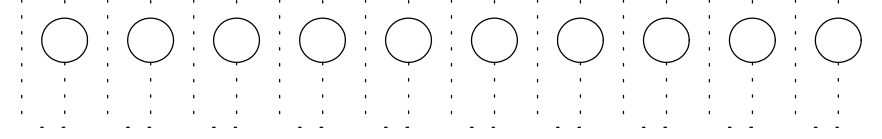
DRAFTER Z.ZAJAC	DATE 7/6/17	<p>MITSUBISHI ELECTRIC</p>
APPROVED N.RIEMER	DATE 7/6/17	
<p>TITLE</p> <p>9900 AEGIS 225KVA</p>		<p>DWG. NO. UD-100654</p> <p>SHEET 5 OF 6</p> <p>REV. 4</p>

(OPTION)
TO IO2:
EXTERNAL I/F BOARD



20 18 16 14 12 10 8 6 4 2
19 17 15 13 11 9 7 5 3 1

20 18 16 14 12 10 8 6 4 2 (-)
19 17 15 13 11 9 7 5 3 1 (+)



52C CLOSE
OUT8:TOTAL ALARM
OUT7:SPARE
OUT6:OVERLOAD
OUT5:BATTERY LOW VOLTAGE
OUT4:CONVERTER OPERATION
OUT3:BATTERY OPERATION
OUT2:LOAD ON INVERTER
OUT1:LOAD ON BYPASS
SUMMARY ALARM

REMOTE EPO
IN4:POWER DEMAND
IN3:BATTERY TEMP.HIGH
IN2:REMOTE INVERTER STOP
IN1:REMOTE INVERTER START
LOAD CIRCUIT SWITCH
52L AX
CB2 AX
CB2 UVT
BATTERY BREAKER PANEL

REVISIONS	DATE	BY	DESCRIPTION
0. RELEASED	7/10/2017	Z.ZAJAC	
1. ANCHORING DIMENSIONS REVISED	3/6/2018	J.MENDEZ	
2. UPDATED 65KAIC WEIGHT (NOTE 4)	3/14/2018	J.LIEBERT	
3. UPDATED DIMENSIONS PER ECN 702	3/16/2018	Z.ZAJAC	
4. UPDATED DIMENSIONS	3/21/2018	J.MENDEZ	

FABRICATION TOLERANCE	TOLERANCE
NOMINAL SIZE	±0.01"
ANGLES	±0.01°
HOLE TO MATERIAL EDGE	±0.01
HOLE TO FORMED EDGE	±0.01
HOLE TO HOLE	±0.005
FORMED EDGE TO FORMED EDGE	±0.01
FORMED EDGE TO WELDED EDGE < 48.0	±0.03
FORMED EDGE TO WELDED EDGE > 48.0	±0.06
PANEL DISTORTION OVER 48.0in	0.03 MAX

DIMENSIONS IN:	SCALE
IN [MM] REF	

DRAFTER	DATE
Z.ZAJAC	7/6/17
APPROVED	DATE
N.RIEMER	7/6/17

MITSUBISHI ELECTRIC

TITLE: 9900 AEGIS 225KVA

DWG. NO. UD-100654

REV. 4