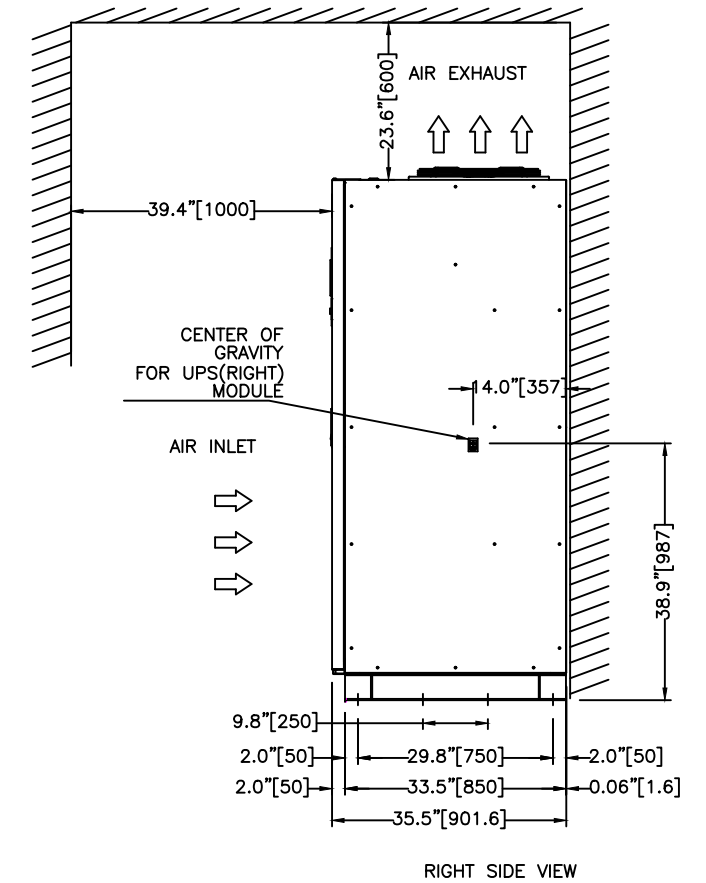
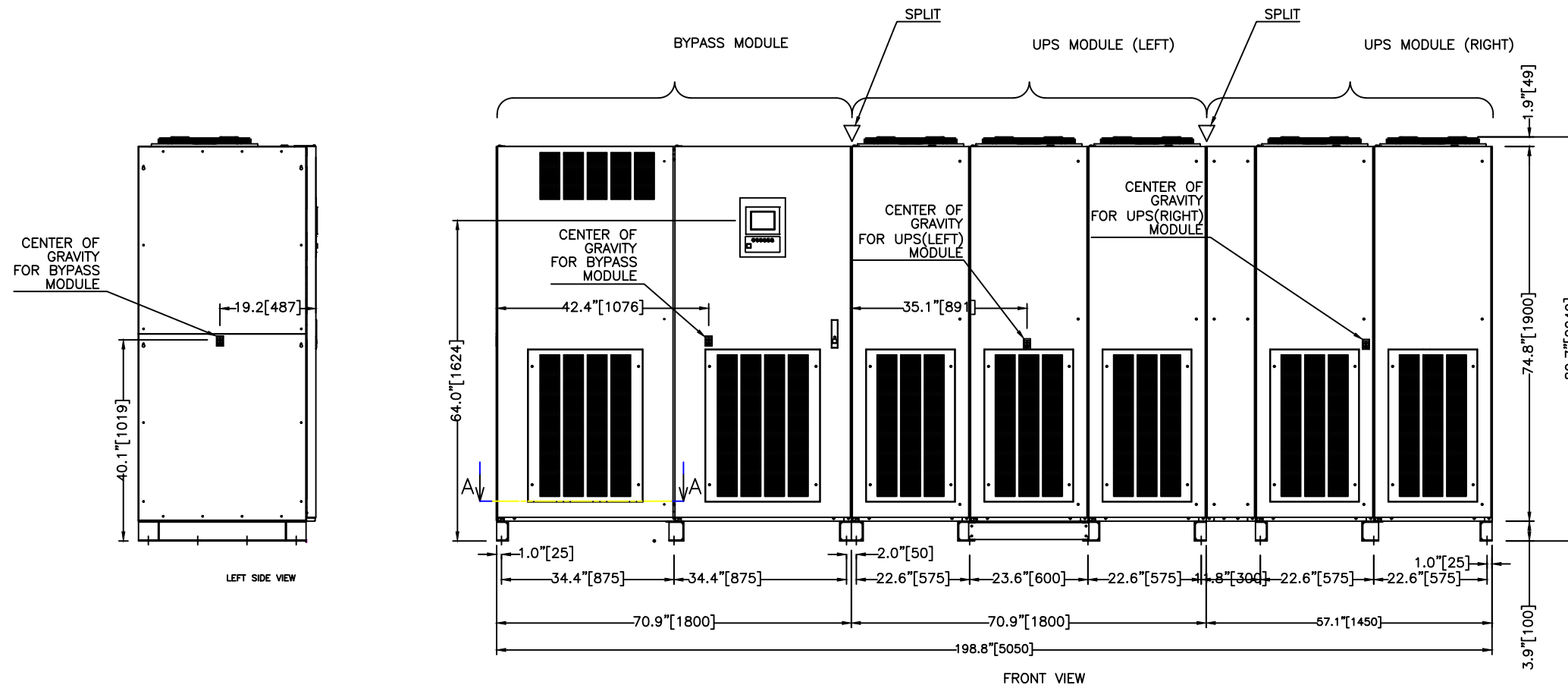
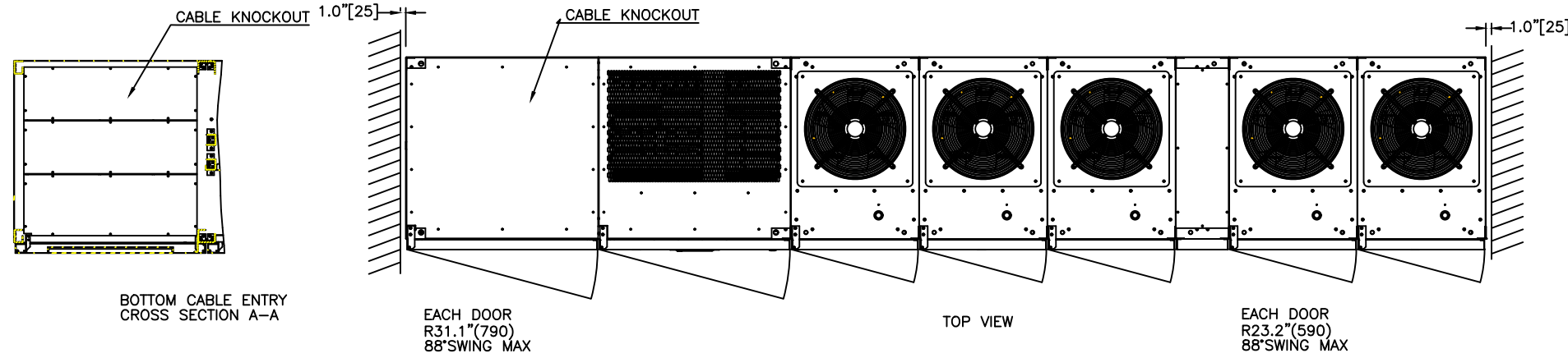


TYPE: 9900CX
 RATING: 1750kVA-3P3W-480V-60Hz
 HEAT REJECTION:187.5kBTUs/hour (TYPICAL)

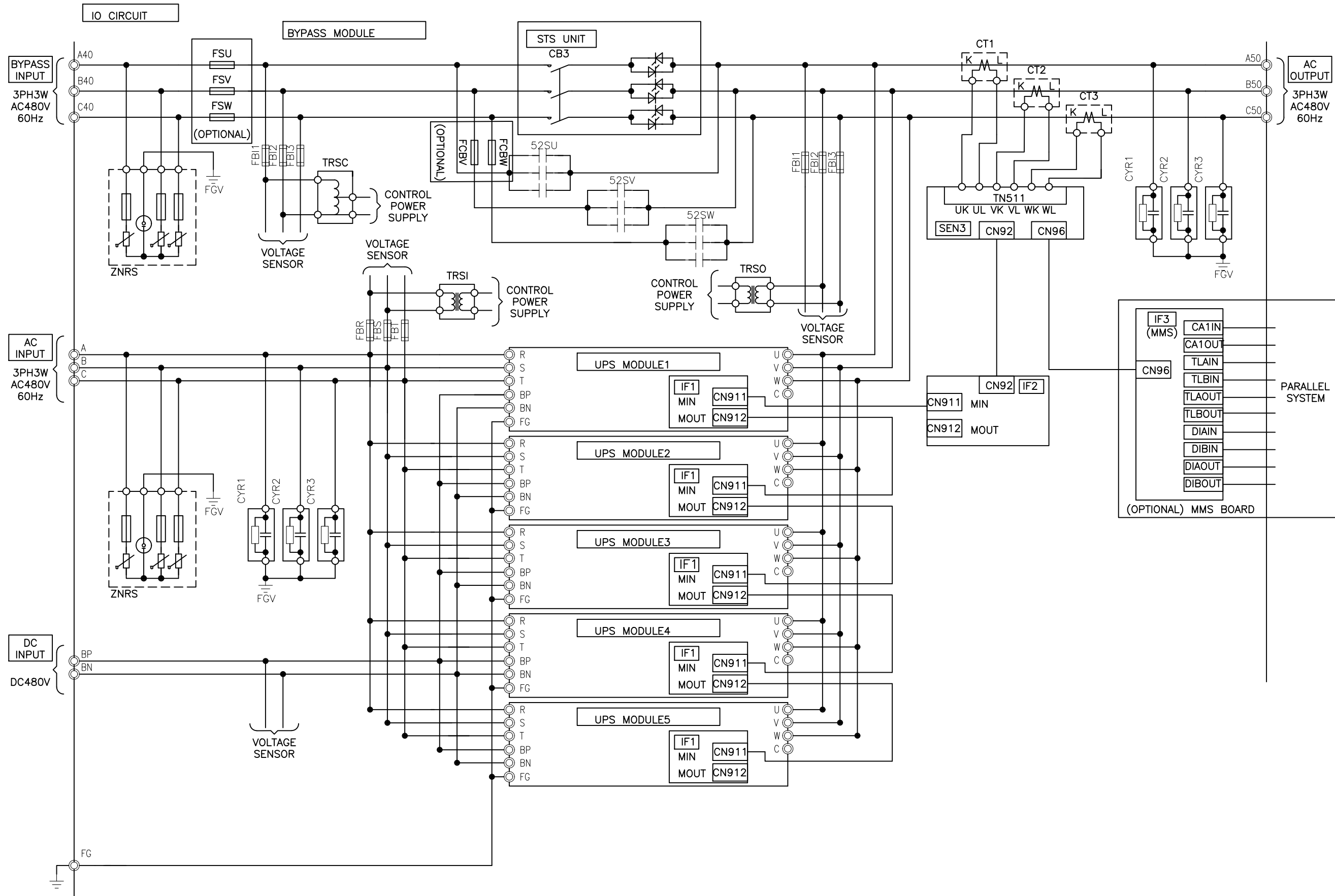
NOTES

1. DIMENSIONS ARE SHOWN IN INCHES[MILLIMETERS].
2. SIDE SPACE '1" [25]' IS NOT REQUIRED WHEN SIDECARS ARE USED.
3. CABINET SHOULD BE MAINTAINED UPRIGHT WITHIN ±15° DURING HANDLING.
4. EACH BASE CHANNEL HAS 2 or 4 x 0.8" [20] DIAMETER HOLES TO FIX UPS ON THE GROUND.
5. LIFTING EYES OPTIONAL.
6. APPROXIMATE WEIGHT.
 UPS MODULE (LEFT) 5,280LBS (2,400kg)
 UPS MODULE (RIGHT) 3,630LBS (1,650kg)
 BYPASS MODULE 2,200LBS (1,100kg)
7. FLOOR SHALL BE FLAT AND LEVEL TO 0.3" SURROUNDING UPS MOUNTING



0 INITIAL RELEASE GDJ 11/16/16	1. RELEASED FOR CONSTRUCTION AJK 6/22/2017	2. NOTE 7 ADDED. ZMZ 9/19/2017	3. UPDATED BYPASS MODULE DIMENSIONS ZMZ 9/25/2017	4. UPDATED BYPASS DRAWING ZMZ 2/2/2018	5. DRAWING REVISED JM 3/26/2018
-----------------------------------	--	--------------------------------------	--	--	---------------------------------------

DWG. No. UD-100573	SCALE: NTS	DRAFTER: G JOHNSTON	DATE: 11/02/18	<p>MITSUBISHI ELECTRIC POWER PRODUCTS, INC. WARRENDALE, PA.</p>
REF. DWG. No.	PROPRIETARY THIS DOCUMENT IS PROPERTY OF MITSUBISHI ELECTRIC POWER PRODUCTS INC. AND CONTAINS PROPRIETARY AND CONFIDENTIAL INFORMATION WHICH MUST NOT BE DUPLICATED, USED OR DISCLOSED OTHER THAN AS EXPRESSLY AUTHORIZED BY MITSUBISHI ELECTRIC POWER PRODUCTS, INC.	CHECKED: M BALMER	DATE: 11/02/18	
		ENGINEER: K.BEAMER/A.SCHOTT	DATE: 11/02/18	
		APPROVED: K.BEAMER/A.SCHOTT	DATE: 11/02/18	
FILE LOCATION: \\warpplnappad01\eng\p\p\doc\AutoCAD 2D				TITLE: OUTLINE 1 9900CX 1750KVA SHEET 1 OF 4 REV: 5



- 0 INITIAL RELEASE
GDJ 11/16/16
- 1. RELEASED FOR
CONSTRUCTION
AJK 6/22/2017
- 2. NOTE 7
ADDED.
ZMZ 9/19/2017
- 3. UPDATED
BYPASS MODULE
DIMENSIONS
ZMZ 9/25/2017
- 4. UPDATED
BYPASS DRAWING
ZMZ 2/2/2018
- 5. DRAWING
REVISED
JM 3/26/2018

DIM. IN: INCHES	SCALE: NTS	DRAFTER: G JOHNSTON	DATE: 11/02/18	<p>MITSUBISHI ELECTRIC POWER PRODUCTS, INC. WARRENDALE, PA.</p> <p>TITLE: SYSTEM CONFIGURATION 9900CX 1750KVA</p> <p>REF. DWG. No. _____</p> <p>FILE LOCATION: \\sapp\apps\pdp01\eng\wlp\doc\AutoCAD 2D</p>
<p>PROPRIETARY THIS DOCUMENT IS PROPERTY OF MITSUBISHI ELECTRIC POWER PRODUCTS INC. AND CONTAINS PROPRIETARY AND CONFIDENTIAL INFORMATION WHICH MUST NOT BE DUPLICATED, USED OR DISCLOSED OTHER THAN AS EXPRESSLY AUTHORIZED BY MITSUBISHI ELECTRIC POWER PRODUCTS, INC.</p>		CHECKED: M BALMER	DATE: 11/02/18	
		ENGINEER: K.BEAMER/A.SCHOTT	DATE: 11/02/18	
		APPROVED: K.BEAMER/A.SCHOTT	DATE: 11/02/18	
		<p>SHEET 2 OF 4</p>		
UD-100573			5	

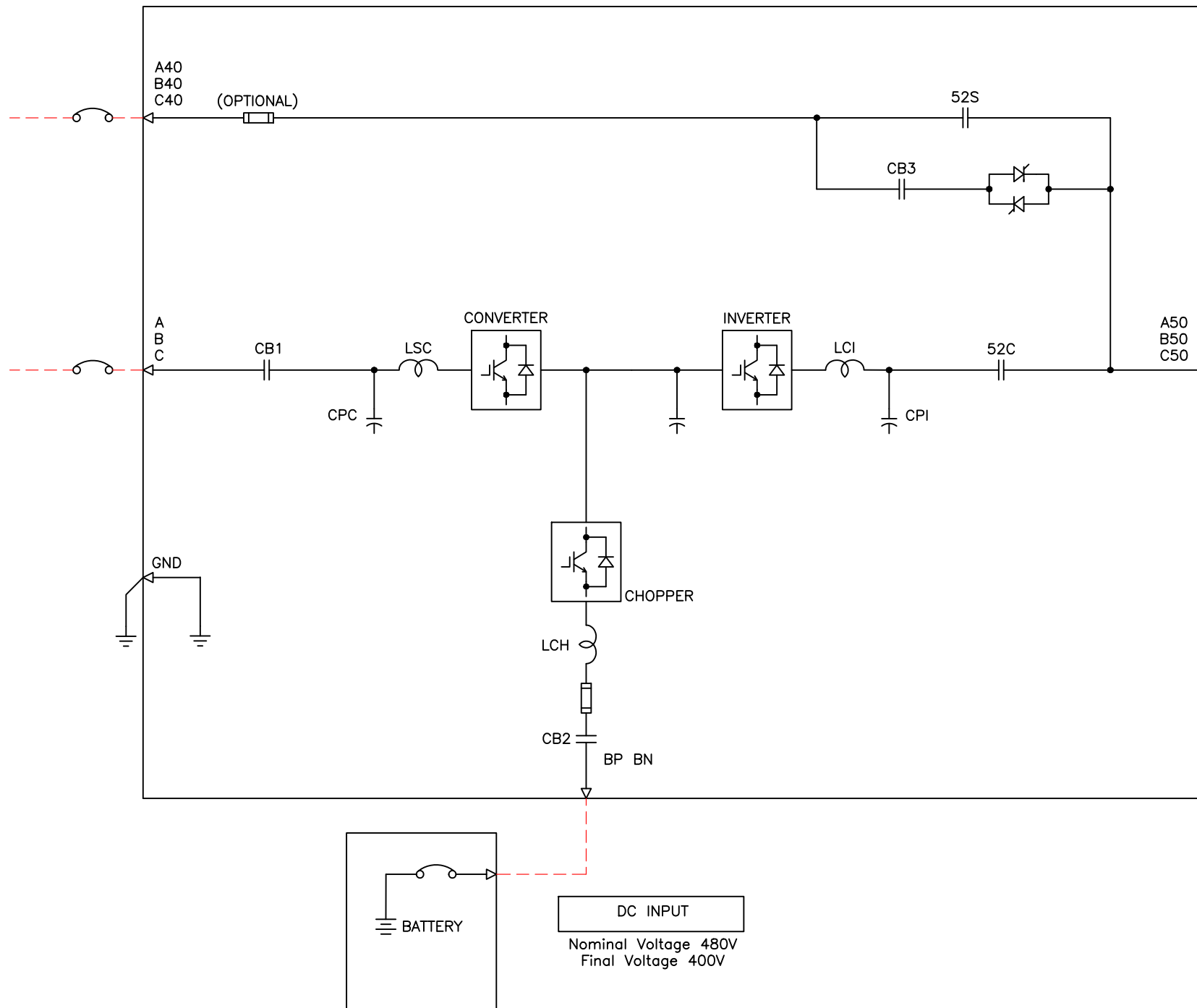
1750kVA 1660kW UPS MODULE

BYPASS INPUT
3-PHASE 3-WIRE
AC480V 60Hz

AC INPUT
3-PHASE 3-WIRE
AC480V 60Hz

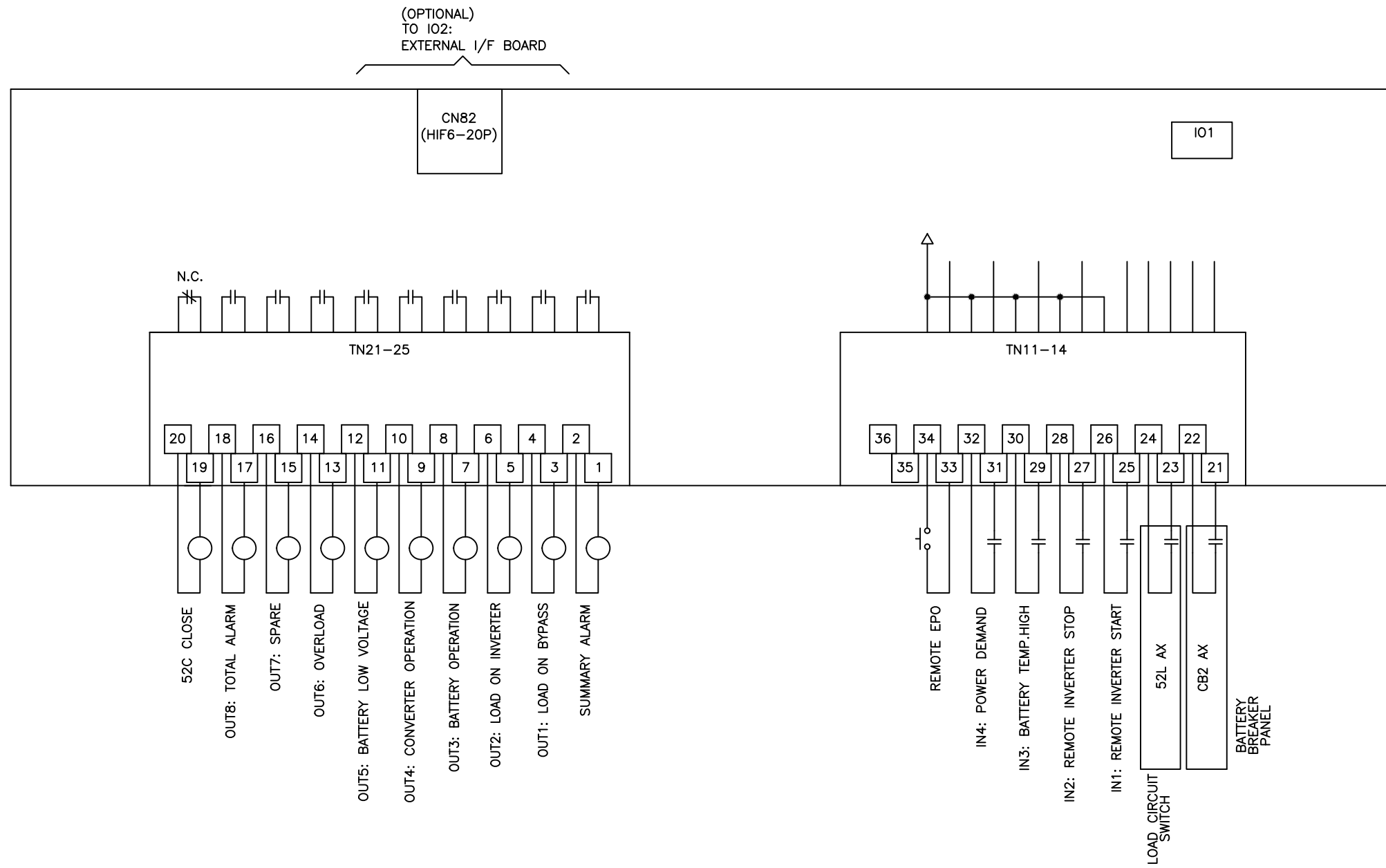
AC OUTPUT
3-PHASE 3-WIRE
AC480V 60Hz

DC INPUT
Nominal Voltage 480V
Final Voltage 400V



0. INITIAL RELEASE GDJ 11/16/16	1. RELEASED FOR CONSTRUCTION AJK 6/22/2017	2. NOTE 7 ADDED. ZMZ 9/19/2017	3. UPDATED BYPASS MODULE DIMENSIONS ZMZ 9/25/2017	4. UPDATED BYPASS DRAWING ZMZ 2/2/2018	5. DRAWING REVISED JM 3/26/2018
------------------------------------	--	--------------------------------------	--	--	---------------------------------------

DIM. IN: INCHES	SCALE: NTS	DRAFTER: G JOHNSTON	DATE: 11/02/18	<p>MITSUBISHI ELECTRIC POWER PRODUCTS, INC. WARRENDALE, PA.</p> <p>TITLE: SINGLE LINE DIAGRAM 9900CX 1750KVA</p> <p>REF. DWG. No.</p> <p>FILE LOCATION: \\corpphppead01\eng\p\p\doc\AutoCAD 2D</p>	
<small>PROPRIETARY THIS DOCUMENT IS PROPERTY OF MITSUBISHI ELECTRIC POWER PRODUCTS INC. AND CONTAINS PROPRIETARY AND CONFIDENTIAL INFORMATION WHICH MUST NOT BE DUPLICATED, USED OR DISCLOSED OTHER THAN AS EXPRESSLY AUTHORIZED BY MITSUBISHI ELECTRIC POWER PRODUCTS, INC.</small>		CHECKED: M BALMER	DATE: 11/02/18		
		ENGINEER: K.BEAMER/A.SCHOTT	DATE: 11/02/18		
		APPROVED: K.BEAMER/A.SCHOTT	DATE: 11/02/18		
			DWG No.	SHEET 3 OF 4	REV: 5
			UD-100573		



0 INITIAL RELEASE
GDJ 11/16/16

1. RELEASED FOR
CONSTRUCTION
AJK 6/22/2017

2. NOTE 7
ADDED.
ZMZ 9/19/2017

3. UPDATED
BYPASS MODULE
DIMENSIONS
ZMZ 9/25/2017

4. UPDATED
BYPASS DRAWING
ZMZ 2/2/2018

5. DRAWING
REVISED
JM 3/26/2018

DWG. No. UD-100573	PROJECT No.	DIM. IN: INCHES	SCALE: NTS	DRAFTER: G JOHNSTON	DATE: 11/02/18	<p>MITSUBISHI ELECTRIC POWER PRODUCTS, INC. WARRENDALE, PA.</p>
<p>PROPRIETARY THIS DOCUMENT IS PROPERTY OF MITSUBISHI ELECTRIC POWER PRODUCTS INC. AND CONTAINS PROPRIETARY AND CONFIDENTIAL INFORMATION WHICH MUST NOT BE DUPLICATED, USED OR DISCLOSED OTHER THAN AS EXPRESSLY AUTHORIZED BY MITSUBISHI ELECTRIC POWER PRODUCTS, INC.</p>			CHECKED: M BALMER	DATE: 11/02/18	TITLE: SINGLE LINE DIAGRAM 9900CX 1750KVA	
REF. DWG. No.			ENGINEER: K.BEAMER/A.SCHOTT	DATE: 11/02/18	DWG No. SHEET 4 OF 4	
			APPROVED: K.BEAMER/A.SCHOTT	DATE: 11/02/18	REV: 5	
FILE LOCATION: \\warpplnappad01\eng\help\doc\AutoCAD 2D						