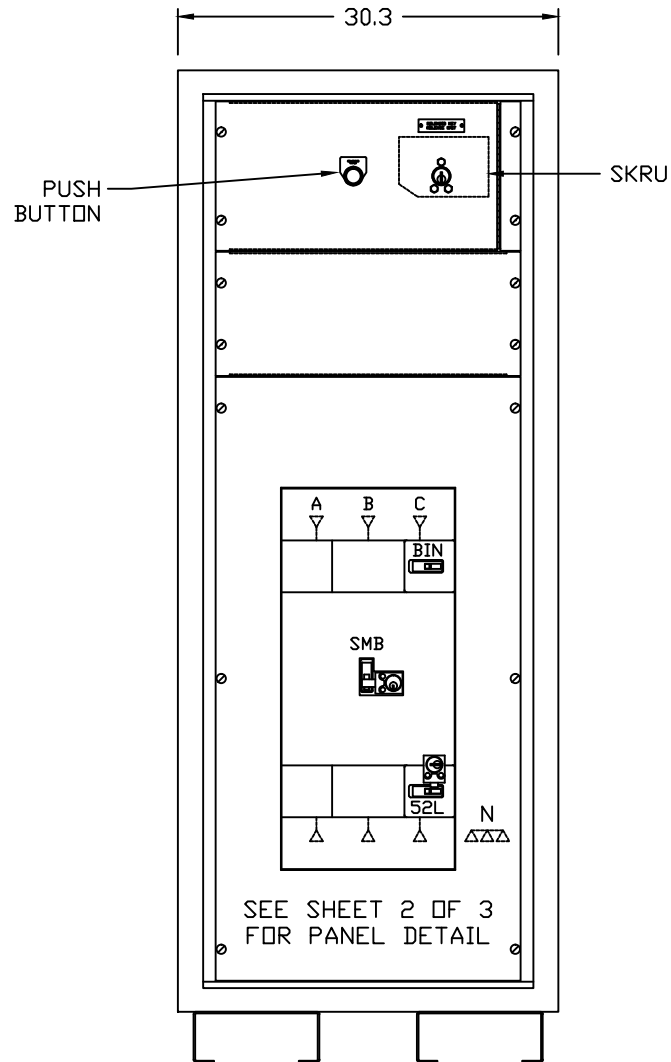
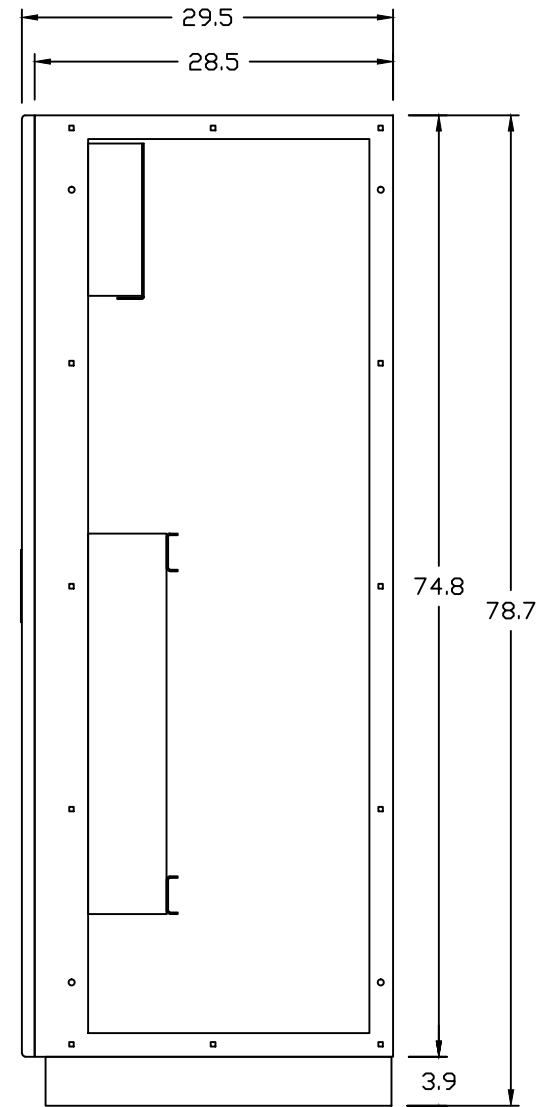


FRONT VIEW  
DOOR SHOWN



FRONT VIEW  
DOOR REMOVED



RIGHT SIDE VIEW  
SIDE COVER REMOVED

This Document Contains Proprietary and Confidential Information.  
Duplication, reproduction or use of this document or its contents in any form other than as expressly permitted by Kinney Electrical Mfg. Co., is prohibited.

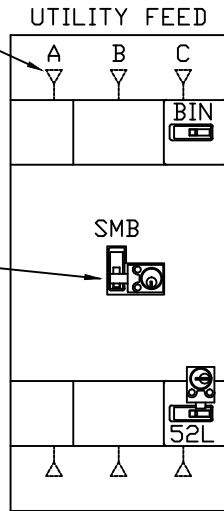
**MITSUBISHI ELECTRIC POWER PRODUCTS, INC.**  
**WARRENDALE, PA**

REVISIONS

1	ADDED 3RD NEUTRAL LUG, TITLE CHANGE 10-12-07
2	REVISED TITLE / ADDED SHEET 4 (RSH) 02-24-09
3	REV BRK CALLOUTS & TITLE BLOCK (RSH) 12-02-10

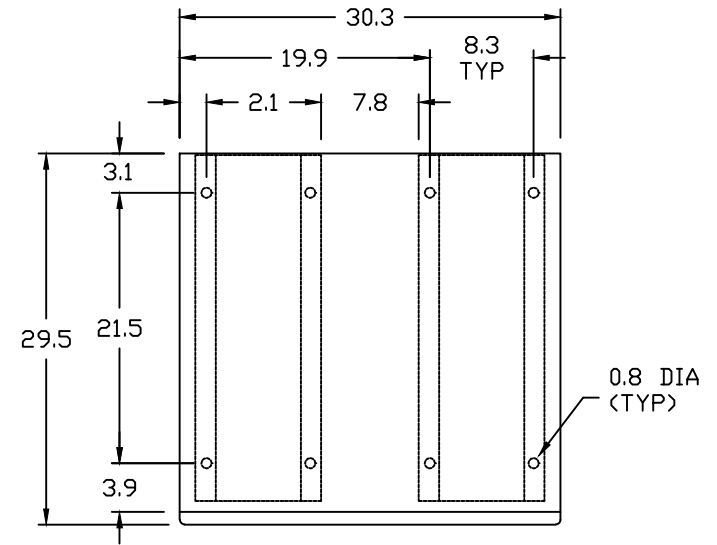
PART NO. SEE TABLE		DESCRIPTION 3 BREAKER MBP PANEL W/ SKRU - 225 AMP MAX.		
MEPPI APPROVED		KINNEY APPROVED		REVISION 3
DATE 01-30-2007	CAD FILE	DRAWING NO.	SHEET	
DRAWN BY RH	MBF97000225A06	M0000307	1 OF 4	

225 AMP M.L.D.  
W/ (1) #6-250MCM  
LUG PER PHASE  
(TYP)



KEY INTERLOCK (2)

PANEL WITH INTERLOCKS



PLAN VIEW  
ANCHOR DETAIL

This Document Contains Proprietary and Confidential Information.  
Duplication, reproduction or use of this document or its contents in any form other than as expressly permitted by Kinney Electrical Mfg. Co., is prohibited.

**MITSUBISHI ELECTRIC POWER PRODUCTS, INC.**  
WARRENDALE, PA

REVISIONS

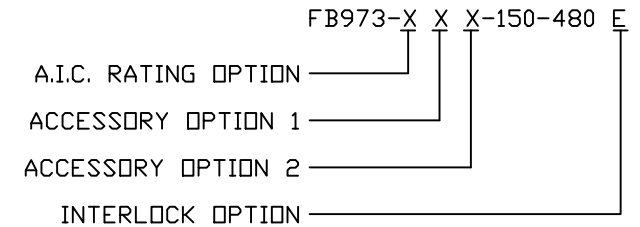
NO.	DESCRIPTION	DATE
1	ADDED 3RD NEUTRAL LUG, TITLE CHANGE 10-12-07	
2	REVISED TITLE / ADDED SHEET 4 (RSH) 02-24-09	
3	REV BRK CALLOUTS & TITLE BLK, REMOVED BRK DESC (RSH) 12-02-10	

PART NO. SEE TABLE		DESCRIPTION 3 BREAKER MBP PANEL W/ SKRU - 225 AMP MAX.		
MEPPI APPROVED		KINNEY APPROVED		REVISION 3
DATE 01-30-2007	CAD FILE	DRAWING NO. M0000307		SHEET 2 OF 4
DRAWN BY RH	MBF97000225A06			

### 3 BREAKER MAINTENANCE BYPASS PANEL (MBP) 15-225 AMPERES

PART NUMBER	UPS SERIES	KVA	BREAKER TYPE	AMPERES	SERVICE	A. I. C. RATING	WIRING DIAGRAM
FB973-CDP-125-480E	9800	80	FD	125	480/277V	35,000	M0000232
FB973-CDP-125-480E	9900A	80	FD	125	480V	35,000	M0000387
FB973-CDP-150-480E	9800	100	FD	150	480/277V	35,000	M0000232
FB973-CDP-150-480E	9900A	100	FD	150	480V	35,000	M0000387
FB973-CDP-225-480E	9800	150	FD	225	480/277V	35,000	M0000232
FB973-CDP-225-480E	9900A	150	FD	225	480V	35,000	M0000387
FB973-CDP-125-600E	9800	100	FD	125	600/347V	18,000	M0000294
FB973-CDP-200-600E	9800	150	FD	200	600/347V	18,000	M0000294

PART NUMBER:



A.I.C. RATING CODES:

H - HIGH INTERRUPTING  
 U - ULTRA HIGH INTERRUPTING

INTERLOCK OPTION:

E - ELECTRICAL INTERLOCK  
 K - KEY INTERLOCK  
 N - NONE

ACCESSORY CODES:

- 1 - 1a/1b AUXILIARY SWITCH
- 2 - 2a/2b AUXILIARY SWITCH
- 3 - 24VDC UNDER VOLTAGE RELEASE
- 4 - 1m/1b ALARM/LOCKOUT SWITCH
- 5 - 1a/1b AUXILIARY & 1m/1b ALARM SWITCH

NOTES:

- 1. ACCESSORIES NORMALLY INSTALLED ON SMB.
- 2. PUT LOWEST CODE IN OPTION 1, i.e. 12, 24.

This Document Contains Proprietary and Confidential Information.  
 Duplication, reproduction or use of this document or its contents in any form other than as expressly permitted by Kinney Electrical Mfg. Co., is prohibited.

**MITSUBISHI ELECTRIC POWER PRODUCTS, INC.**  
**WARRENDALE, PA**

REVISIONS

PART NO. SEE TABLE

NO.	DESCRIPTION	DATE	APPROVED	REVISION
1	ADDED WIRING DIAGRAM TO TABLE (RSH) 05-10-07	01-30-2007	MEPPI APPROVED	7
2	ADDED 18,000 A.I.C. RATING (RSH) 10-04-07		KINNEY APPROVED	
3	TITLE CHANGE 10-12-07			
4	REVISED TABLE & TITLE / ADD SHT 4 (RSH) 02-24-09			

DESCRIPTION **3 BREAKER MBP PANEL W/ SKRU - 225 AMP MAX.**

DATE	01-30-2007	CAD FILE	DRAWING NO.	SHEET
DRAWN BY	RH	MBF97000225A06	M0000307	3 OF 4

A. I. C. RATING	208/120V	RATING CODE	480/277V	RATING CODE	600V	RATING CODE
18,000	--	--	--	--	FD	--
25,000	--	--	--	--	HFD	H
35,000	--	--	FD	--	FDC	U
65,000	ED	--	HFD	H	--	--
100,000	EDH	H	FDC	U	--	--
200,000	EDC	U	--	--	--	--

**ENCLOSURE NOTES:**

**ENCLOSURE:** NEMA 1 (UL 50 LISTED ENCLOSURE).  
**BOX:** 12 GAUGE PAINTED STEEL, CONTINUOUSLY WELDED SEAMS AND CORNERS, NO KNOCKOUTS.  
**DOOR:** 12 GAUGE PAINTED STEEL EQUIPPED WITH MITSUBISHI HANDLE WITH THREE POINT CATCH.  
**FINISH:** MITSUBISHI BEIGE POLYESTER POWDERCOAT APPLIED TO SURFACES TREATED WITH AN IRON PHOSPHATE AND CHROME FREE SEALER.

**MAINTENANCE BYPASS PANEL NOTES:**

**KINNEY PANEL TYPE:** CDP (UL 67 LISTED INTERIOR)  
**SERVICE:** SEE TABLE ABOVE.  
**BUS:** ELECTROLYTIC COPPER OF 98% CONDUCTIVITY, BASED ON 1000 AMPS PER SQUARE INCH DENSITY.  
**WIRE BENDING GUTTER:** MEETS OR EXCEEDS NEC TABLES 312-6(a), 312-6(b).  
**BREAKERS:** CUTLER-HAMMER THERMAL-MAGNETIC, 225 AMP FRAME, 3 POLE, TRIP AS INDICATED; SEE TABLE ABOVE FOR BREAKER TYPE, AMPERES, AND A.I.C. RATING.  
**BREAKER TERMINAL LUG:** 125-225 AMP (1) #14-4/0 PER PHASE.  
**KEY INTERLOCK:** KIRK TYPE FL, BREAKERS ARE INTERLOCKED IN THE OPEN POSITION.  
**SOLENOID KEY RELEASE:** KIRK TYPE SKRU, 110V COIL.

This Document Contains Proprietary and Confidential Information.  
Duplication, reproduction or use of this document or its contents in any form other than as expressly permitted by Kinney Electrical Mfg. Co., is prohibited.

**MITSUBISHI ELECTRIC POWER PRODUCTS, INC.**  
**WARRENDALE, PA**

REVISIONS			PART NO.	SEE TABLE		
1	ADDED SHEET 4 (RSH) 02-24-09		DESCRIPTION <b>3 BREAKER MBP PANEL W/ SKRU - 225 AMP MAX.</b>			
2	REVISED TITLE BLOCK (RSH) 12-02-10		MEPPI APPROVED	KINNEY APPROVED		REVISION <b>2</b>
			DATE <b>01-30-2007</b>	CAD FILE	DRAWING NO.	SHEET
			DRAWN BY <b>RH</b>	<b>MBF97000225A06</b>	<b>M0000307</b>	<b>4 OF 4</b>