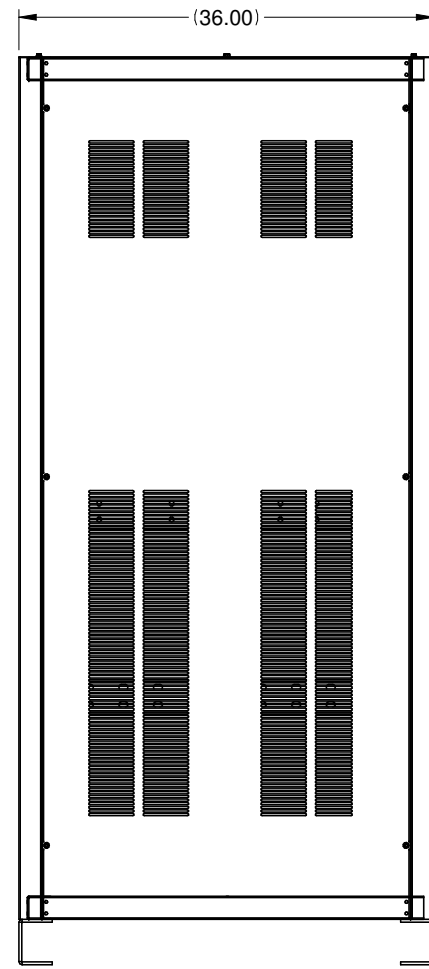
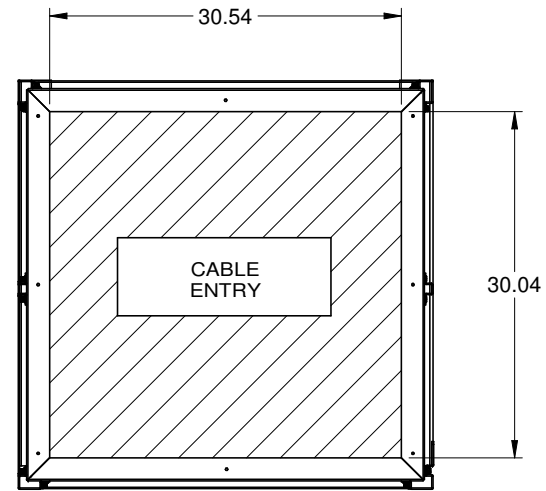


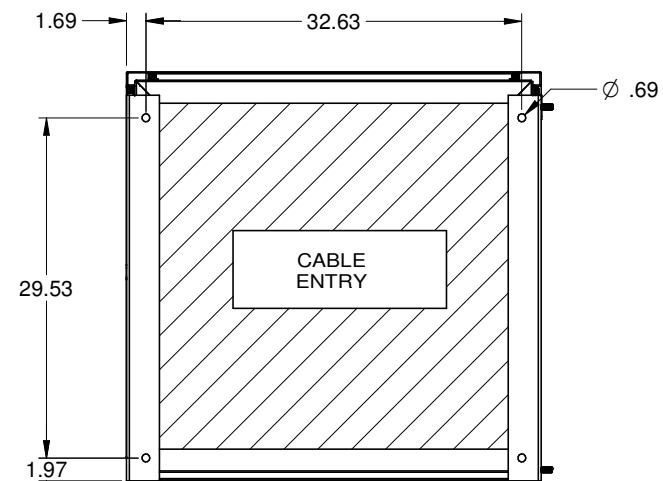
**LEFT SIDE**



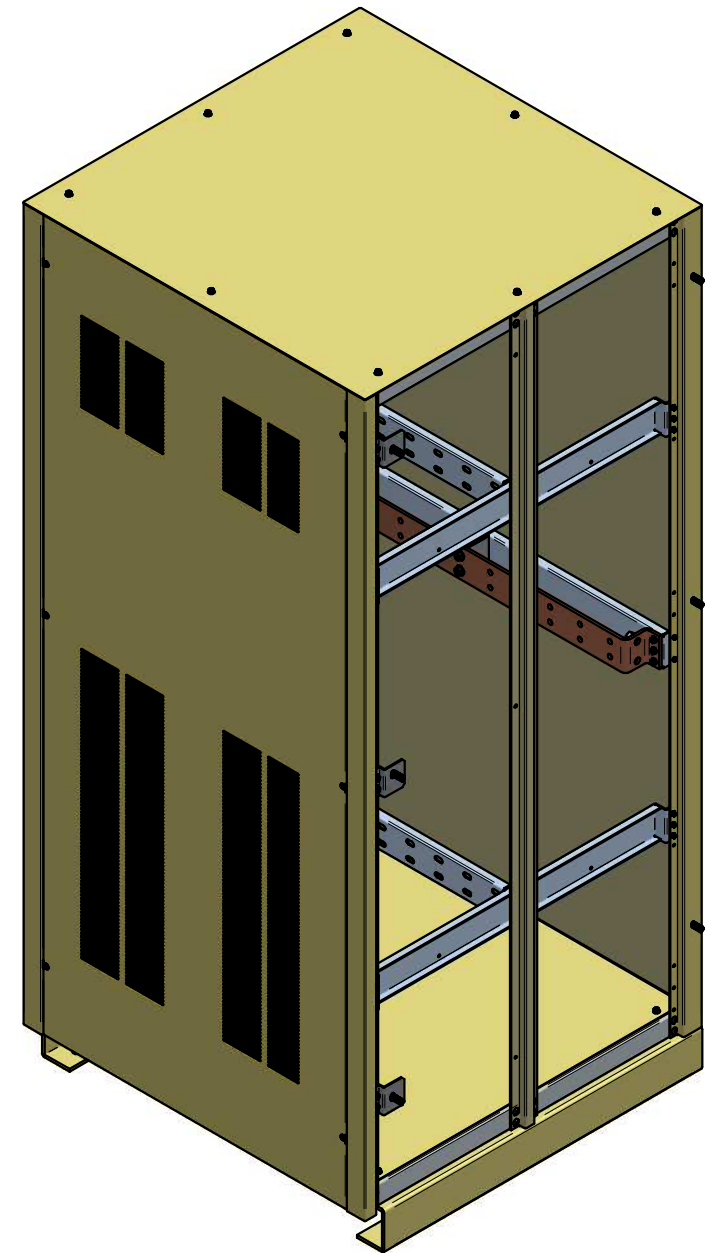
**FRONT**



**TOP**



**BOTTOM**



- NOTES:  
 1. SIDE CAR IS DESIGNED TO INTEGRALLY ATTACH TO THE LEFT SIDE OF THE 9900CX UPS.  
 2. SIDE CAR WEIGHT: 473 LBS.  
 3. ATTACH SIDE CAR TO UPS VIA SUPPLIED 3/8" HARDWARE.  
 4. CUSTOMER GROUND PROVISIONS, 10X NEMA 2-HOLE PATTERN.

**SIDE CAR ASSEMBLY**

REVISIONS

0. RELEASED FOR CONSTRUCTION  
 IMARTORELL  
 11/10/2017

DIMENSIONS IN: IN (MM) (REF)	SCALE - NTS -	DRAFTER IMARTORELL	DATE 11/10/17	<p><b>MITSUBISHI ELECTRIC</b></p>	
<p><b>PROPRIETARY</b>                  This document is the property of Mitsubishi Electric Power Products, Inc. and contains proprietary and confidential information which must not be duplicated, used or disclosed other than as expressly authorized by Mitsubishi Electric Power Products, Inc.</p>		APPROVED N.RIEMER	DATE 11/10/17		TITLE CABLE SIDE CAR SALES DRAWING
CORE/REFERENCE DRAWING (IF APPLICABLE)		DWG. NO. UD-100700S		SHEET 1 OF 1	REV. 0