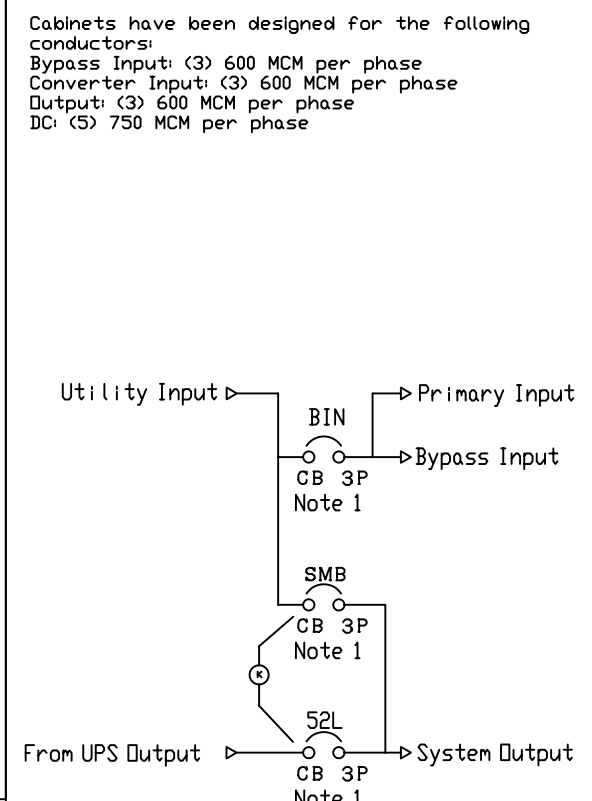
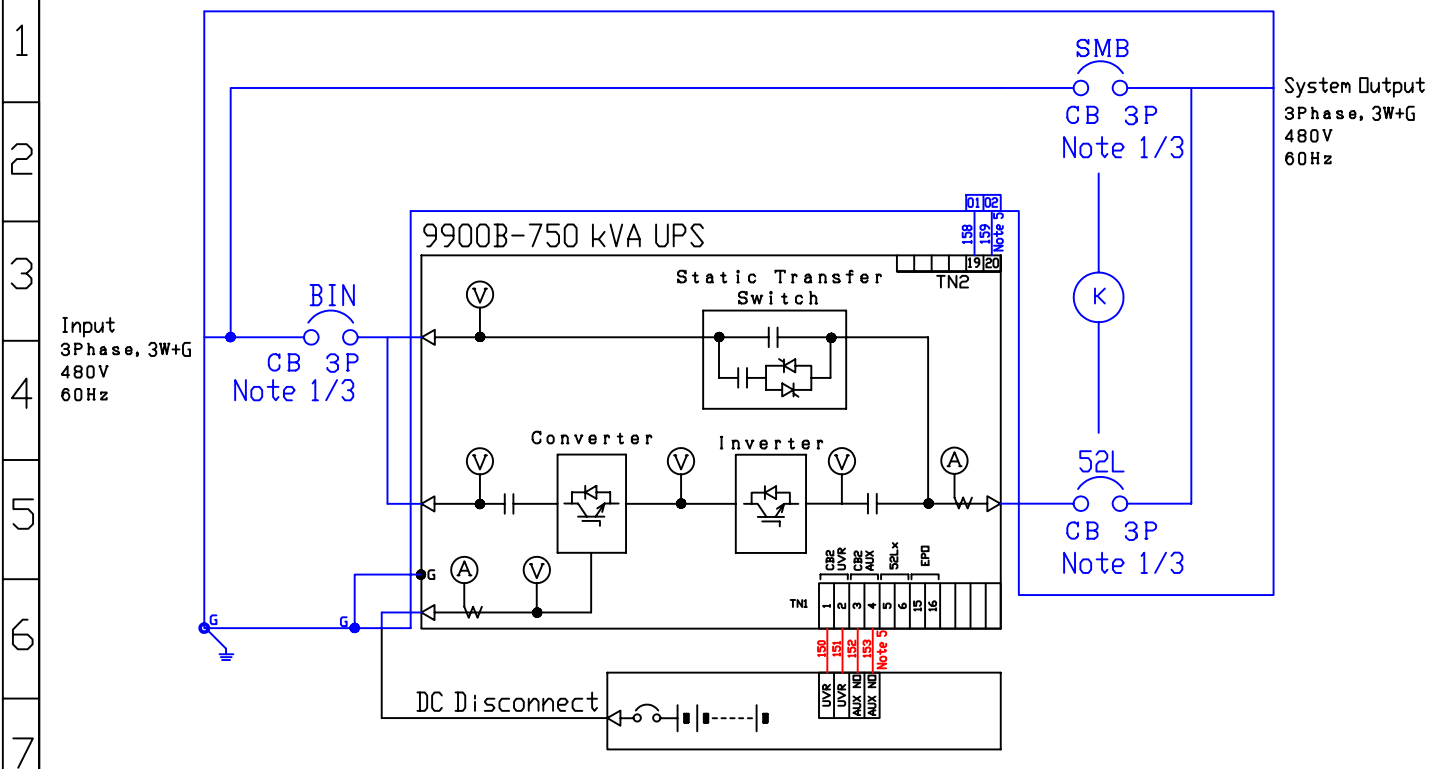


A B C D E F G H I J K L M N O P Q



Cabinets have been designed for the following conductors:
 Bypass Input: (3) 600 MCM per phase
 Converter Input: (3) 600 MCM per phase
 Output: (3) 600 MCM per phase
 DC: (5) 750 MCM per phase

- Note 1
1200 AF
1200 AT
100 or 65 kAIC
100 % Rated
Thermal Magnetic Trips
or equivalent
- Note 2
Connections made directly
to breaker input, bus output
- Note 3
Breaker to be bus input/output
- Note 4
Output Bus to have provisions
for (3) 2 hole compression lugs
- Note 5
16 Gauge THHN or equivalent

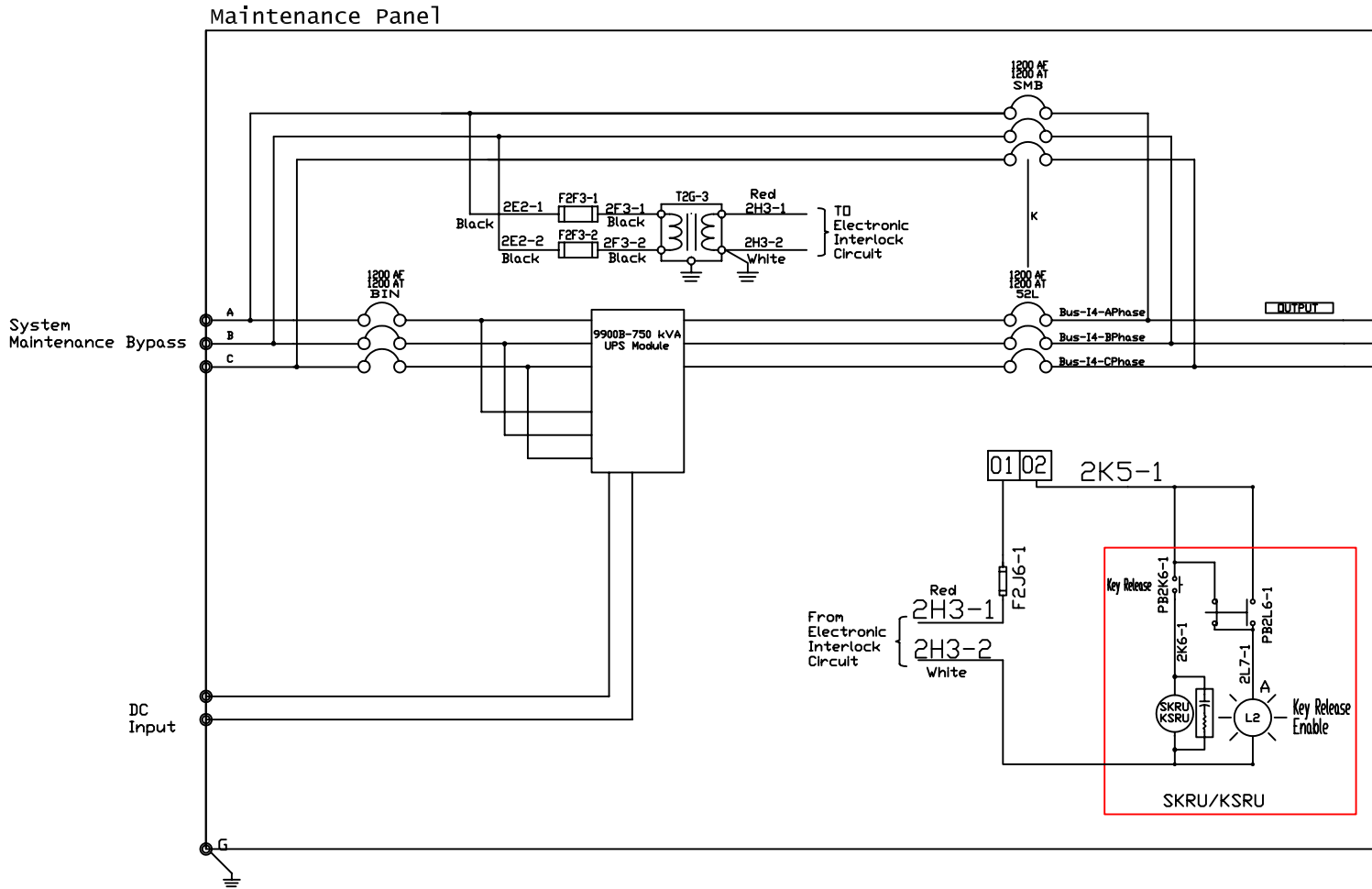
- Note 6
Lugs provided by others, (3) 2 hole
compression provisions made on all
bus connections, Lugs for (3) conductors
per phase provided on connections
made directly to breakers
- Note 7
Connections made directly
to breaker output, bus input

REVISIONS	

DIMENSIONS	SCALE	DRAFTER	DATE
IN [MM]	NTS	J. Steele	10/24/09
PROPRIETARY		CHECKED	DATE
THIS DOCUMENT IS THE PROPERTY OF MITSUBISHI ELECTRIC POWER PRODUCTS, INC. AND CONTAINS PROPRIETARY AND CONFIDENTIAL INFORMATION WHICH MUST NOT BE REPRODUCED, COPIED, OR DISCLOSED WITHOUT THE EXPRESS AUTHORIZATION OF MITSUBISHI ELECTRIC POWER PRODUCTS, INC.		ENGINEER	DATE
REF DWG. NO. AE00024-99B-00004	APPROVED	DATE	
FILE LOCATION: E:\UPS Sales\Projects\Engineers\Folders\Yvesparadiet			
TITLE			
Maintenance panel -4			
DWG. NO.	REF		
AE00024-99B-00004	1		

A B C D E F G H I J K L M N O P Q

1
2
3
4
5
6
7
8
9



BMI DP Material-AE-99B-00004

Location	Description	50k. SKRU	65k. SKRU	100k. SKRU	100k. KSRU				
Various	MCCB, Thermal Magnetic, 65 kAIC, 1200AF/AT, 100%	3	3	0	0				
Various	MCCB, Thermal Magnetic, 100 kAIC, 1200AF/AT, 100%	0	0	3	3				
F2F3-1, F2F3-2	2 pole, 1 Amp 600 VAC Fuse	1	1	1	1				
T2-G3	250 VA 480 VAC to 120 VAC transformer	1	1	1	1				
F2J6-1	Single Pole, 600 VAC 3 Amp Fuse	1	1	1	1				
Terminals, 2J5-1	Screw Type, 2 position terminal strip	1	1	1	1				
PB2K6-1	120 VAC Push Button	1	1	1	1				
PB2L6-1	120 VAC Push to test button	1	1	1	1				
Light 2LB	120 VAC Amber LED Light	1	1	1	1				
SKRU 2KB	Selenoid Key Release Unit	1	0	1	0				
KSRU 2KB	Keyless Selenoid Release Unit	0	1	0	1				
Misc Wire	16 Gauge THHN, Red	100	100	100	100				
Misc Wire	16 Gauge THHN, White	100	100	100	100				
Misc Wire	16 Gauge THHN, Black	100	100	100	100				
Misc Wire	16 Gauge THHN, Green	100	100	100	100				
Misc Labels	Breaker Labels	100	100	100	100				
Misc Labels	Warning Signs	100	100	100	100				
Misc Labels	Interlock Procedure	100	100	100	100				
Misc Labels	Wire, transformer, fuses, push buttons, etc.	100	100	100	100				
Misc Wireway	Wireway for 16 Gauge THHN	100	100	100	100				
Interlock Procedure 1	SKRU, No LBT	1	0	1	0				
Interlock Procedure 2	SKRU, LBT	0	0	0	0				
Interlock Procedure 3	KSRU	0	1	0	1				

REVISIONS

DIMENSIONS IN [MM]	SCALE NTS	DRAFTER J. Steele	DATE 10/24/09
PROPRIETARY		CHECKED	DATE
THIS DOCUMENT IS THE PROPERTY OF MITSUBISHI ELECTRIC POWER PRODUCTS, INC. AND CONTAINS PROPRIETARY AND CONFIDENTIAL INFORMATION WHICH MUST NOT BE DISSEMINATED OUTSIDE OR REPRODUCED WITHOUT THE EXPRESS AUTHORIZATION BY MITSUBISHI ELECTRIC POWER PRODUCTS, INC.		ENGINEER	DATE
REF DWG. NO. AE00024-99B-00004		APPROVED	DATE
FILE LOCATION: E:\UPS Sales\Projects\Engineers\Folders\Yreparadise		TITLE Maintenance panel -4	
		DWG NO. AE00024-99B-00004	
		REV 1	

