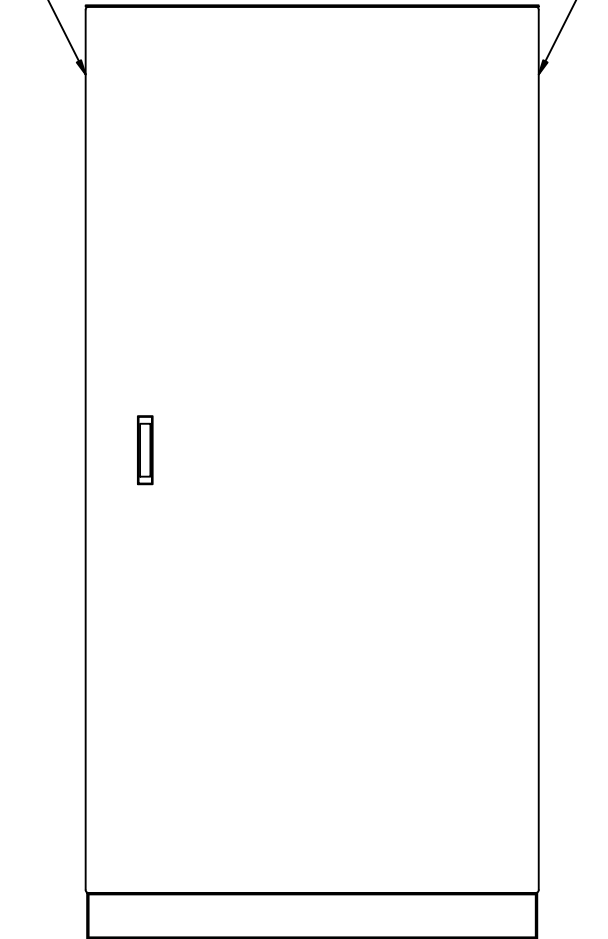
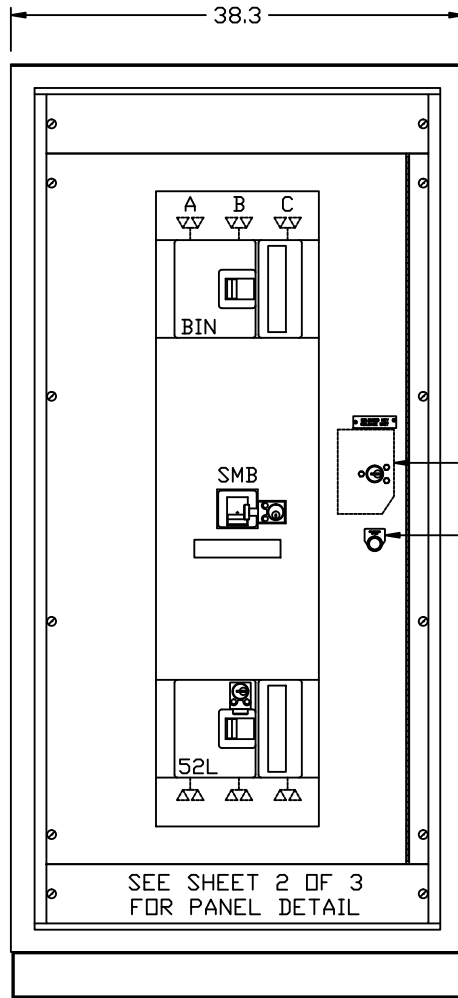


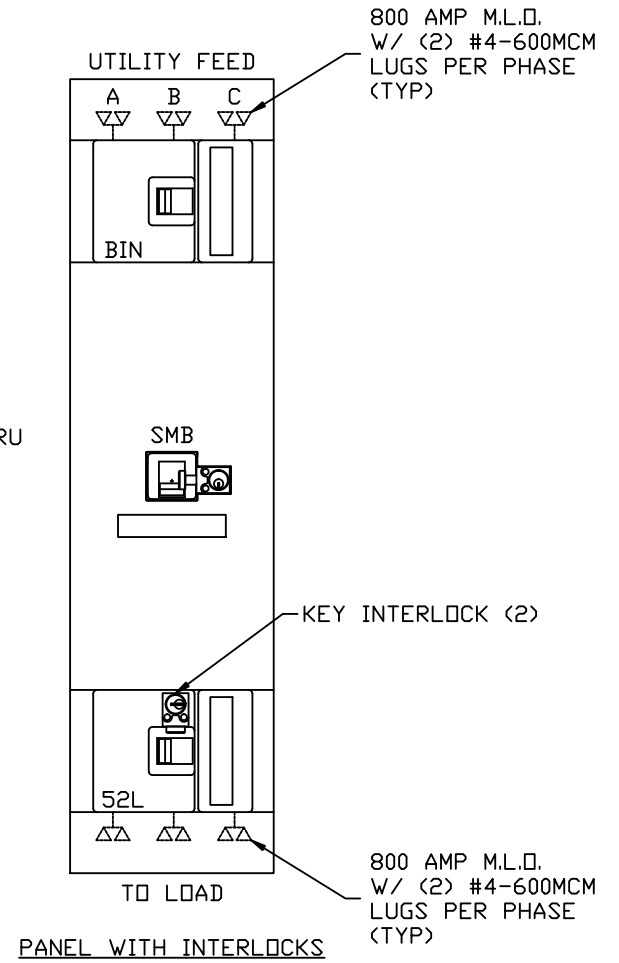
REMOVABLE RIGHT AND LEFT SIDE COVERS



FRONT VIEW  
DOOR SHOWN



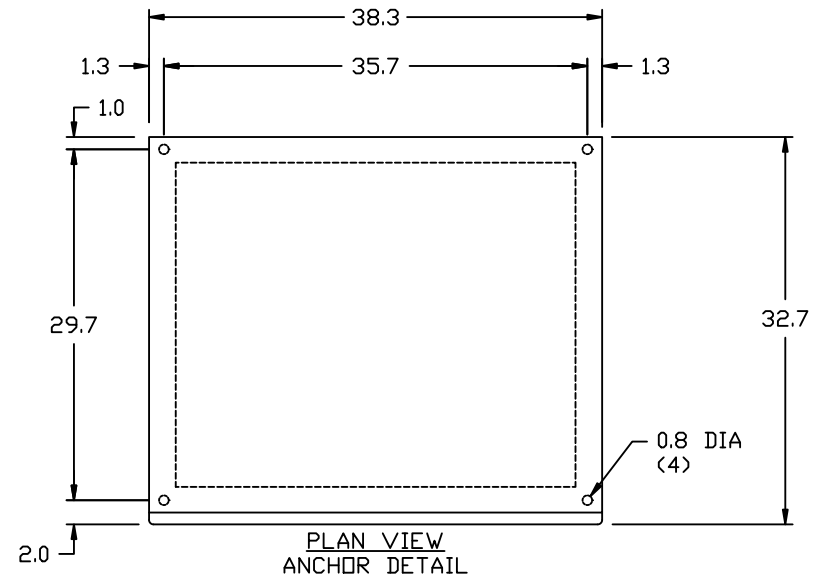
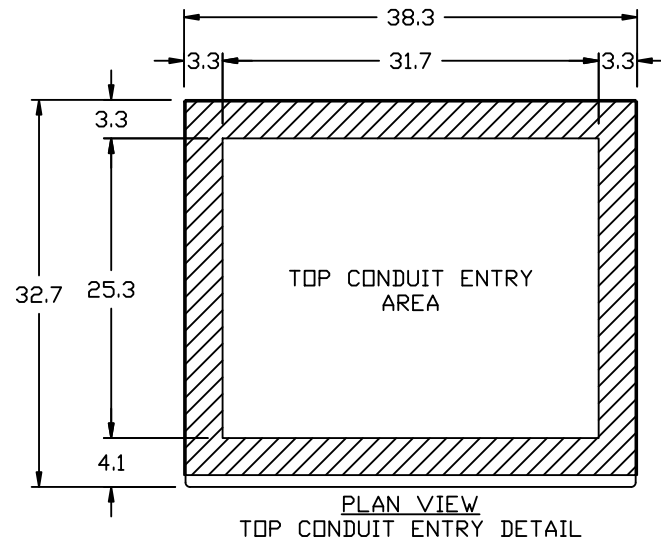
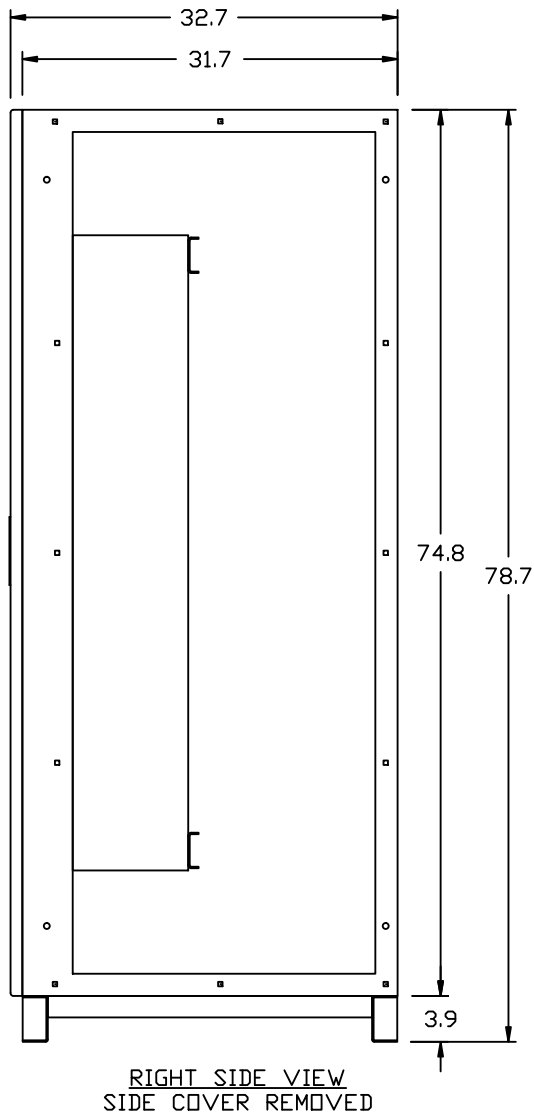
FRONT VIEW  
DOOR REMOVED



This Document Contains Proprietary and Confidential Information.  
Duplication, reproduction or use of this document or its contents in any form other than as expressly permitted by Kinney Electrical Mfg. Co., is prohibited.

**MITSUBISHI ELECTRIC POWER PRODUCTS, INC.**  
**WARRENDALE, PA**

REVISIONS			PART NO. <b>SEE TABLE</b>			
<b>1</b>	<b>BREAKER CALLOUT BIN WAS MBN (RSH) 04-13-11</b>		<b>DESCRIPTION 3 BRK FREE STANDING MBP PANEL - 800 AMP MAX. W/ SKRU</b>			
			MEPPI APPROVED	KINNEY APPROVED	REVISION <b>1</b>	
			DATE <b>03-01-2011</b>	CAD FILE	DRAWING NO.	SHEET
			DRAWN BY <b>RFM / RH</b>	<b>MBF99000800A05</b>	<b>M0000443</b>	<b>1 OF 3</b>



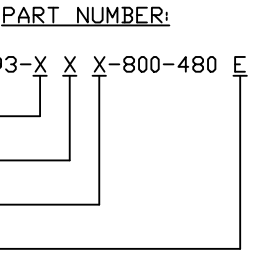
This Document Contains Proprietary and Confidential Information.  
Duplication, reproduction or use of this document or its contents in any form other than as expressly permitted by Kinney Electrical Mfg. Co., is prohibited.

**MITSUBISHI ELECTRIC POWER PRODUCTS, INC.**  
**WARRENDALE, PA**

REVISIONS			PART NO. <b>SEE TABLE</b>			
<b>1</b>	<b>REVISED RIGHT SIDE VIEW &amp; ANCHOR DETAIL (RSH) 04-21-11</b>		<b>DESCRIPTION 3 BRK FREE STANDING MBP PANEL - 800 AMP MAX. W/ SKRU</b>			
			MEPPI APPROVED	KINNEY APPROVED	REVISION <b>1</b>	
			DATE <b>03-01-2011</b>	CAD FILE	DRAWING NO.	SHEET
			DRAWN BY <b>RFM /RH</b>	<b>MBF99000800A05</b>	<b>M0000443</b>	<b>2 OF 3</b>

**3 BREAKER MAINTENANCE BYPASS PANEL (MBP) 800 AMPERES**

PART NUMBER	UPS SERIES	KVA	BIN BREAKER		SMB/52L BREAKERS		BREAKER LUGS/PHASE	SERVICE	A. I. C. RATING	WIRING DIAGRAM
			TYPE	AMPERES	TYPE	AMPERES				
FB993-CDP-800-480E	9900B	500	CMDL	800	MDL	800	(2) 500-750MCM	480V	50,000	M0000411



A. I. C. RATING	480V	RATING CODE
50,000	MDL	--
65,000	MDL/HMDL	H
100,000	--	--

A.I.C. RATING OPTION \_\_\_\_\_

ACCESSORY OPTION 1 \_\_\_\_\_

ACCESSORY OPTION 2 \_\_\_\_\_

INTERLOCK OPTION \_\_\_\_\_

A.I.C. RATING CODES:

H - HIGH INTERRUPTING

INTERLOCK OPTION:

E - ELECTRICAL INTERLOCK

ACCESSORY CODES:

1 - 1a/1b AUXILIARY SWITCH  
 2 - 2a/2b AUXILIARY SWITCH  
 3 - 24VDC UNDER VOLTAGE RELEASE  
 4 - 1m/1b ALARM/LOCKOUT SWITCH  
 5 - 1a/1b AUXILIARY & 1m/1b ALARM SWITCH

NOTES:

1. ACCESSORIES NORMALLY INSTALLED ON SMB.  
 2. PUT LOWEST CODE IN OPTION 1, i.e. 12, 24.

ENCLOSURE NOTES:  
ENCLOSURE: NEMA 1 (UL 50 LISTED ENCLOSURE).  
BOX: 12 GAUGE PAINTED STEEL, CONTINUOUSLY WELDED SEAMS AND CORNERS, NO KNOCKOUTS.  
DOOR: 12 GAUGE PAINTED STEEL EQUIPPED WITH MITSUBISHI HANDLE WITH THREE POINT CATCH.  
FINISH: MITSUBISHI BEIGE POLYESTER POWDERCOAT APPLIED TO SURFACES TREATED WITH AN IRON PHOSPHATE AND CHROME FREE SEALER.

MAINTENANCE BYPASS PANEL NOTES:  
KINNEY PANEL TYPE: CDP (UL 67 LISTED INTERIOR)  
SERVICE: SEE TABLE ABOVE.  
BUS: ELECTROLYTIC COPPER OF 98% CONDUCTIVITY, BASED ON 1000 AMPS PER SQUARE INCH DENSITY.  
WIRE BENDING GUTTER: MEETS OR EXCEEDS NEC TABLES 312-6(a), 312-6(b).  
(BIN) BREAKER: CUTLER-HAMMER 800 AMP FRAME, 3 POLE DIGITRIP RMS 310LS TRIP, 100% RATED, TRIP AS INDICATED; SEE TABLE ABOVE FOR BREAKER TYPE, AMPERES, LUGS PER PHASE AND A.I.C. RATING.  
(SMB & 52L) BREAKERS: CUTLER-HAMMER THERMAL-MAGNETIC, 800 AMP FRAME, 3 POLE, TRIP AS INDICATED; SEE TABLE ABOVE FOR BREAKER TYPE, AMPERES, LUGS PER PHASE AND A.I.C. RATING.  
KEY INTERLOCK: KIRK TYPE FL, BREAKERS ARE INTERLOCKED IN THE OPEN POSITION.  
SOLENOID KEY RELEASE: KIRK TYPE SKRU, 110V COIL.

This Document Contains Proprietary and Confidential Information.  
 Duplication, reproduction or use of this document or its contents in any form other than as expressly permitted by Kinney Electrical Mfg. Co., is prohibited.

**MITSUBISHI ELECTRIC POWER PRODUCTS, INC.**  
**WARRENDALE, PA**

REVISIONS			PART NO.	<b>SEE TABLE</b>		
1	REMOVED BRK TERM LUG NOTE, REV RATING TABLE & INTERLOCK OPTION.		DESCRIPTION	<b>3 BRK FREE STANDING MBP PANEL - 800 AMP MAX. W/ SKRU</b>		
	ADD BRK LUGS PER / PHASE AND WIRING DIAGRAM TO TABLE (R#) 04-13-11		MEPPI APPROVED	KINNEY APPROVED		REVISION <b>2</b>
2	REVISED BREAKER NOTE (R#) 04-21-11		DATE	<b>03-01-2011</b>	CAD FILE	DRAWING NO.
			DRAWN BY	<b>RFM / RH</b>	<b>MBF99000800A05</b>	<b>M0000443</b>
						SHEET <b>3 OF 3</b>