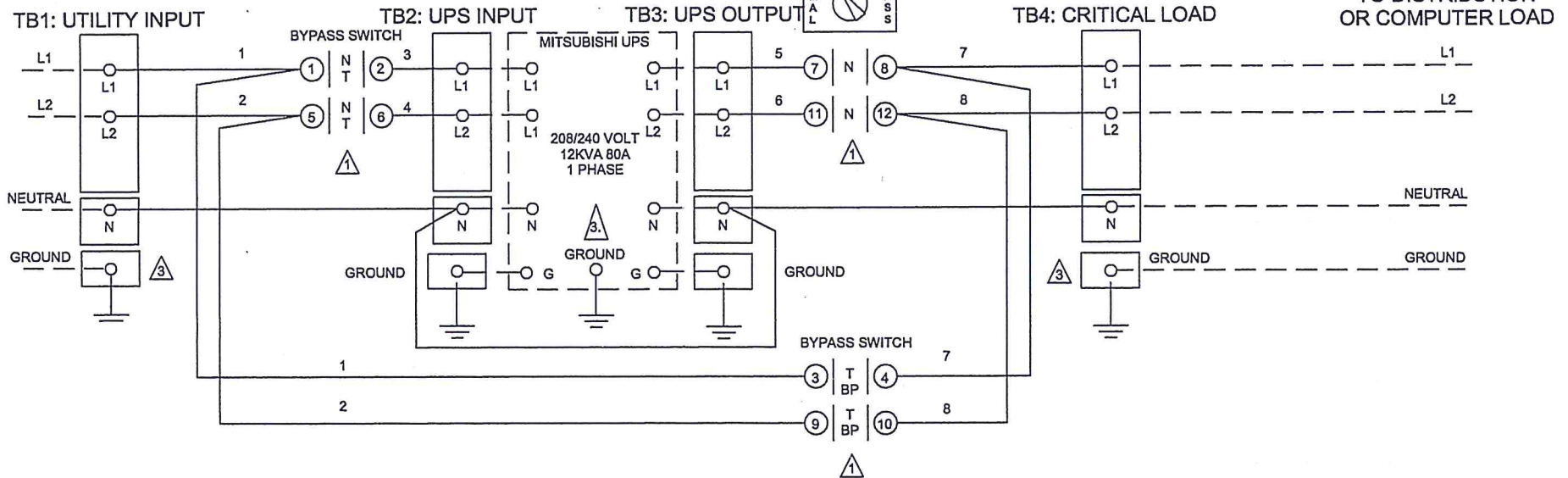


△ INCOMING POWER: 208/240 VOLTS AC, 1 PHASE, 3 WIRE, 50/60Hz
INTERNAL CABLE: # 4 AWG (85A per UL-508A 4/07)

BYPASS SWITCH



NOTES:

- △ SWITCH CONTACTS ARE "MAKE-BEFORE-BREAK"
POS. 1: CONTACTS MARKED "N" ARE CLOSED IN THE "NORMAL" POSITION.
POS. 2: CONTACTS MARKED "T" ARE CLOSED IN THE "TEST" POSITION.
POS. 3: CONTACTS MARKED "BP" ARE CLOSED IN THE "BYPASS" POSITION.
- △ DISCONNECT SWITCH AND BRANCH CIRCUIT PROTECTION TO BE PROVIDED BY INSTALLER.
- △ ALL GROUNDS ARE ISOLATED FROM NEUTRAL.

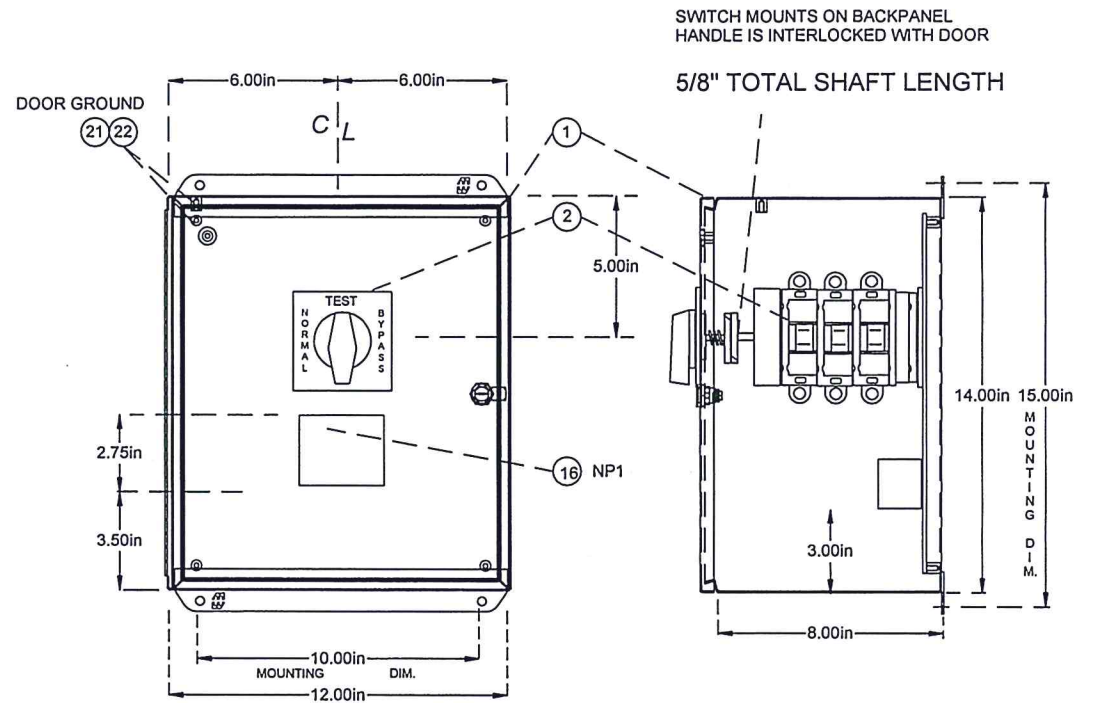
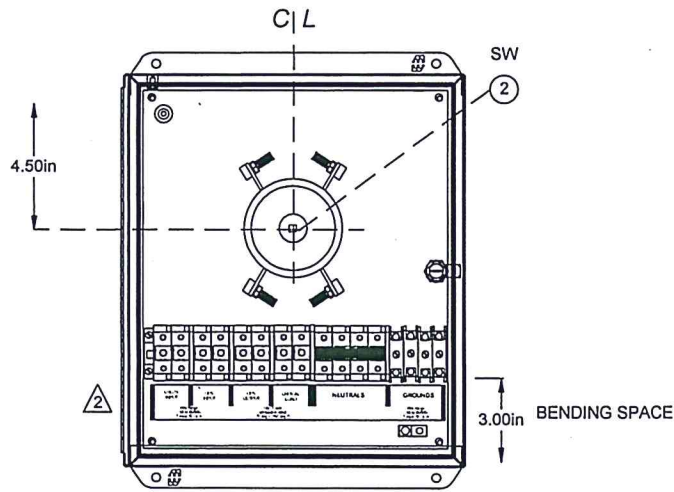
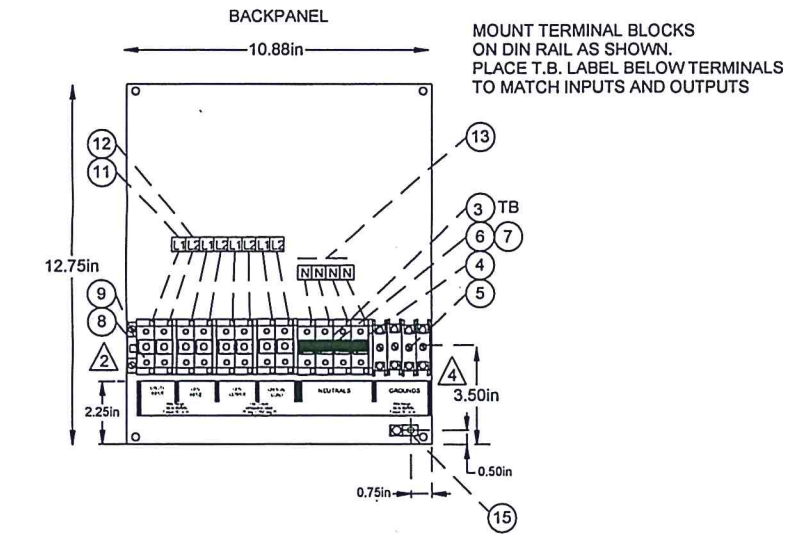
PART NUMBER	MBS-7011A-4
CUSTOMER	MITSUBISHI UPS GROUP

DESCRIPTION	80A, 2 pole MBC schematic		
DRAWN BY:	MFN	DATE:	02/05/04
APPROVAL:	D.U.	DATE:	02/05/04

Replaces drawing #: MBS-7011A-4-S-1103			
REV.	DATE:	DESC.:	APPR :
REV. A:	4/16/07	Increased wire size per UL-508A field ratings 4/07	D.U.
REV. B:	05/14/08	Changed wording of input requirements.	D.U.
REV. C:			
REV. D:			
DRAWING NO:		MBS-7011A-4-S-0204	



**MITSUBISHI
UPS GROUP**



NOTES: 1 Center 8" din rail and screenprinted nameplate on backpanel.
2 Use laminated preprinted label from document MBS-7011A-4-L2-0512 for terminal strip.

PART NUMBER

MBS-7011A-4

CUSTOMER

MITSUBISHI UPS GROUP

DESCRIPTION 70A, 2 pole MBC dimensional

DRAWN BY: MFN

DATE: 02/05/04

APPROVAL: D.U.

DATE: 02/05/04

Replaces drawing #: MBS-7011A-4-D-1103

REV.	DATE:	DESC.:	APPR :
REV. A:	3/11/04	Dimension chg. on switch, added spacer info.	D.U.
REV. B:	06/30/04	Changed switch	D.U.
REV. C:	04/16/07	Increased size of terminal blocks and wire per UL-508A directive 4/07	D.U.
REV. D:	04/10/08	Modified wording on shaft length	D.U.
REV. E:	03/10/09	Added preprinted t.b. label info.	D.U.
REV. F:	05/24/12	Label changes and additions	D.U.

DRAWING NO: MBS-7011A-4-D-0204



MITSUBISHI
UPS GROUP