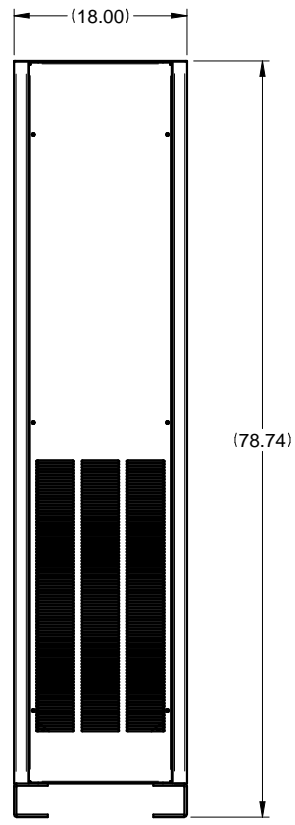
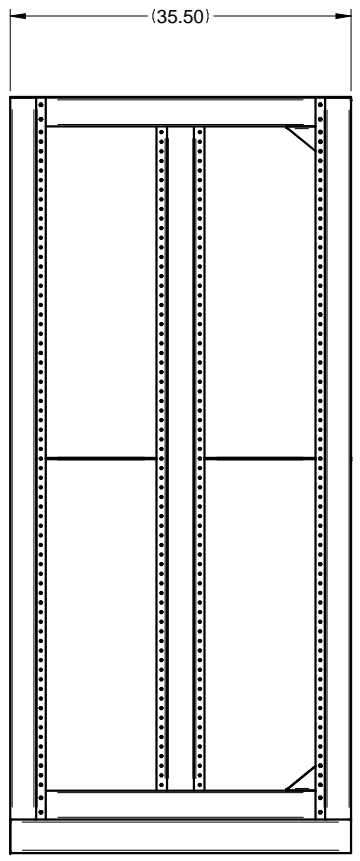


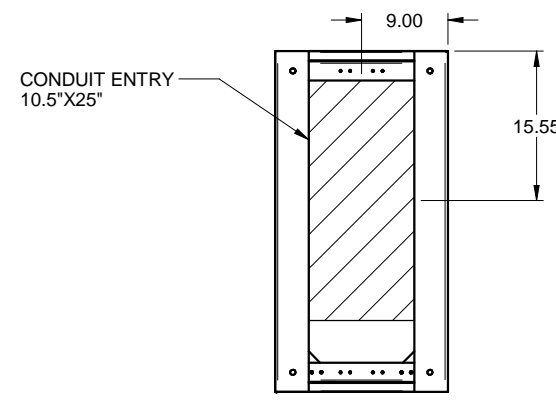
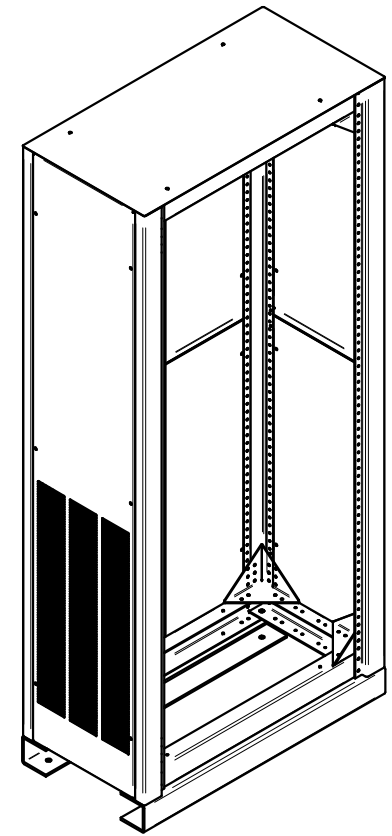
TOP VIEW



FRONT VIEW



RIGHT SIDE VIEW



BOTTOM VIEW

REVISIONS	0. RELEASED FOR CONSTRUCTION Z.ZAJAC 9/11/2018
	0. ADDED CONDUIT ENTRY VIEWS Z.ZAJAC 9/11/2018

DIMENSIONS IN: IN [MM] (REF)	SCALE - NTS -	DRAFTER Z.ZAJAC	DATE 12/19/39	
<p>PROPRIETARY This document is the property of Mitsubishi Electric Power Products, Inc. and contains proprietary and confidential information which must not be duplicated, used or disclosed other than as expressly authorized by Mitsubishi Electric Power Products, Inc.</p>		APPROVED N.RIEMER	DATE 12/19/39	
CORE/REFERENCE DRAWING (IF APPLICABLE)				TITLE 9900C 18" SIDECAR
DWG. NO. UD-100386S		SHEET 1 OF 1		REV. 1