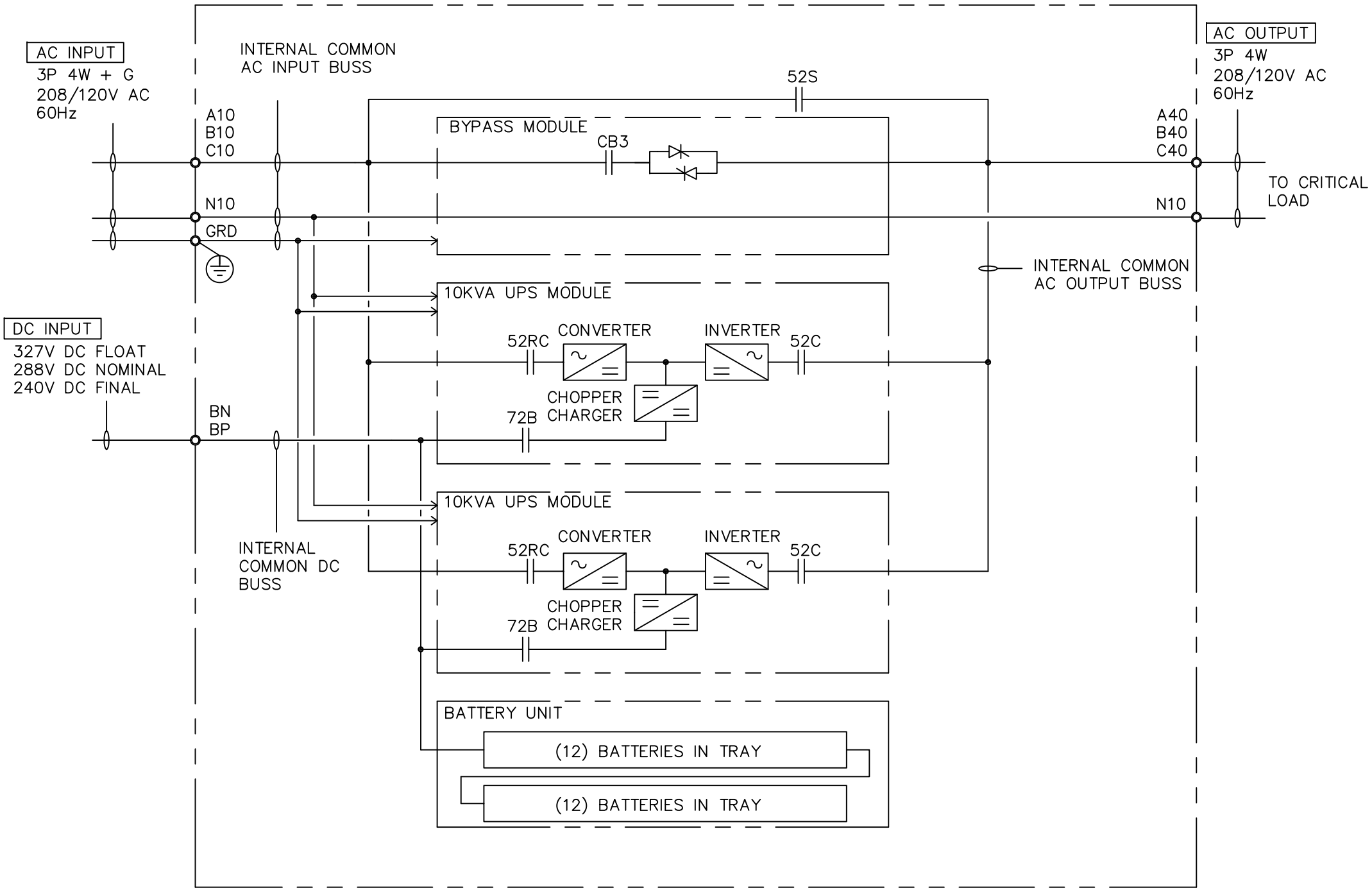


1100 SERIES UPS WITH PROVISIONS FOR INTERNAL BATTERIES



REVISIONS	DATE	DESCRIPTION
00. INITIAL RELEASE G. JOHNSTON	11/08/2011	
01. NOTES & DESCRIPTIONS UPDATED G. JOHNSTON	11/30/2011	

DIM. IN: INCHES	SCALE: NTS	DRAFTER: M. MEINERT	DATE: 09/29/11	<p>MITSUBISHI ELECTRIC POWER PRODUCTS, INC. WARRENDALE, PA.</p> <p>TITLE: 1100 SERIES UPS WITH INTERNAL BATTERIES SINGLE LINE SCHEMATIC</p> <p>REF. DWG. No. JDA2287</p> <p>FILE LOCATION:</p>
<small>PROPRIETARY</small> <small>THIS DOCUMENT IS PROPERTY OF MITSUBISHI ELECTRIC POWER PRODUCTS INC. AND CONTAINS PROPRIETARY AND CONFIDENTIAL INFORMATION WHICH MUST NOT BE DUPLICATED, USED OR DISCLOSED OTHER THAN AS EXPRESSLY AUTHORIZED BY MITSUBISHI ELECTRIC POWER PRODUCTS, INC.</small>		CHECKED: M. BALMER	DATE: 09/29/11	
		ENGINEER: M. MEINERT	DATE: 09/29/11	
		APPROVED: K. BEAMER	DATE: 10/31/11	
			DWG No. UD-100098	REV: 1