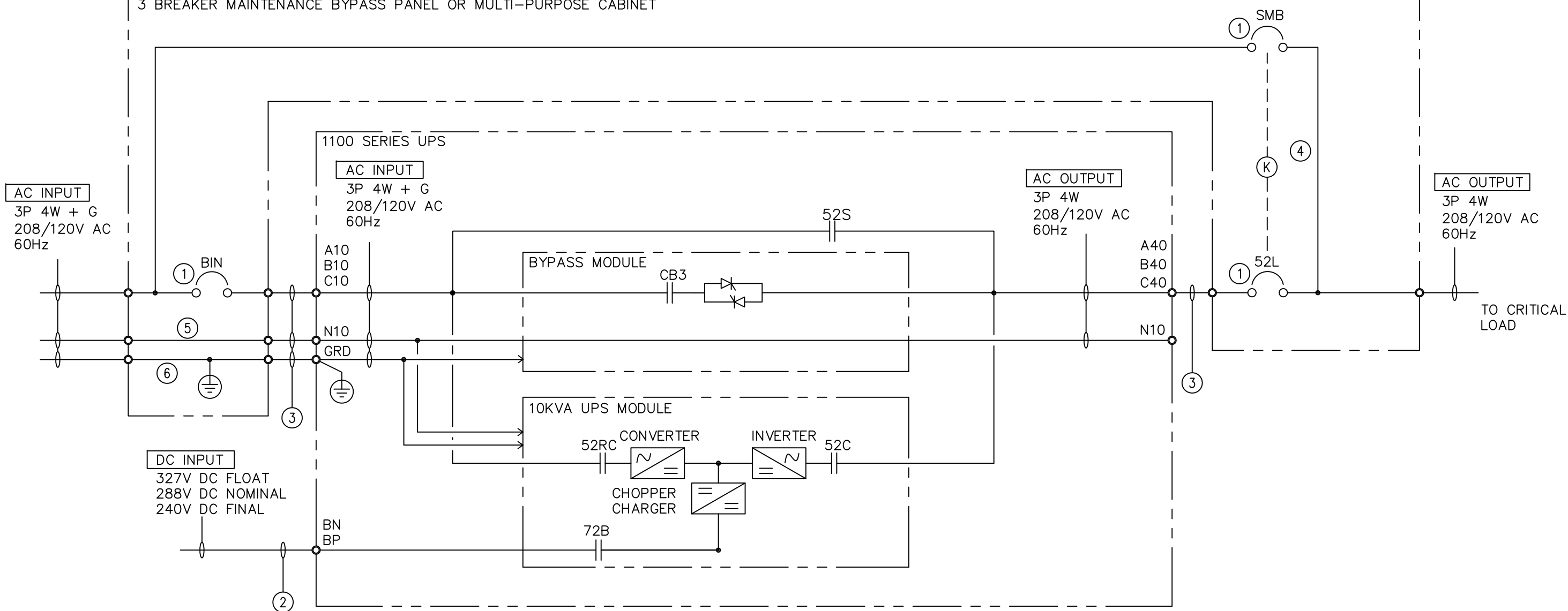


1100A SERIES UPS 3 BREAKER WITH MAINTENANCE BYPASS PANEL

3 BREAKER MAINTENANCE BYPASS PANEL OR MULTI-PURPOSE CABINET



NOTES:

- ① THIS IS A MODULAR UPS SYSTEM ALLOWING THE UPS KVA RANGE TO BE INCREASED FROM 10KVA TO 50KVA IN 10KVA INCREMENTS. THE END-USER IS RESPONSIBLE FOR SIZING ALL ASSOCIATED APPURTENANCES BASED ON PROJECTED LOAD AND ALL APPLICABLE STATE, LOCAL & FEDERAL CODES.
- ② DC CABLE SUPPLIED BY OTHERS, (IF THE BATTERY CABINET IS ADJACENT TO THE UPS).(OPTIONAL CABLE KITS ARE AVAILABLE FROM MEPPi).
- ③ AC CABLE SUPPLIED BY OTHERS, IF THE MULTI-PURPOSE CABINET IS ADJACENT TO THE UPS. CABLE KITS ARE NOT AVAILABLE FOR WALL MOUNTED MAINTENANCE BYPASS PANELS.
- ④ OPTIONAL SKRU/SKPM.
- ⑤ NEUTRAL BUS PROVIDED. LOAD NEUTRAL IS LANDED AT THIS BUS.
- ⑥ GROUND BUS PROVIDED, LOAD GROUND IS LANDED AT THIS BUS.

REVISIONS	ADDED NOTES	NOTES & DESCRIPTIONS UPDATED	GENERAL REVISION	GROUNDING DETAIL REVISION
01.	G. JOHNSTON 11/08/2011		G. JOHNSTON 05/30/2012	J.MENDEZ 04/30/2018
02.		G. JOHNSTON 11/30/2011		
03.				
04.				

DIM. IN- INCHES	SCALE: NTS	DRAFTER: M. MEINERT	DATE: 09/28/11	MITSUBISHI ELECTRIC POWER PRODUCTS, INC. WARRENDALE, PA. TITLE: 1100 SERIES UPS MULTI-PURPOSE CABINET SCHEMATIC REF. DWG. No. UD-100170 SHEET 1 OF 1 REV: 4
PROPRIETARY THIS DOCUMENT IS PROPERTY OF MITSUBISHI ELECTRIC POWER PRODUCTS INC. AND CONTAINS PROPRIETARY AND CONFIDENTIAL INFORMATION WHICH MUST NOT BE DUPLICATED, USED OR DISCLOSED OTHER THAN AS EXPRESSLY AUTHORIZED BY MITSUBISHI ELECTRIC POWER PRODUCTS, INC.		CHECKED: M. BALMER	DATE: 09/29/11	
		ENGINEER: M. MEINERT	DATE: 09/29/11	
		APPROVED: K. BEAMER	DATE: 10/31/11	
FILE LOCATION:				UD-100170