

mitsubishi 7011B 6kVA UPS

CUSTOMER -


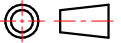
PROJECT NUMBER -

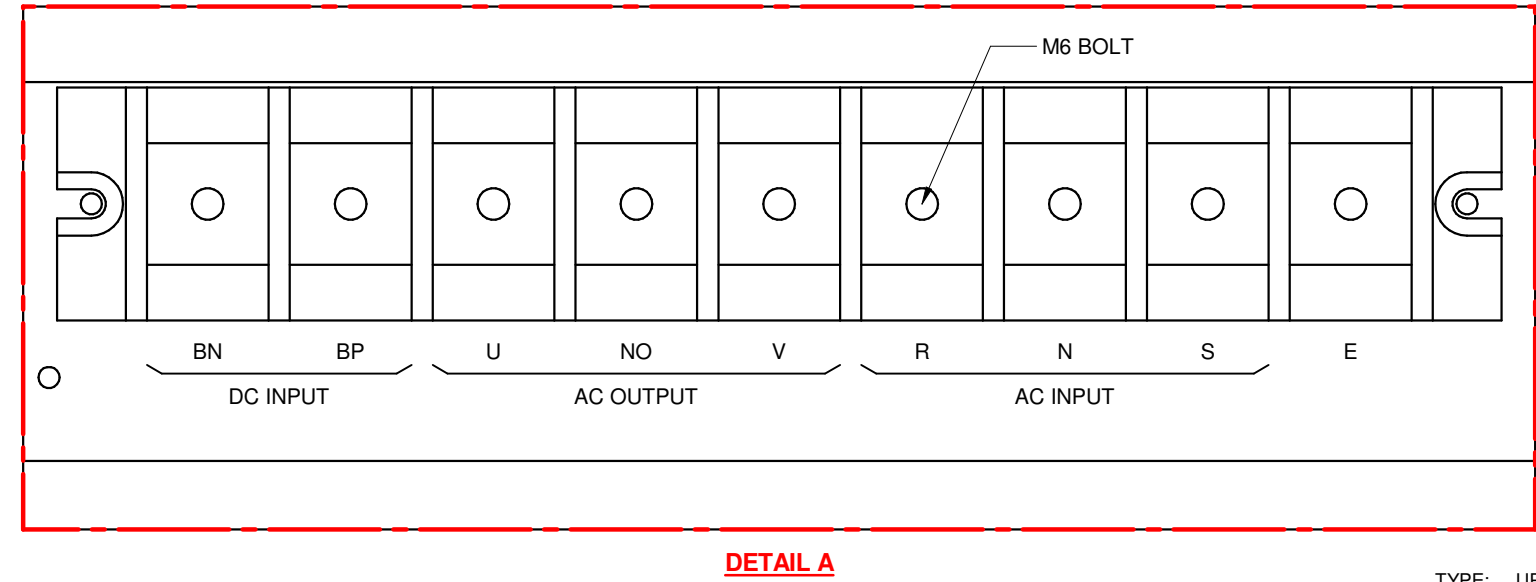
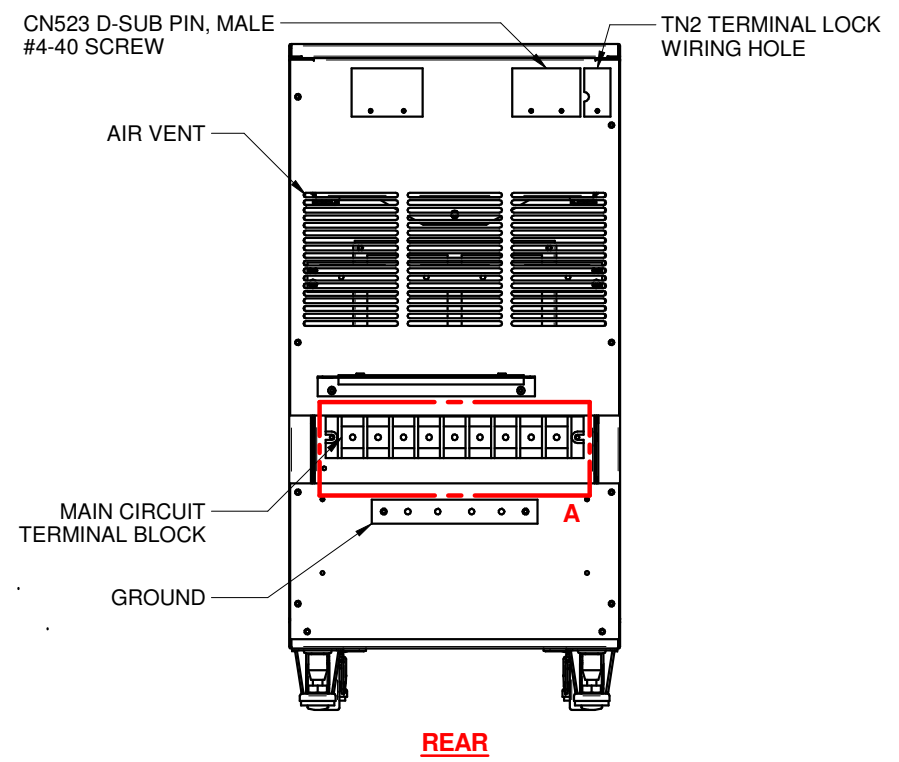
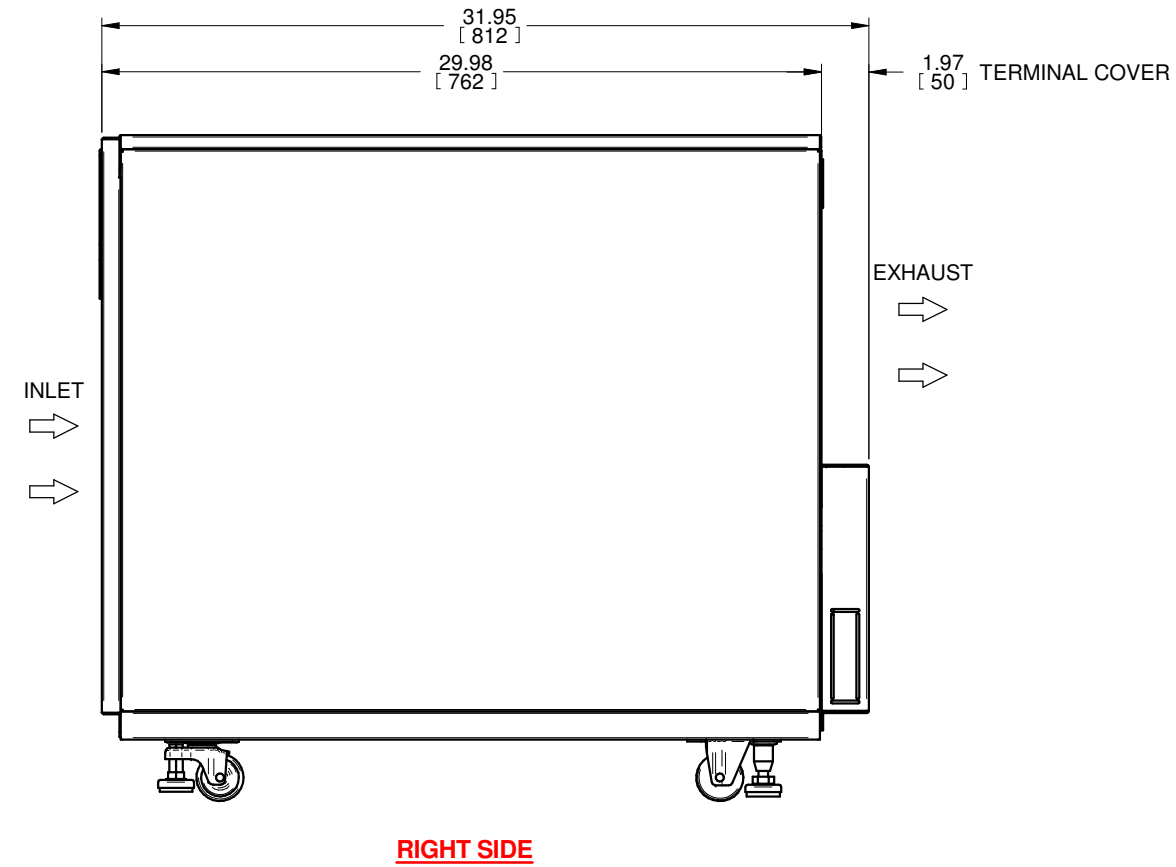
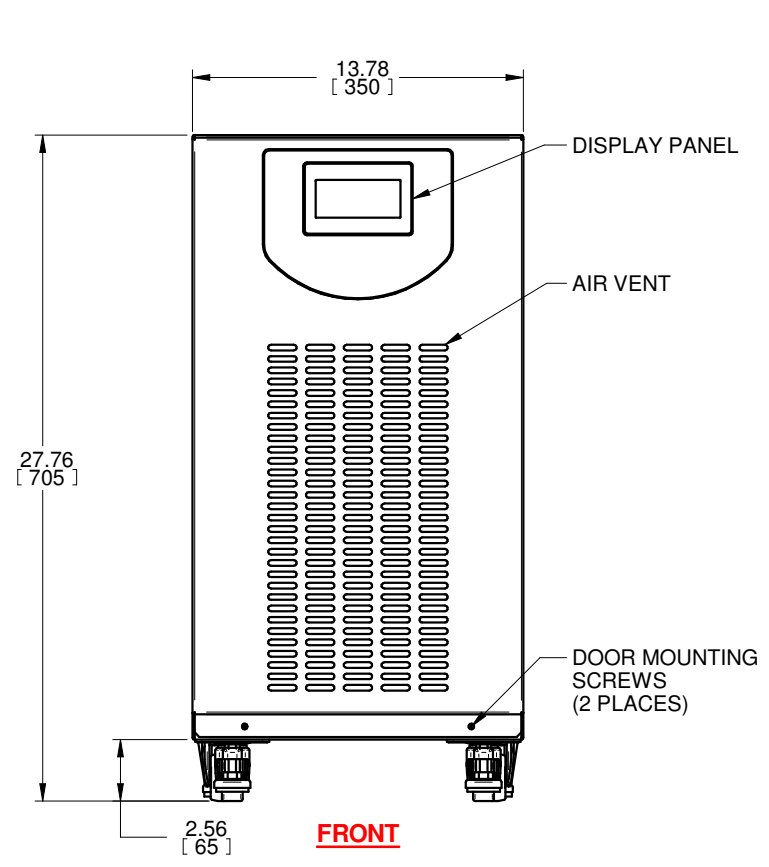
PROJECT LOCATION -

TABLE OF CONTENTS

SHEET NO.	TITLE
01	COVER SHEET
02	7011B 6kVA SALES DRAWING
03	7011B 6kVA SCHEMATICS
04	MINIMUM UNSTALLATION CLEARANCES
05	
06	
07	
08	
09	
10	
11	
12	
13	
14	
15	
16	

REVISIONS
 0. RELEASED FOR CONSTRUCTION
 Z.ZAJAC 1/2/2018

DIMENSIONS IN: IN (MM) (REF)	SCALE - NTS -	DRAFTER Z.ZAJAC	DATE 1/2/18	 mitsubishi ELECTRIC
<small>PROPRIETARY</small> <small>This document is the property of Mitsubishi Electric Power Products, Inc. and contains proprietary and confidential information which must not be duplicated, used or disclosed other than as expressly authorized by Mitsubishi Electric Power Products, Inc.</small>		APPROVED N.RIEMER	DATE 1/2/18	
CORE/REFERENCE DRAWING (IF APPLICABLE)				TITLE 7011B 6kVA SALES DRAWING
DWG. NO. UD-100640S			SHEET 1 OF 4	REV. 0



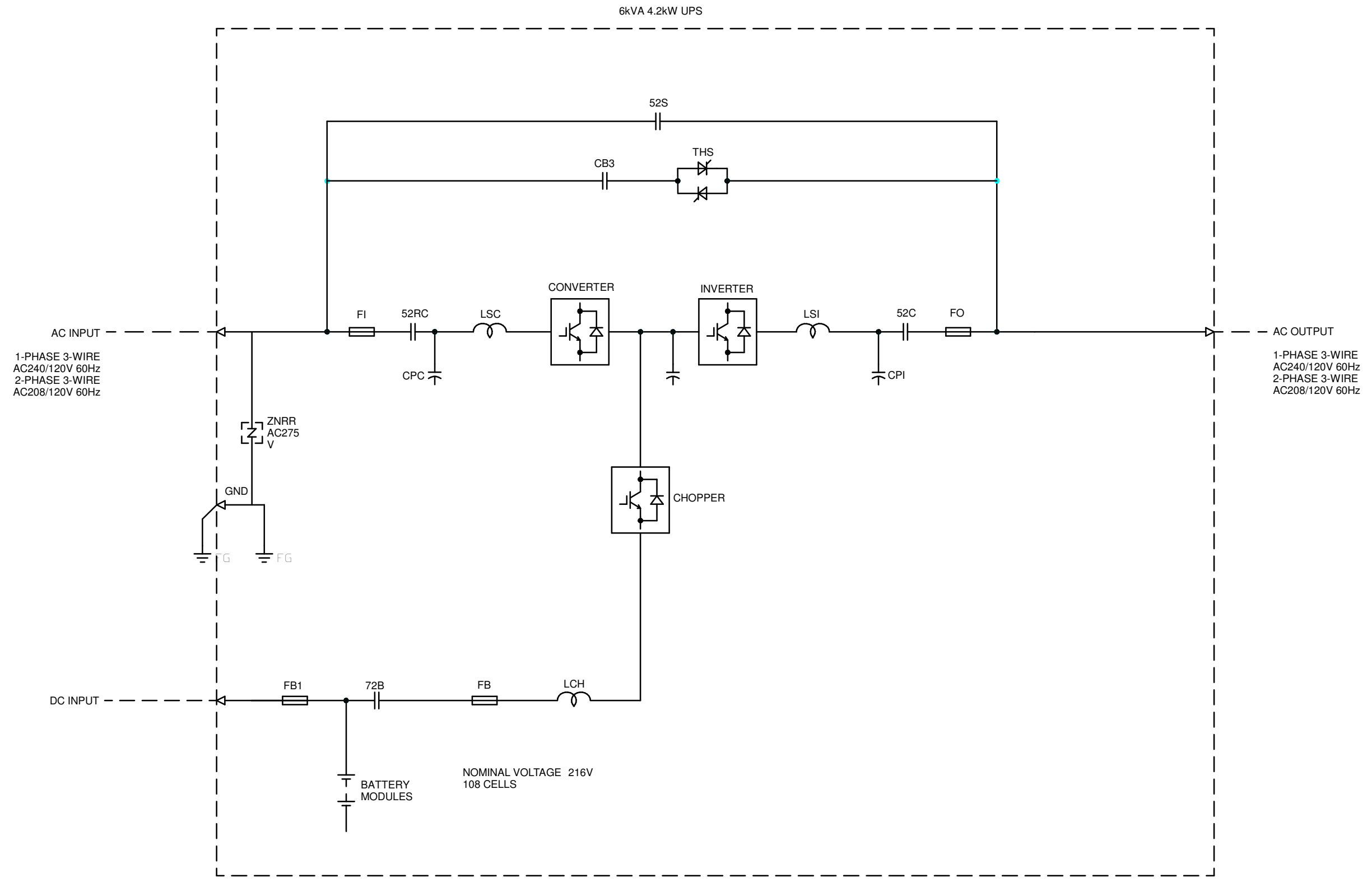
TYPE: UP7011B-A602SU-2
APPROXIMATE WEIGHT: 298LBS (135KG)

- NOTES:
1. DIMENSIONS ARE SHOWN IN INCHES[MILLIMETERS]
2. CABINET SHOULD BE MAINTAINED UPRIGHT WITHIN ±15° DURING HANDLING.
3. REQUIRE AT LEAST 39.4"[1000] CLEARANCE IN FRONT OF UPS FOR MAINTENANCE.
4. REQUIRE AT LEAST 23.6"[600] CLEARANCE IN BACK OF THE UPS FOR MAINTENANCE.

7011B 6KVA SALES DRAWING

REVISIONS
0. RELEASED FOR CONSTRUCTION
Z.ZAJAC 1/2/2018

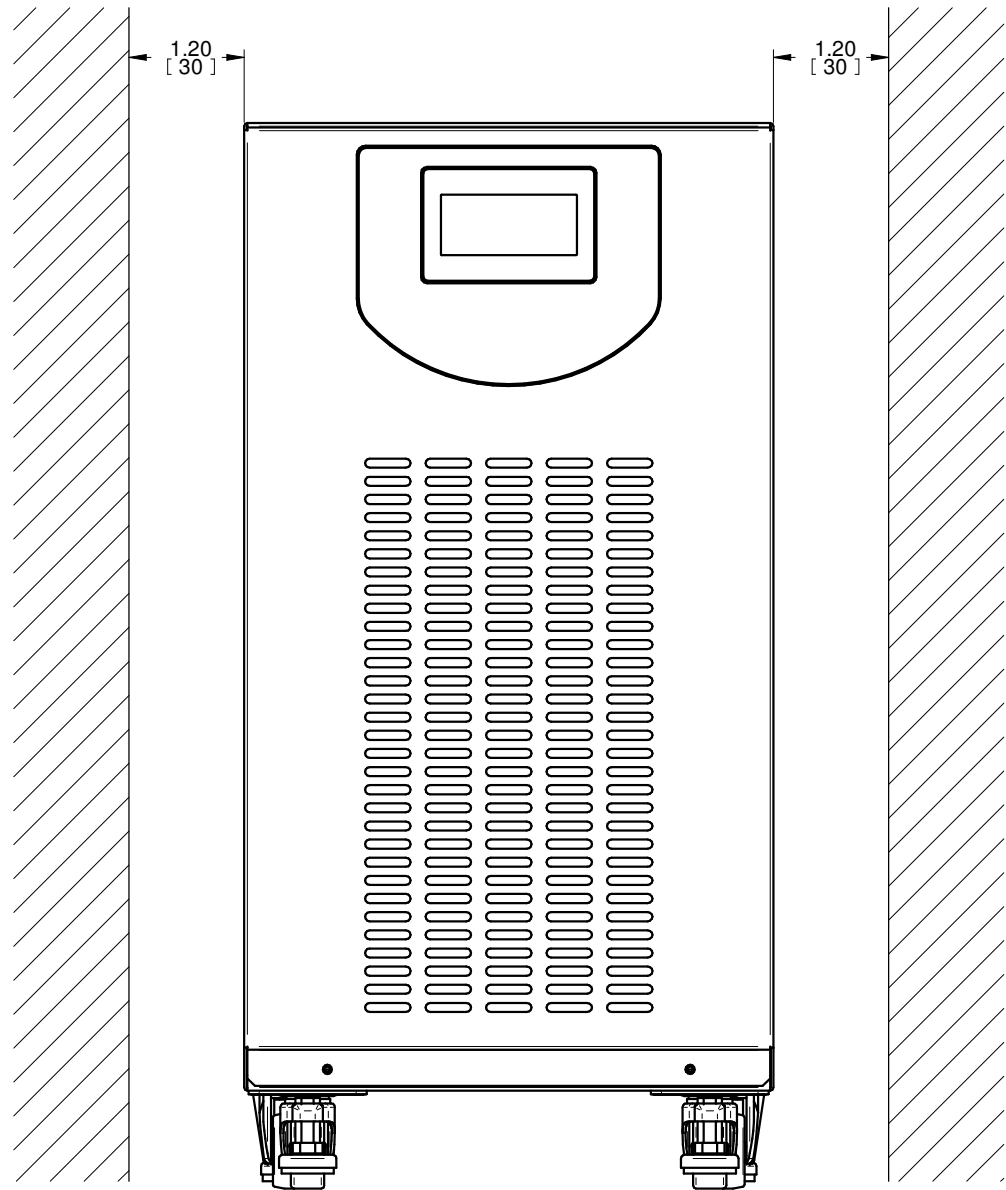
DIMENSIONS IN: IN [MM] (REF)	SCALE - NTS -	DRAFTER Z.ZAJAC	DATE 1/2/18	<p>MITSUBISHI ELECTRIC</p>	
<p>PROPRIETARY This document is the property of Mitsubishi Electric Power Products, Inc. and contains proprietary and confidential information which must not be duplicated, used or disclosed other than as expressly authorized by Mitsubishi Electric Power Products, Inc.</p>		APPROVED N.RIEMER	DATE 1/2/18		TITLE 7011B 6KVA SALES DRAWING
CORE/REFERENCE DRAWING (IF APPLICABLE)		DWG. NO. UD-100640S		SHEET 2 OF 4	REV. 0



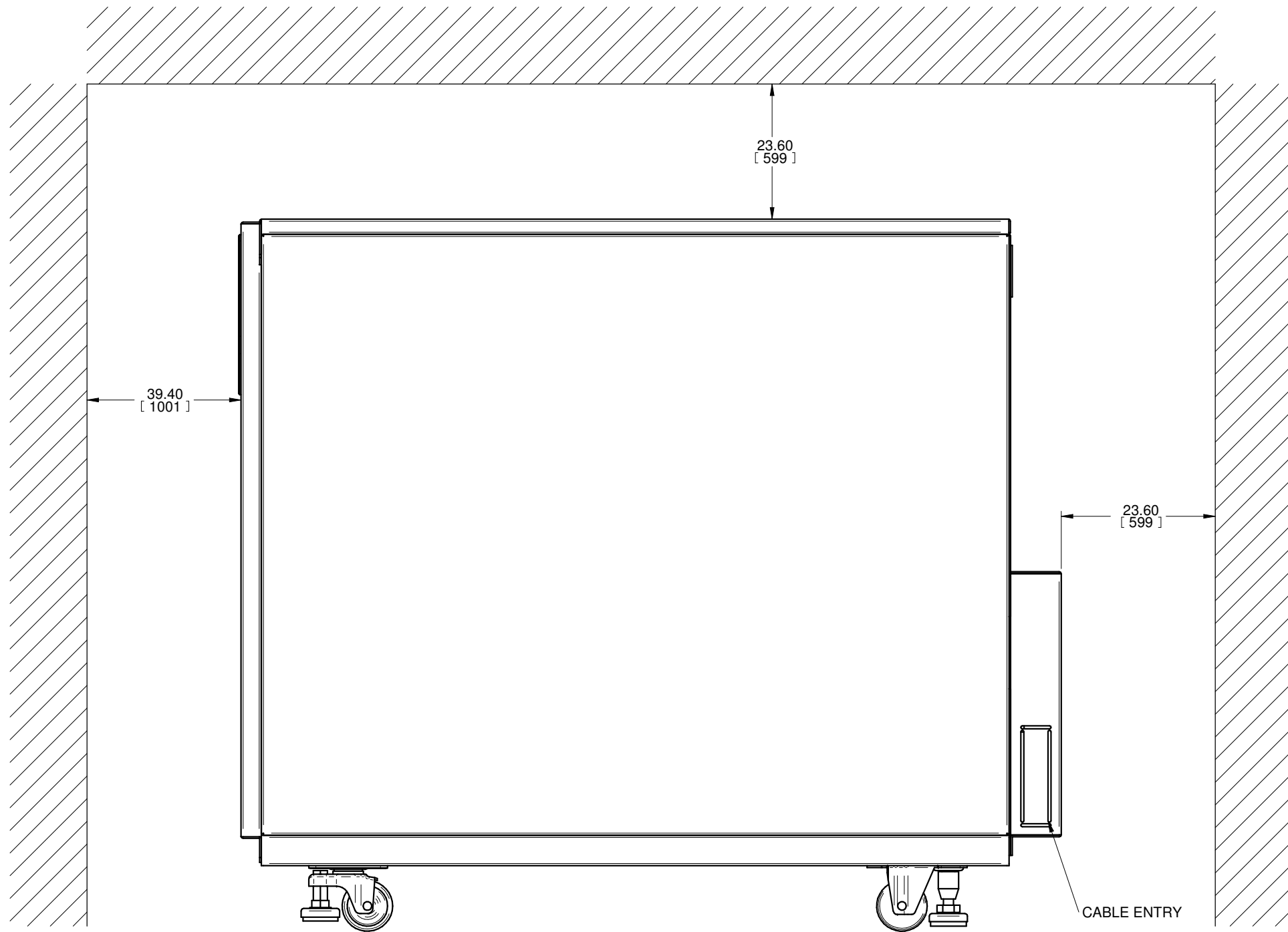
7011B 6kVA SCHEMATIC

REVISIONS
0. RELEASED FOR CONSTRUCTION
Z.ZAJAC 1/2/2018

DIMENSIONS IN: IN (MM) (REF)	SCALE - NTS -	DRAFTER Z.ZAJAC	DATE 1/2/18	MITSUBISHI ELECTRIC
<small>PROPRIETARY</small> <small>This document is the property of Mitsubishi Electric Power Products, Inc. and contains proprietary and confidential information which must not be duplicated, used or disclosed other than as expressly authorized by Mitsubishi Electric Power Products, Inc.</small>		APPROVED N.RIEMER	DATE 1/2/18	
CORE/REFERENCE DRAWING (IF APPLICABLE)		DWG. NO. UD-100640S		SHEET 3 OF 4 REV. 0



FRONT



RIGHT SIDE

MINIMUM INSTALLATION CLEARANCES

REVISIONS
0. RELEASED FOR CONSTRUCTION
Z.ZAJAC 1/2/2018

DIMENSIONS IN: IN [MM] (REF)	SCALE - NTS -	DRAFTER Z.ZAJAC	DATE 1/2/18	MITSUBISHI ELECTRIC
<small>PROPRIETARY</small> <small>This document is the property of Mitsubishi Electric Power Products, Inc. and contains proprietary and confidential information which must not be duplicated, used or disclosed other than as expressly authorized by Mitsubishi Electric Power Products, Inc.</small>		APPROVED N.RIEMER	DATE 1/2/18	
CORE/REFERENCE DRAWING (IF APPLICABLE)				TITLE 7011B 6KVA SALES DRAWING
		DWG. NO. UD-100640S		SHEET 4 OF 4 REV. 0