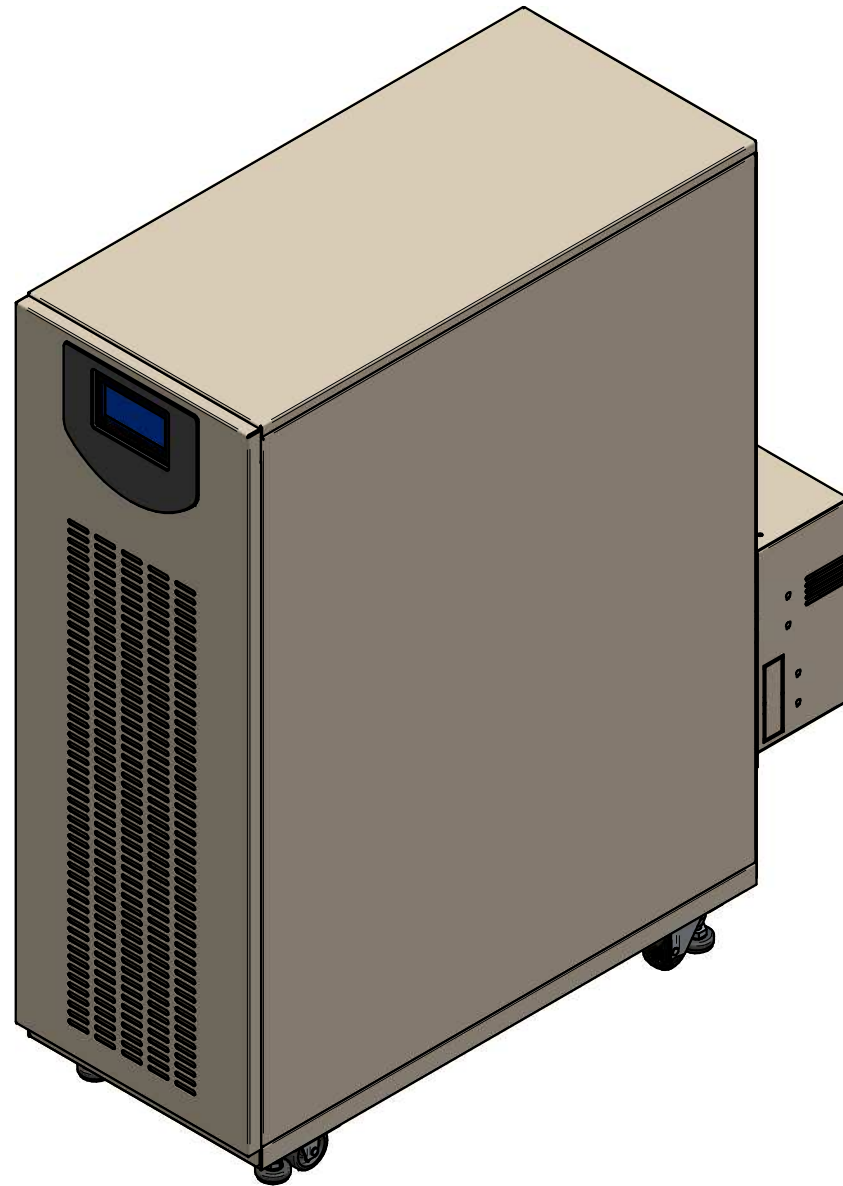
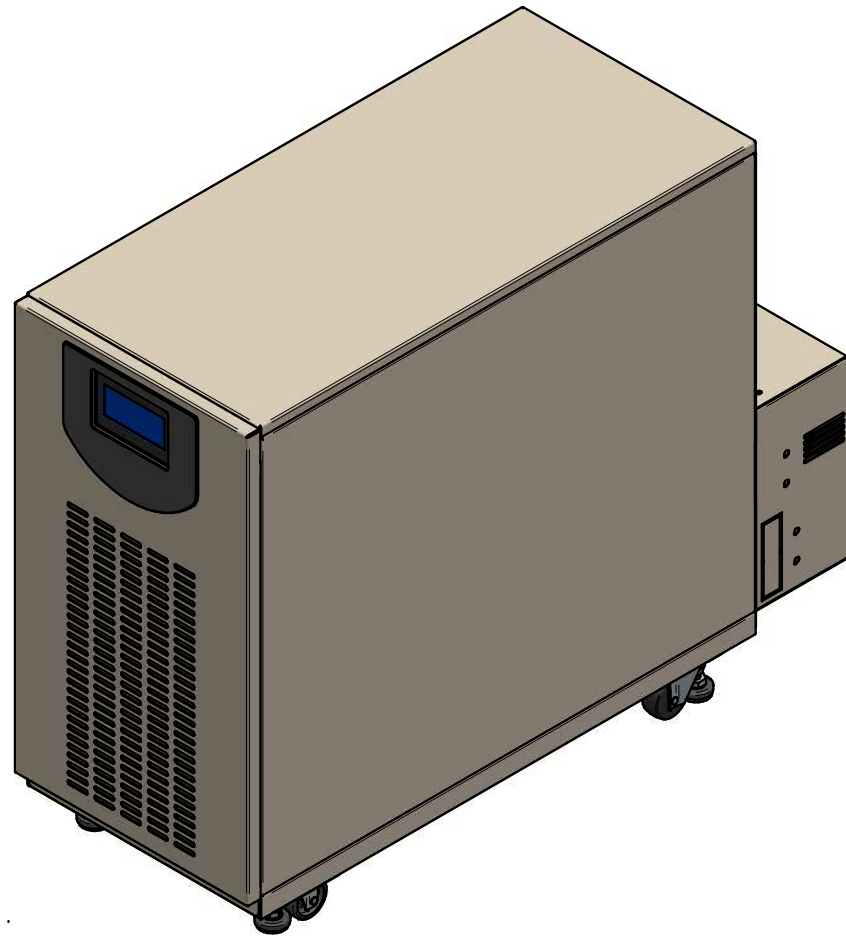




ITEM	QTY	PART NUMBER	DESCRIPTION	MATERIAL	FINISH
1	1	UD-100663	7011B REAR OUTPUT PANEL		N/A
2	1	1100B 6 KVA	1100B 6 KVA UNIT		N/A
3	1	1100B 12 KVA	1100B 12 KVA UNIT		N/A



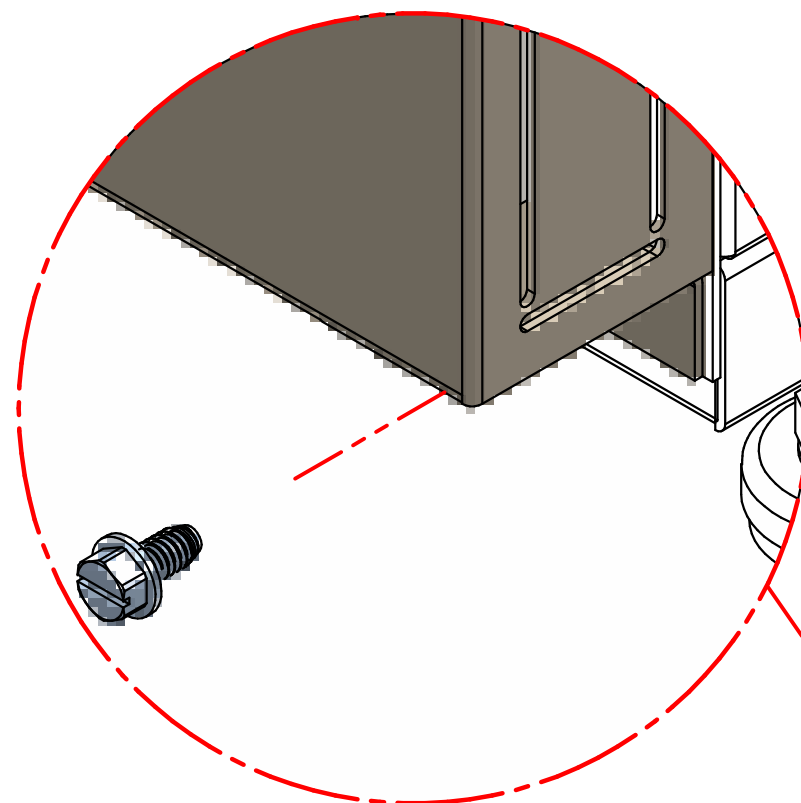
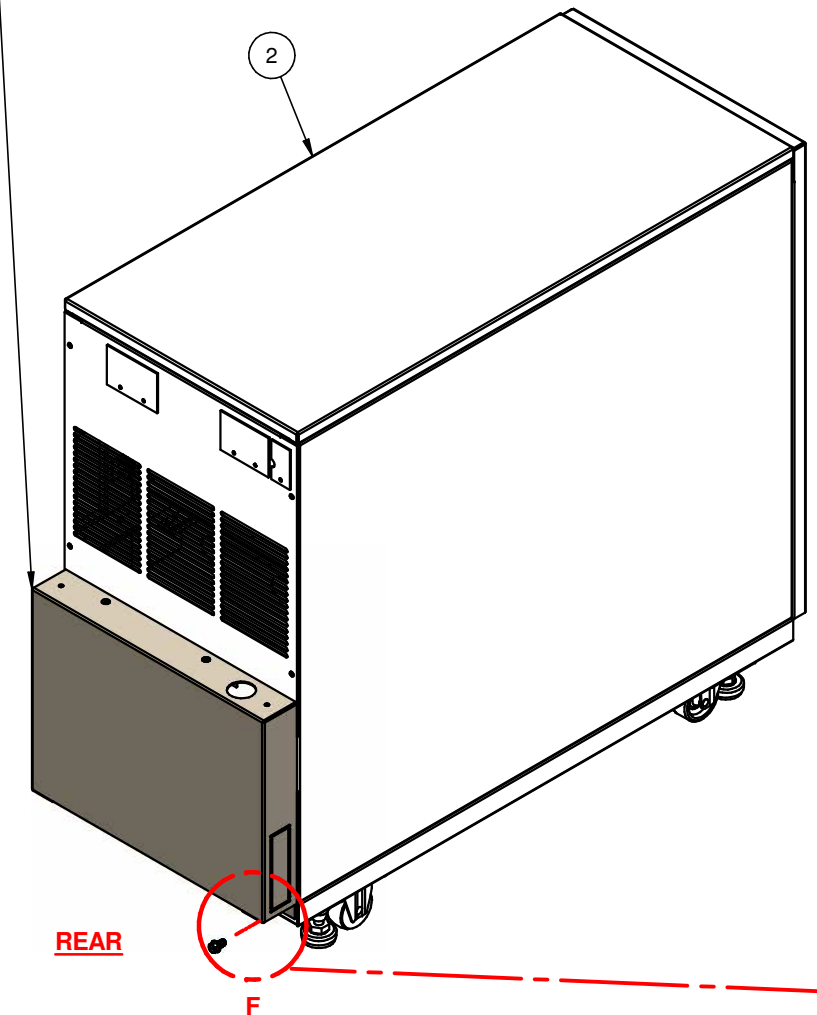
OUTLET PANEL INSTALLATION

REVISIONS

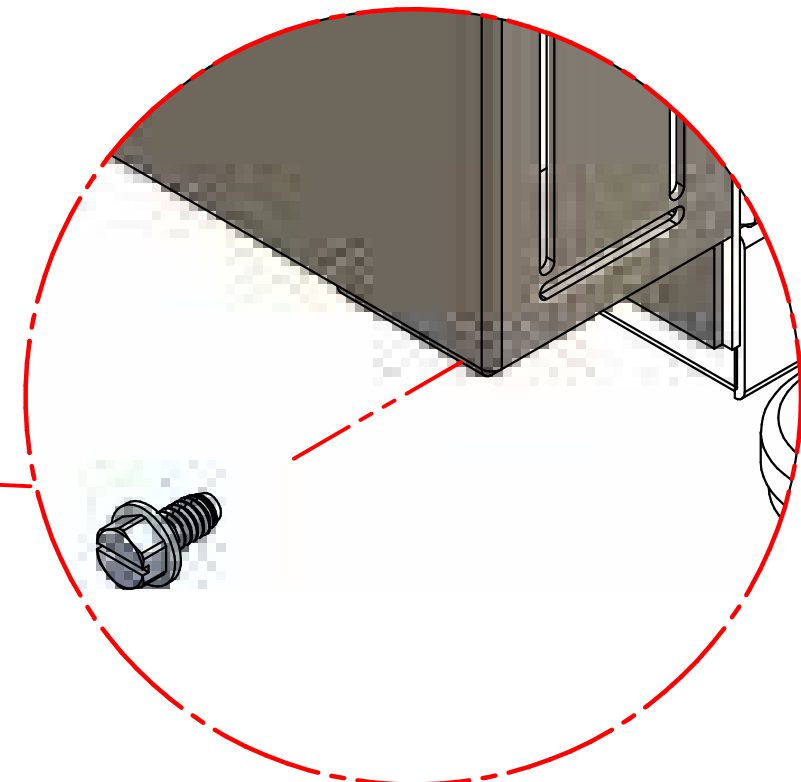
0 RELEASED FOR CONSTRUCTION
N.RIEMER 9/19/2017
1 ADDED CABLE BRACKET REMOVAL
J.PRY-SOCK 1/31/2018

DIMENSIONS IN: IN [MM] (REF)	SCALE - NTS -	DRAFTER J.PRY-SOCK	DATE 9/19/17	 MITSUBISHI ELECTRIC	
<p>PROPRIETARY This document is the property of Mitsubishi Electric Power Products, Inc. and contains proprietary and confidential information which must not be duplicated, used or disclosed other than as expressly authorized by Mitsubishi Electric Power Products, Inc.</p>		APPROVED N.RIEMER	DATE 9/19/17		TITLE 7011B OUTLET PANEL INSTALLATION
CORE/REFERENCE DRAWING (IF APPLICABLE)				DWG. NO. UD-100663I	SHEET 1 OF 10 REV. 1

REMOVE AND DISCARD REAR PANEL, RETAIN HARDWARE.

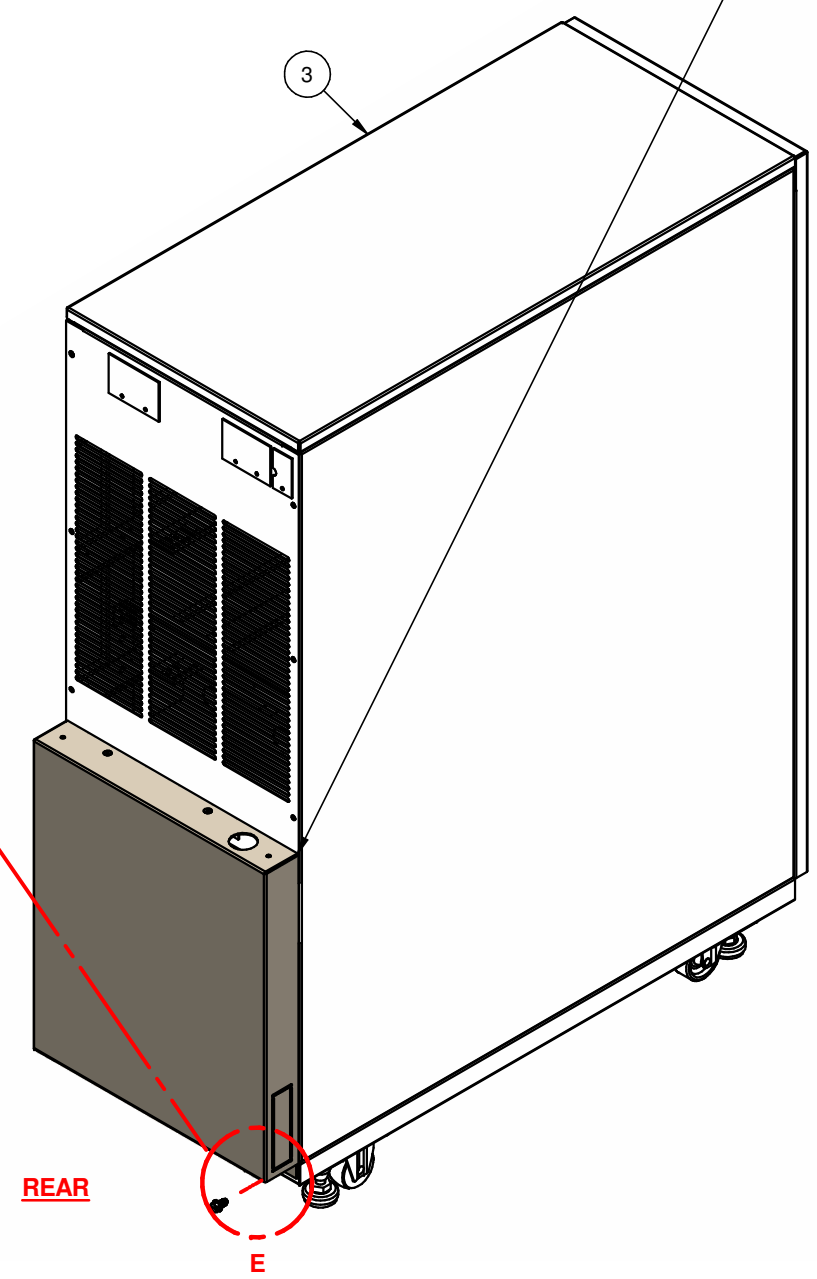


BOTTOM HARDWARE MOUNTING DETAIL E
TYPICAL 2 PLACES



BOTTOM HARDWARE MOUNTING DETAIL F
TYPICAL 2 PLACES

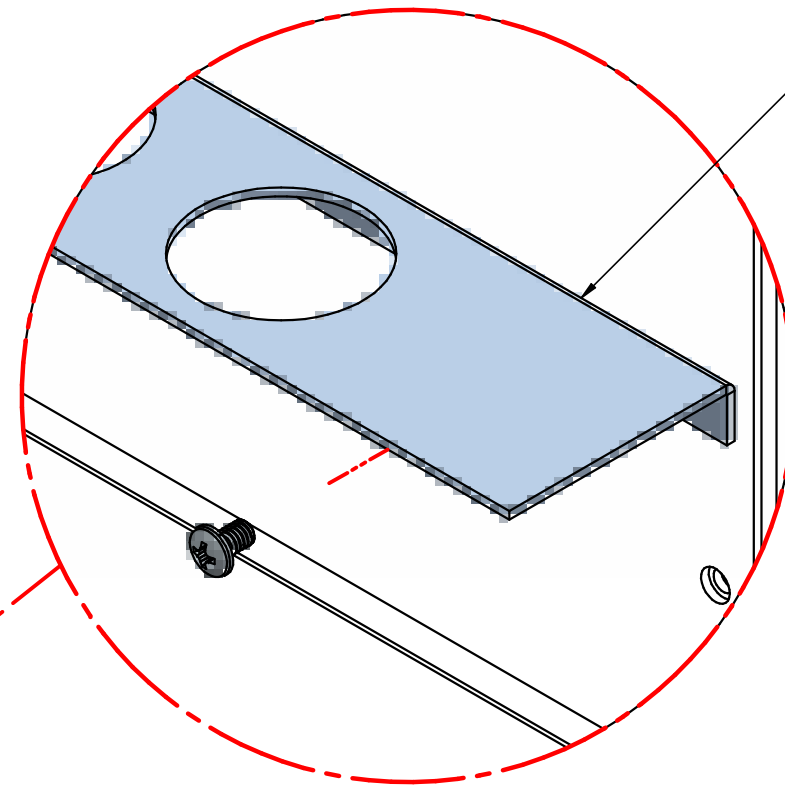
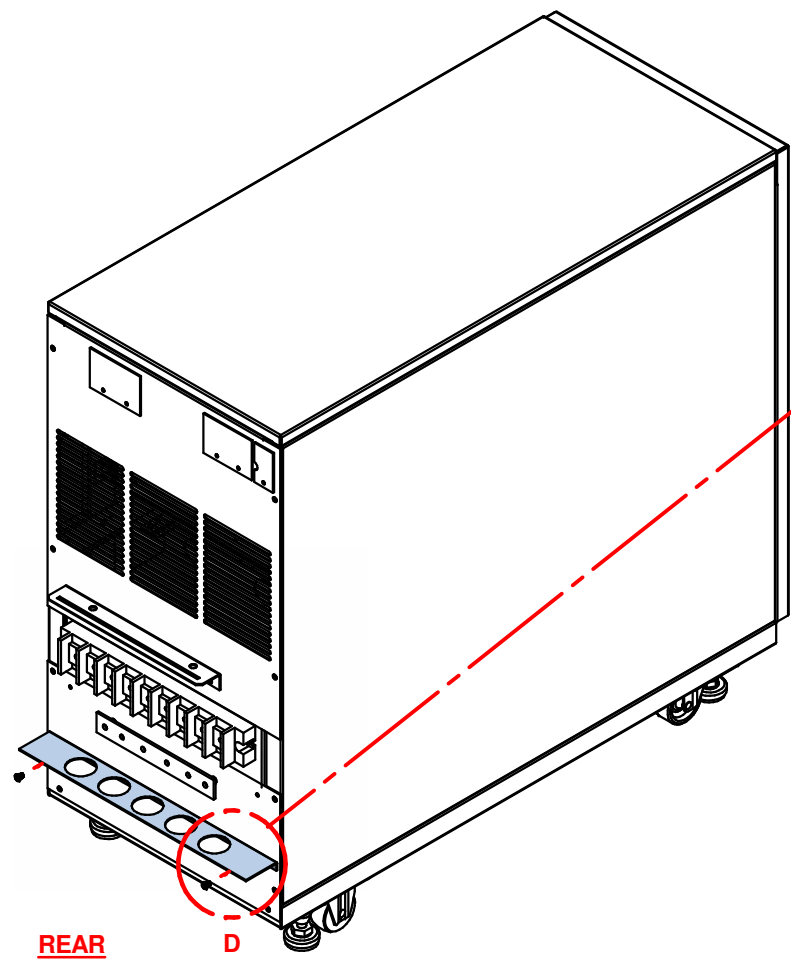
REMOVE AND DISCARD REAR PANEL, RETAIN HARDWARE.



REAR PANEL REMOVAL

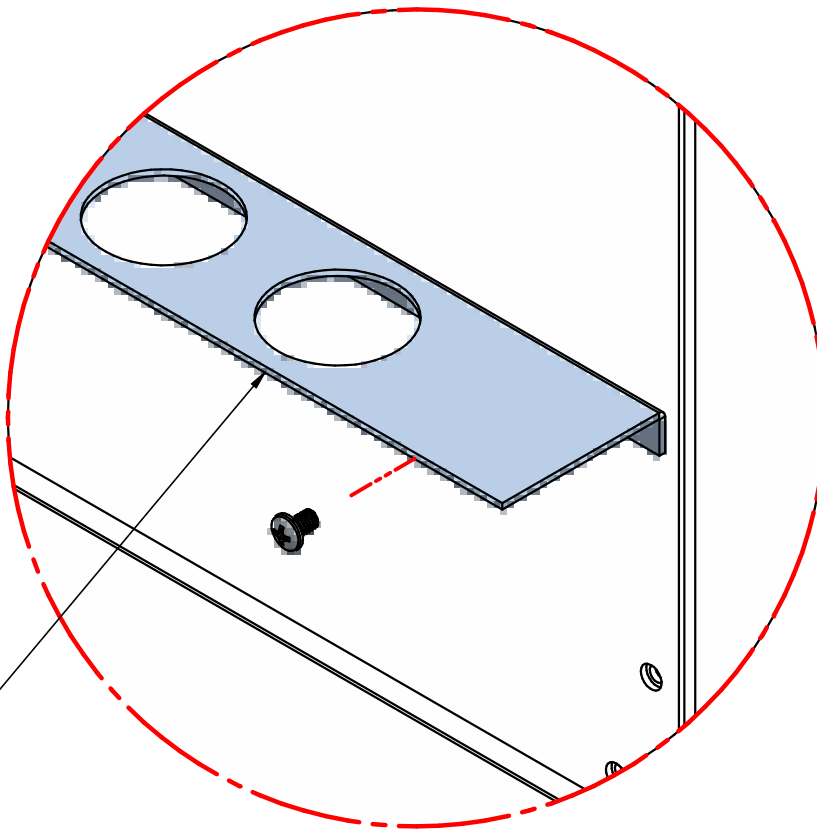
REVISIONS	0 RELEASED FOR CONSTRUCTION N.RIEMER 9/19/2017
	1 ADDED CABLE BRACKET REMOVAL J.PRY-SOCK 1/31/2018

DIMENSIONS IN: IN [MM] (REF)	SCALE - NTS -	DRAFTER J.PRY-SOCK	DATE 9/19/17	MITSUBISHI ELECTRIC	
<p>PROPRIETARY This document is the property of Mitsubishi Electric Power Products, Inc. and contains proprietary and confidential information which must not be duplicated, used or disclosed other than as expressly authorized by Mitsubishi Electric Power Products, Inc.</p>		APPROVED N.RIEMER	DATE 9/19/17		TITLE 7011B OUTLET PANEL INSTALLATION
CORE/REFERENCE DRAWING (IF APPLICABLE)				DWG. NO. UD-100663I	SHEET 2 OF 10 REV. 1



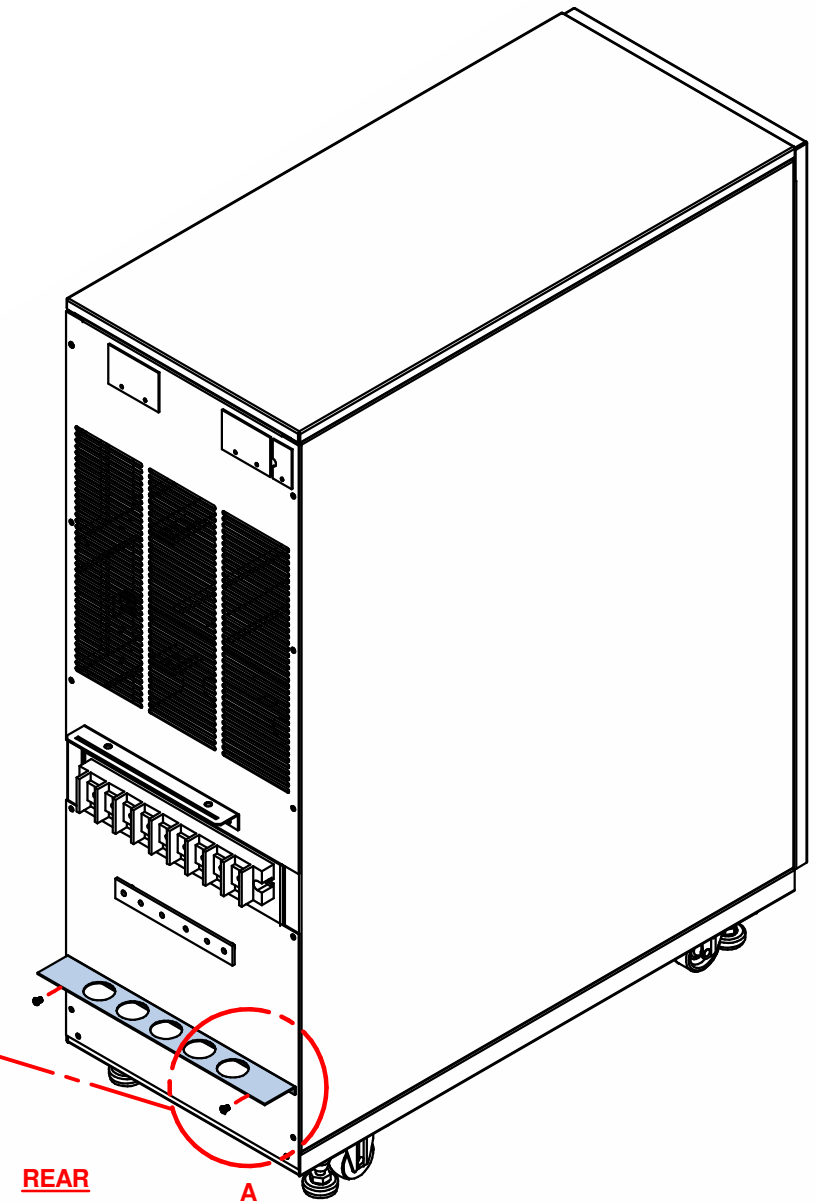
CABLE BRACKET HARDWARE DETAIL D
TYPICAL 2 PLACES

REMOVE AND DISCARD CABLE BRACKET AND HARDWARE.



CABLE BRACKET HARDWARE DETAIL A
TYPICAL 2 PLACES

REMOVE AND DISCARD CABLE BRACKET AND HARDWARE.



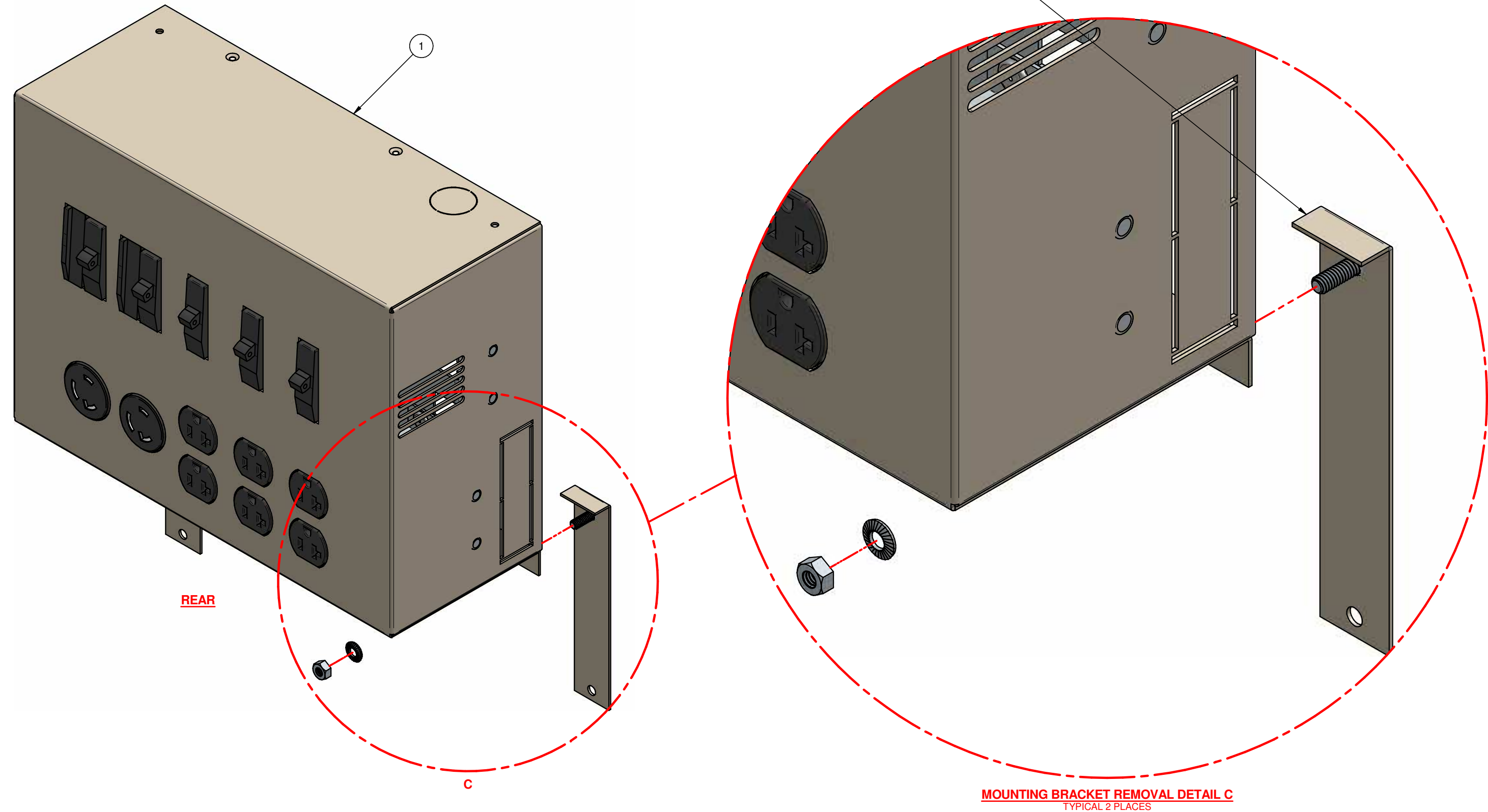
CABLE BRACKET REMOVAL

REVISIONS

0 RELEASED FOR CONSTRUCTION
N.RIEMER 9/19/2017
1 ADDED CABLE BRACKET REMOVAL
J.PRY-SOCK 1/31/2018

DIMENSIONS IN: IN [MM] (REF)	SCALE - NTS -	DRAFTER J.PRY-SOCK	DATE 9/19/17	<p>MITSUBISHI ELECTRIC</p>	
<p>PROPRIETARY This document is the property of Mitsubishi Electric Power Products, Inc. and contains proprietary and confidential information which must not be duplicated, used or disclosed other than as expressly authorized by Mitsubishi Electric Power Products, Inc.</p>		APPROVED N.RIEMER	DATE 9/19/17		TITLE 7011B OUTLET PANEL INSTALLATION
CORE/REFERENCE DRAWING (IF APPLICABLE)				DWG. NO. UD-100663I	SHEET 3 OF 10 REV. 1

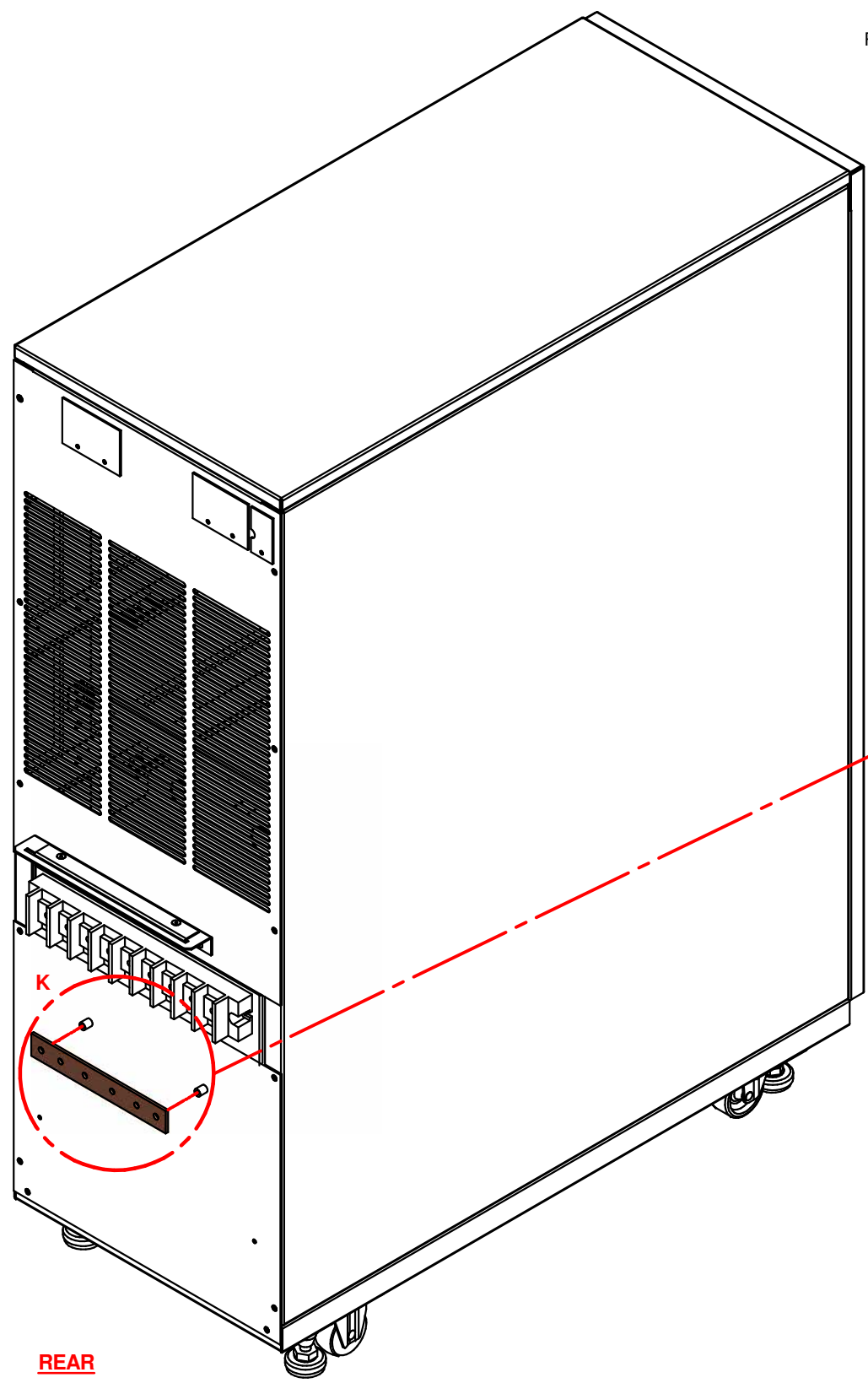
REMOVE AND DISCARD COMPATABILITY BRACKET IF INSTALLING ON THE 12 KVA UNIT



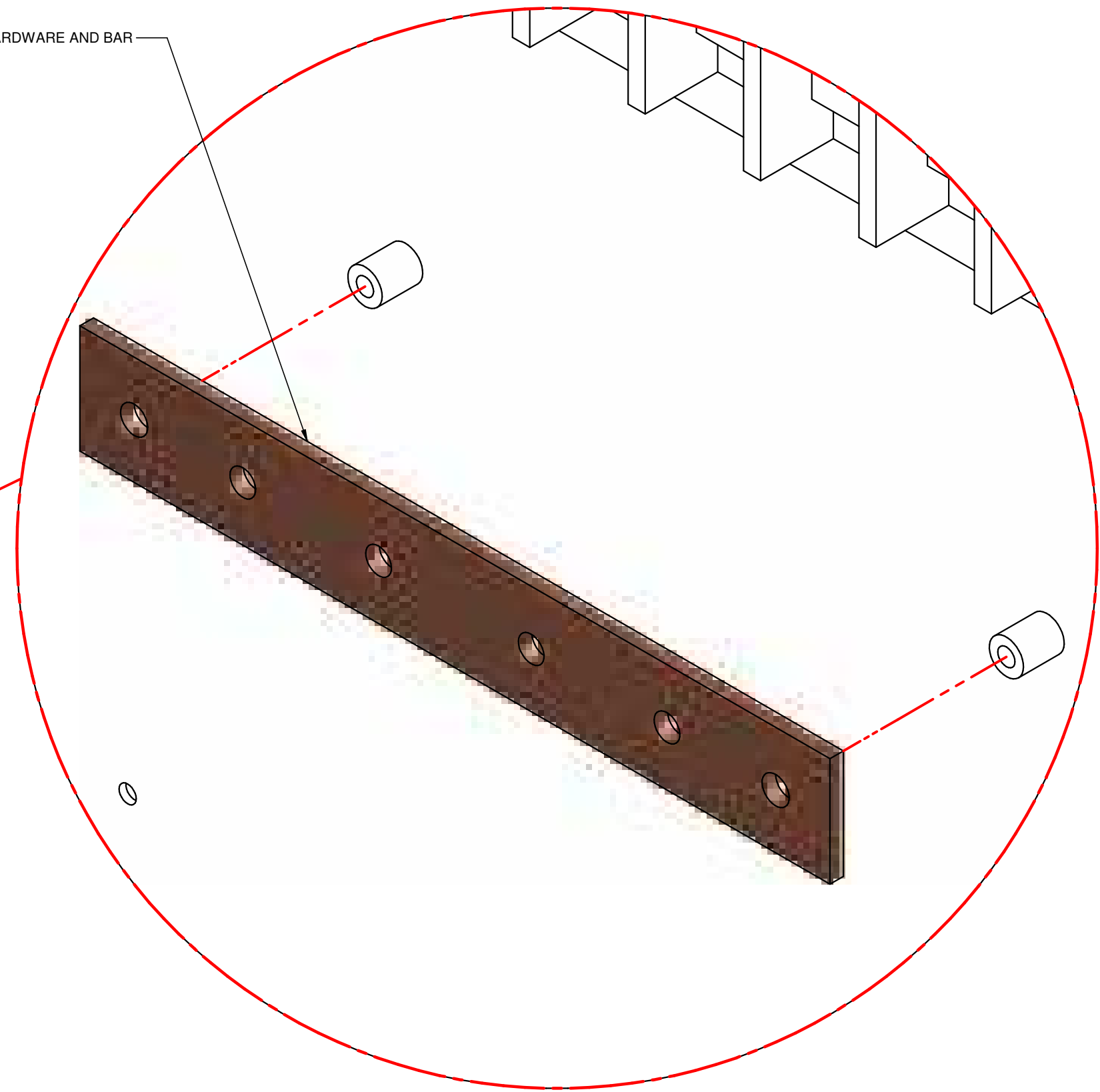
**ONLY FOLLOW THIS STEP ON THE 12 KVA
COMPATIBILITY BRACKET REMOVAL**

REVISIONS	0 RELEASED FOR CONSTRUCTION N.RIEMER 9/19/2017
	1 ADDED CABLE BRACKET REMOVAL J.PRY-SOCK 1/31/2018

DIMENSIONS IN: IN [MM] (REF)	SCALE - NTS -	DRAFTER J.PRY-SOCK	DATE 9/19/17	MITSUBISHI ELECTRIC	
<small>PROPRIETARY</small> <small>This document is the property of Mitsubishi Electric Power Products, Inc. and contains proprietary and confidential information which must not be duplicated, used or disclosed other than as expressly authorized by Mitsubishi Electric Power Products, Inc.</small>		APPROVED N.RIEMER	DATE 9/19/17		TITLE 7011B OUTLET PANEL INSTALLATION
CORE/REFERENCE DRAWING (IF APPLICABLE)				DWG. NO. UD-100663I	SHEET 4 OF 10 REV. 1



REMOVE GROUND BAR RETAIN HARDWARE AND BAR



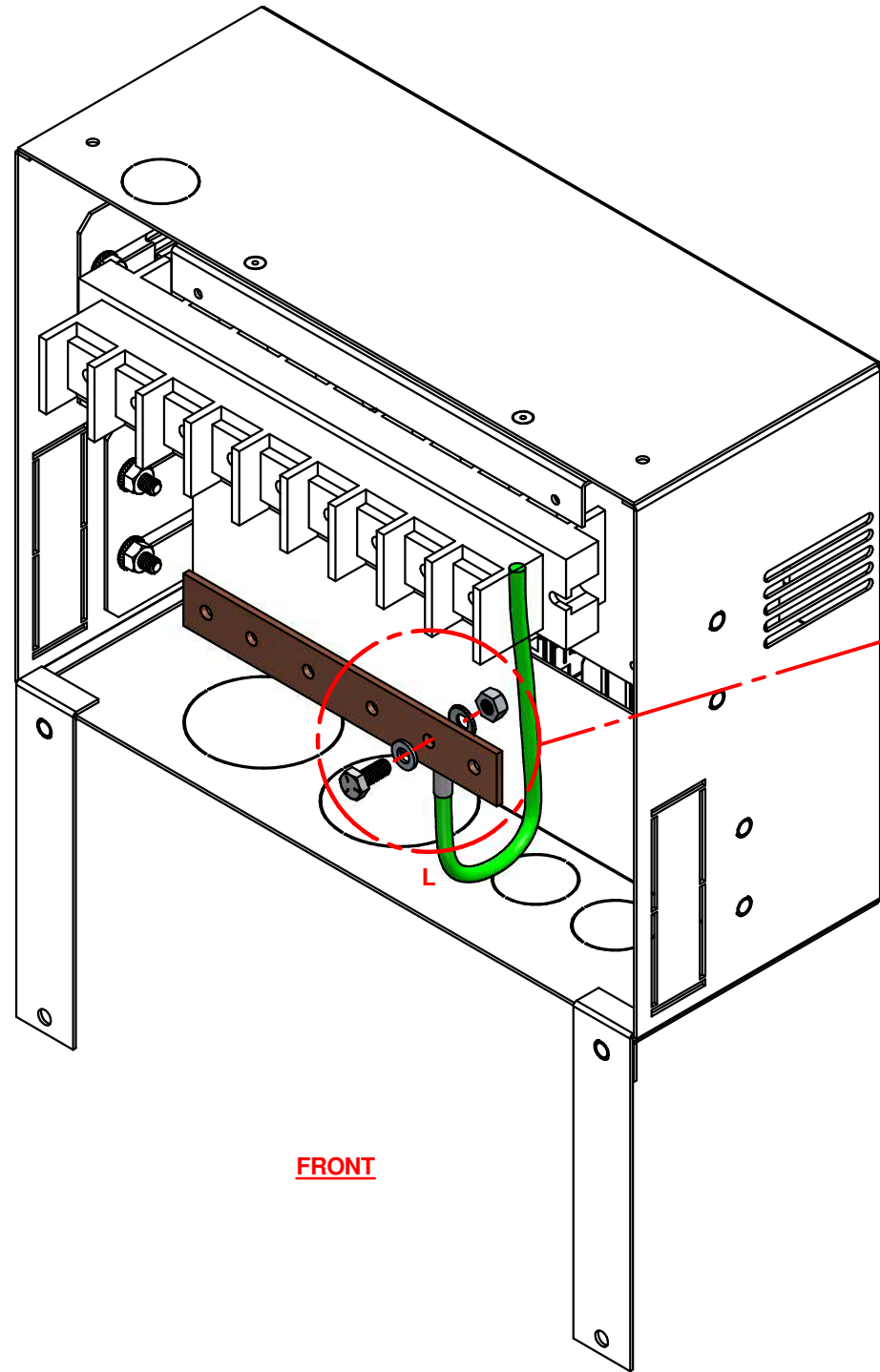
GROUND BAR REMOVED DETAIL K

GROUND BAR REMOVAL

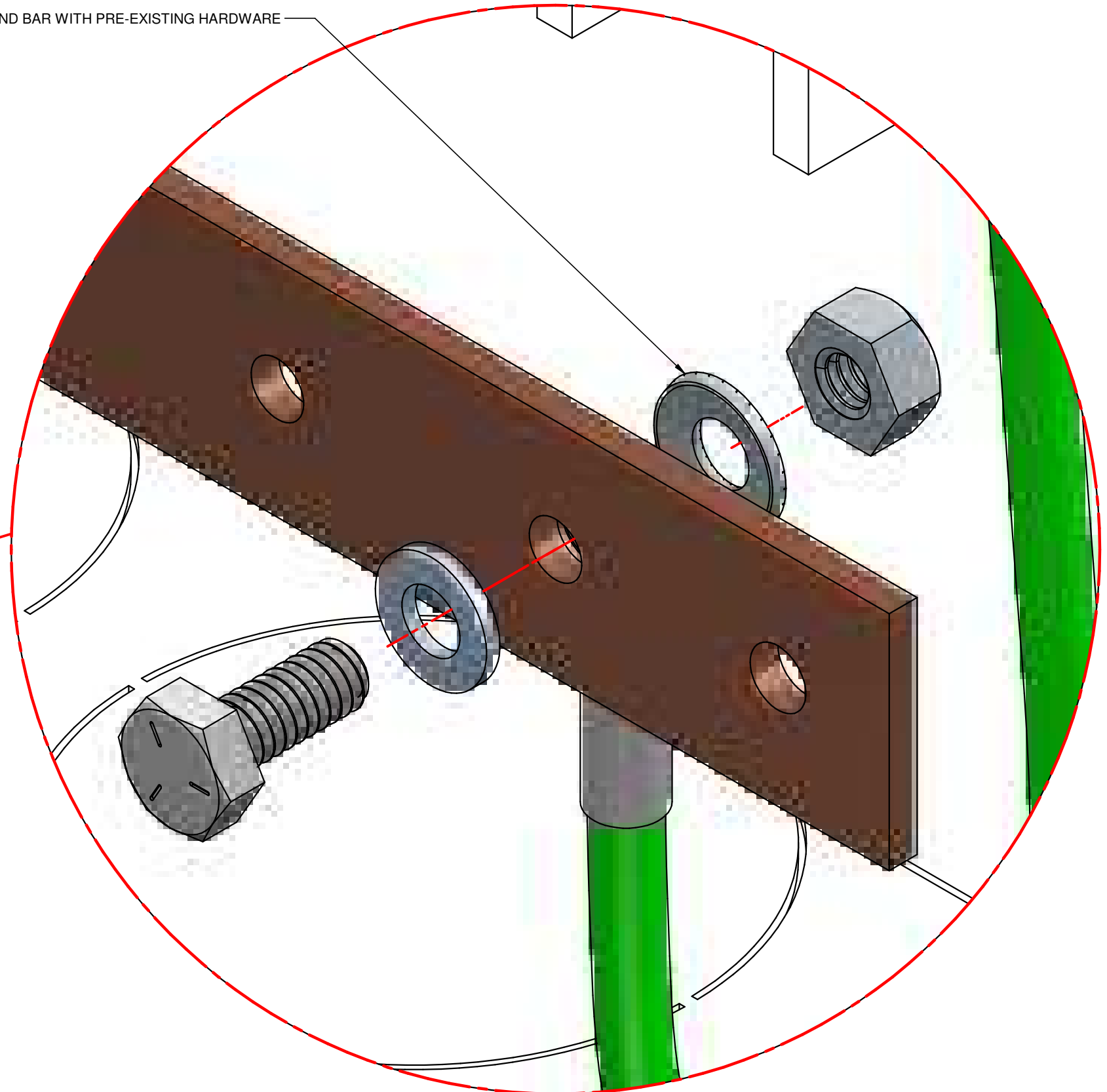
REVISIONS	0 RELEASED FOR CONSTRUCTION N.RIEMER 9/19/2017
	1 ADDED CABLE BRACKET REMOVAL J.PRY-SOCK 1/31/2018

DIMENSIONS IN: IN [MM] (REF)	SCALE - NTS -	DRAFTER J.PRY-SOCK	DATE 9/19/17	<p>MITSUBISHI ELECTRIC</p>	
<p>PROPRIETARY This document is the property of Mitsubishi Electric Power Products, Inc. and contains proprietary and confidential information which must not be duplicated, used or disclosed other than as expressly authorized by Mitsubishi Electric Power Products, Inc.</p>		APPROVED N.RIEMER	DATE 9/19/17		TITLE 7011B OUTLET PANEL INSTALLATION
CORE/REFERENCE DRAWING (IF APPLICABLE)				DWG. NO. UD-100663I	SHEET 5 OF 10 REV. 1

ATTACH TO GROUND BAR WITH PRE-EXISTING HARDWARE



FRONT



GROUND WIRING INSTALLATION DETAIL L

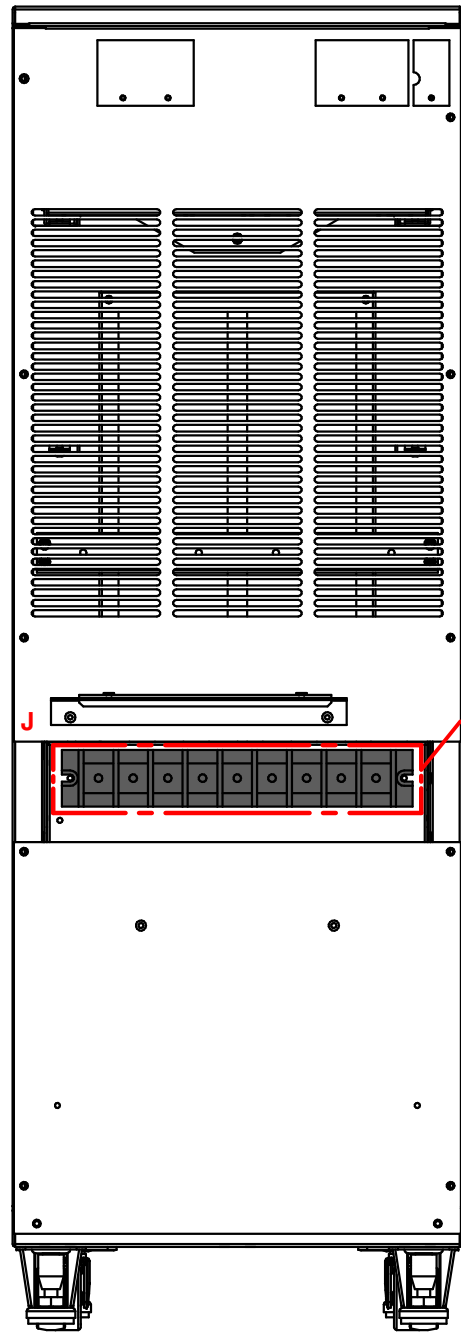
GROUND WIRE INSTALLATION

- NOTES:**
 1. REFERENCE WIRING SCHEMATIC UD-100663E FOR WIRE TERMINATIONS.
 2. APPLY EDGE GUARD TO ALL SHARP EDGES TO PROTECT WIRE HARNESSSES, WIRES, AND CABLES.

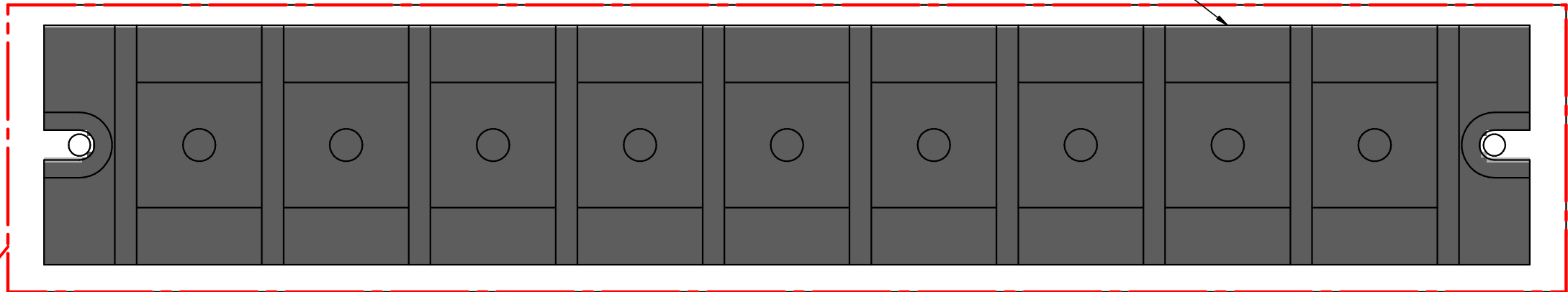
REVISIONS	0 RELEASED FOR CONSTRUCTION N.RIEMER 9/19/2017
	1 ADDED CABLE BRACKET REMOVAL J.PRY-SOCK 1/31/2018

DIMENSIONS IN: IN [MM] (REF)	SCALE - NTS -	DRAFTER J.PRY-SOCK	DATE 9/19/17	<p>MITSUBISHI ELECTRIC</p>
<p>PROPRIETARY This document is the property of Mitsubishi Electric Power Products, Inc. and contains proprietary and confidential information which must not be duplicated, used or disclosed other than as expressly authorized by Mitsubishi Electric Power Products, Inc.</p>		APPROVED N.RIEMER	DATE 9/19/17	
CORE/REFERENCE DRAWING (IF APPLICABLE)				TITLE 7011B OUTLET PANEL INSTALLATION
		DWG. NO. UD-100663I		SHEET 6 OF 10 REV. 1

INSTALL WIRES TO TERMINAL BLOCK PRIOR TO MOUNTING BOX



REAR
PARTS HIDDEN FOR CLARITY



WIRING INSTALLATION DETAIL J

TERMINAL BLOCK WIRE INSTALLATION

NOTES:

1. REFERENCE WIRING SCHEMATIC UD-100663E FOR WIRE TERMINATIONS.
2. APPLY EDGE GUARD TO ALL SHARP EDGES TO PROTECT WIRE HARNESSSES, WIRES, AND CABLES.

REVISIONS

0 RELEASED FOR CONSTRUCTION
N.RIEMER 9/19/2017
1 ADDED CABLE BRACKET REMOVAL
J.PRY-SOCK 1/31/2018

DIMENSIONS IN: IN (MM) (REF) SCALE - NTS -
DRAFTER J.PRY-SOCK DATE 9/19/17
APPROVED N.RIEMER DATE 9/19/17

PROPRIETARY
This document is the property of Mitsubishi Electric Power Products, Inc. and contains proprietary and confidential information which must not be duplicated, used or disclosed other than as expressly authorized by Mitsubishi Electric Power Products, Inc.



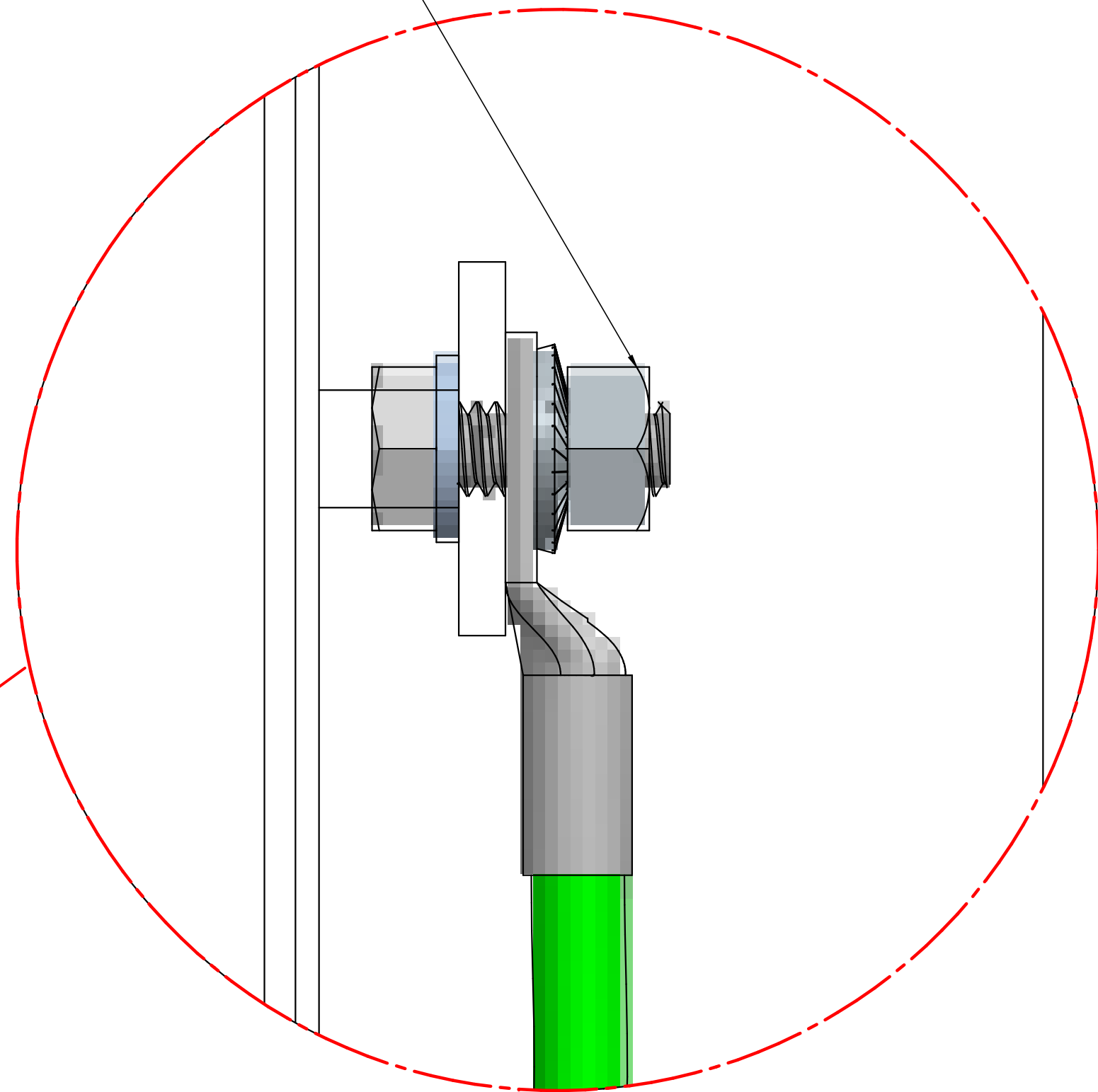
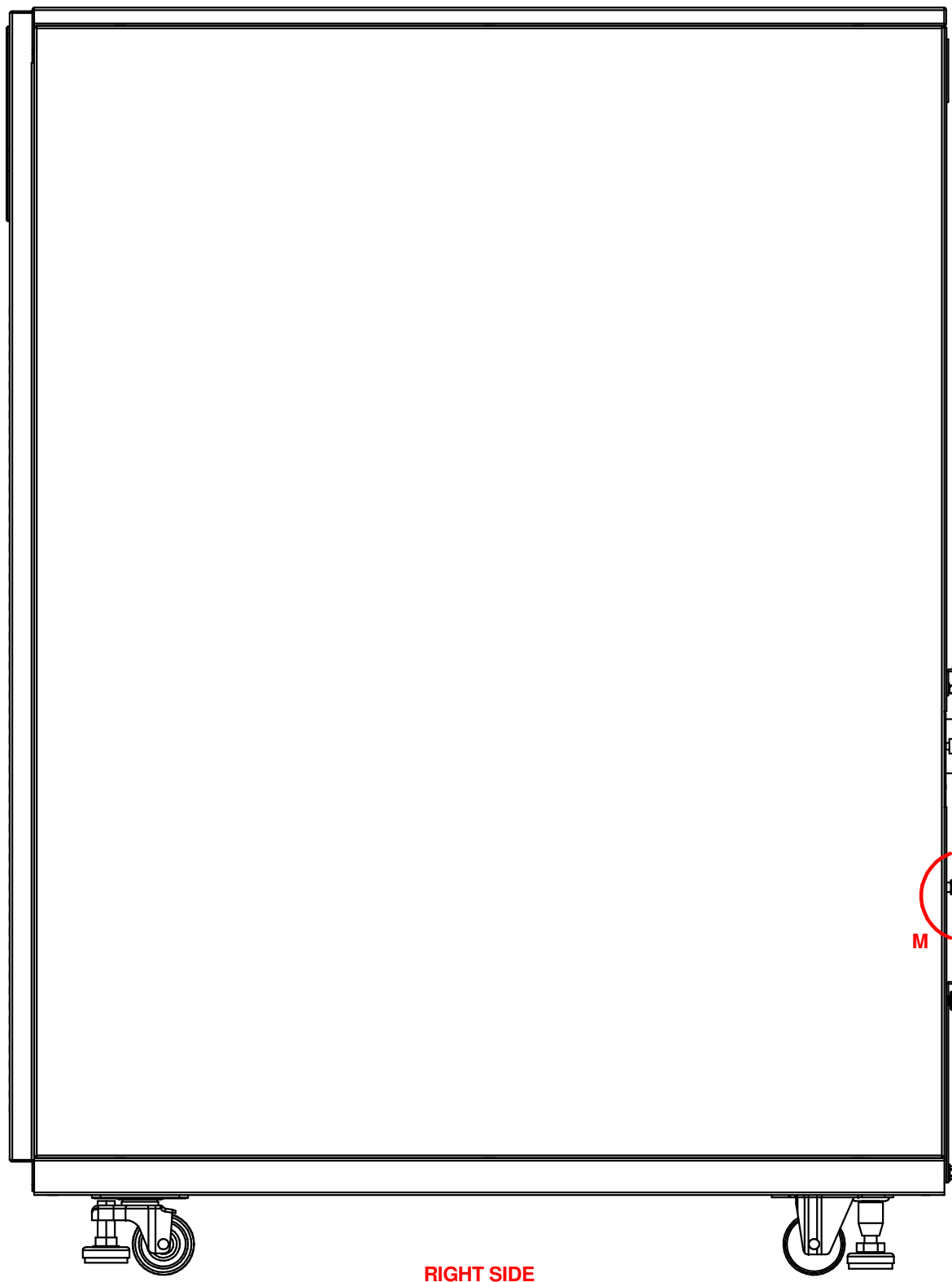
CORE/REFERENCE DRAWING (IF APPLICABLE)



TITLE 7011B
OUTLET PANEL INSTALLATION

DWG. NO. UD-100663I SHEET 7 OF 10 REV. 1

REINSTALL GROUND BUSS BEFORE BOX IS MOUNTED NOTE OREINTATION OF LUG HARDWARE



GROUND BAR REINSTALL

NOTES:

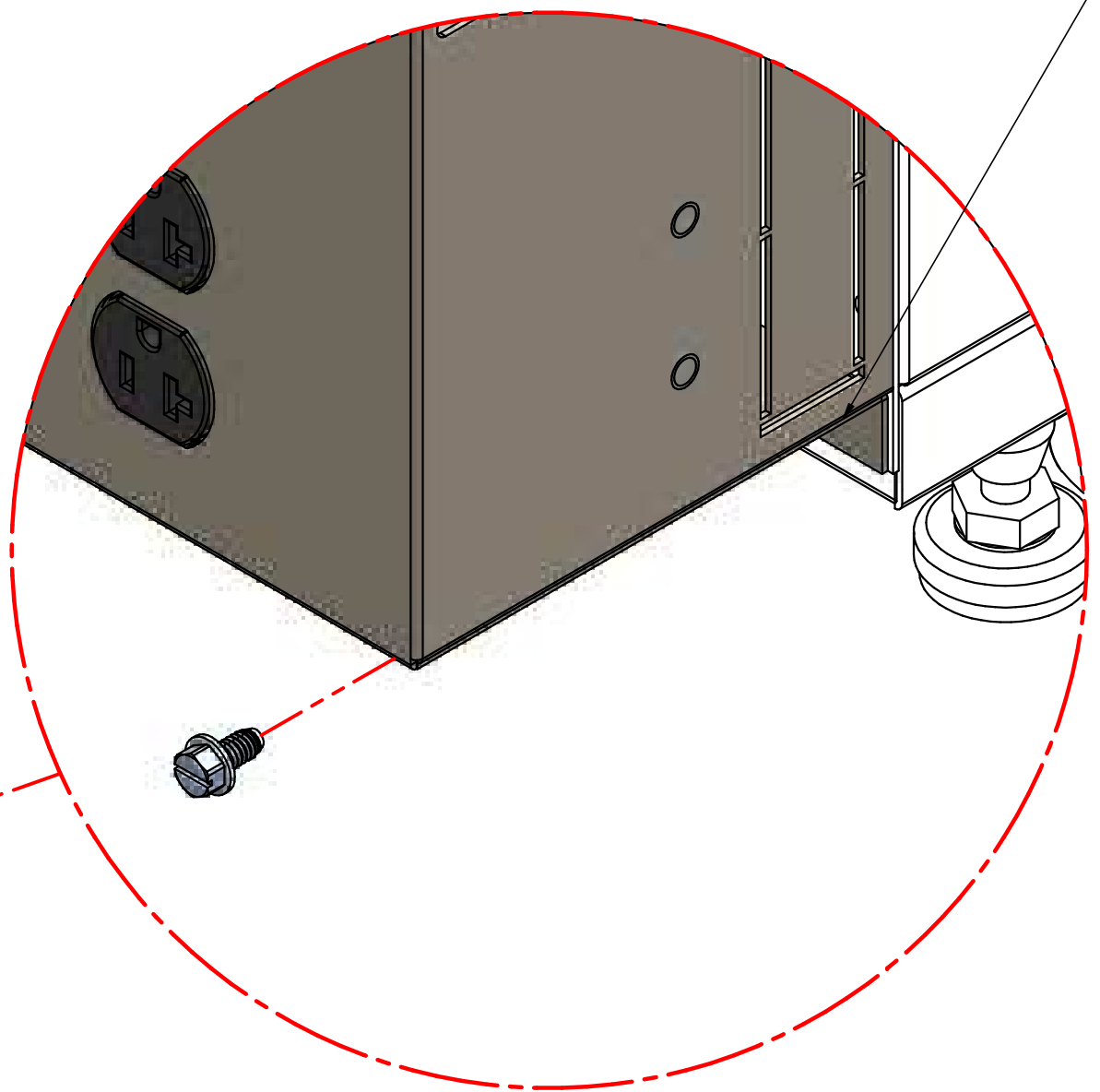
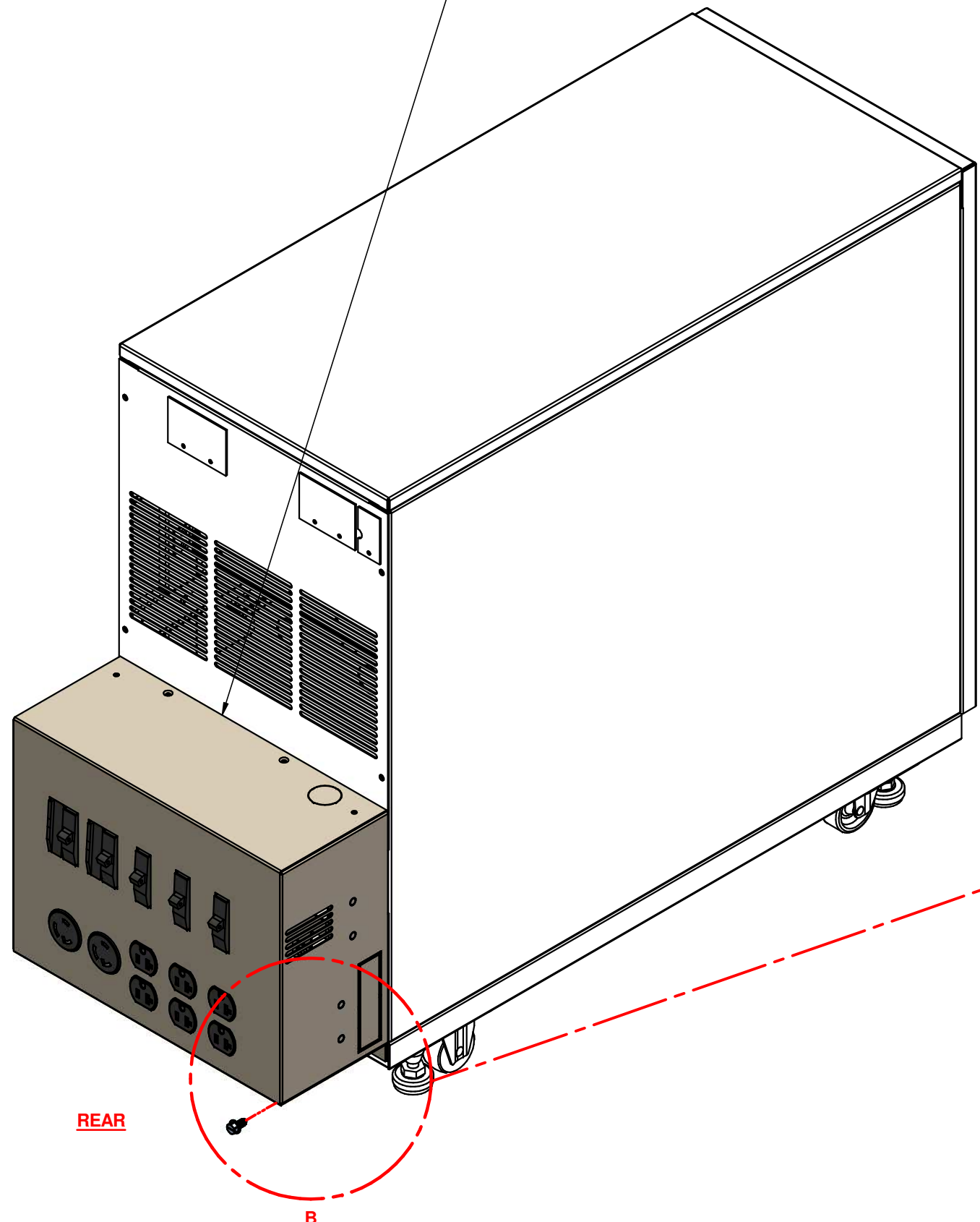
1. REFERENCE WIRING SCHEMATIC UD-100663E FOR WIRE TERMINATIONS.
2. APPLY EDGE GUARD TO ALL SHARP EDGES TO PROTECT WIRE HARNESSSES, WIRES, AND CABLES.

REVISIONS
0 RELEASED FOR CONSTRUCTION
N.RIEMER 9/19/2017
1 ADDED CABLE BRACKET REMOVAL
J.PRY-SOCK 1/31/2018

DIMENSIONS IN: IN (MM) (REF)	SCALE - NTS -	DRAFTER J.PRY-SOCK	DATE 9/19/17	<p>MITSUBISHI ELECTRIC</p>	
<p>PROPRIETARY This document is the property of Mitsubishi Electric Power Products, Inc. and contains proprietary and confidential information which must not be duplicated, used or disclosed other than as expressly authorized by Mitsubishi Electric Power Products, Inc.</p>		APPROVED N.RIEMER	DATE 9/19/17		TITLE 7011B OUTLET PANEL INSTALLATION
CORE/REFERENCE DRAWING (IF APPLICABLE)				DWG. NO. UD-100663I	SHEET 8 OF 10 REV. 1

BUNDLE WIRES IN REAR OUTPUT DISTRIBUTION BOX BEFORE MOUNTING

INSTALL NEW PANEL WITH RETAINED HARDWARE



BOTTOM HARDWARE MOUNTING DETAIL B
TYPICAL 2 PLACES

REAR

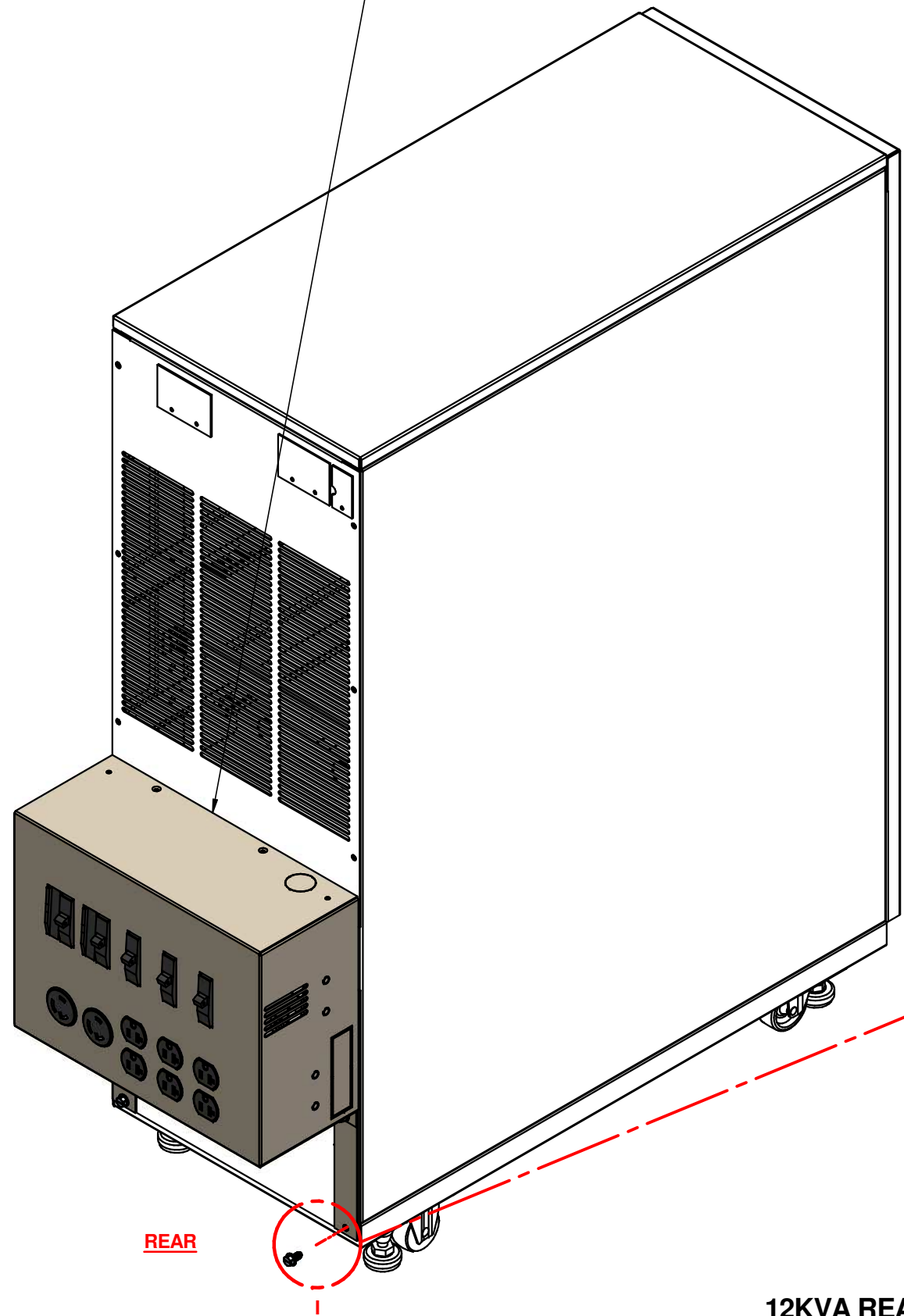
B

6KVA REAR OUTPUT DISTRIBUTION PANEL INSTALLATION

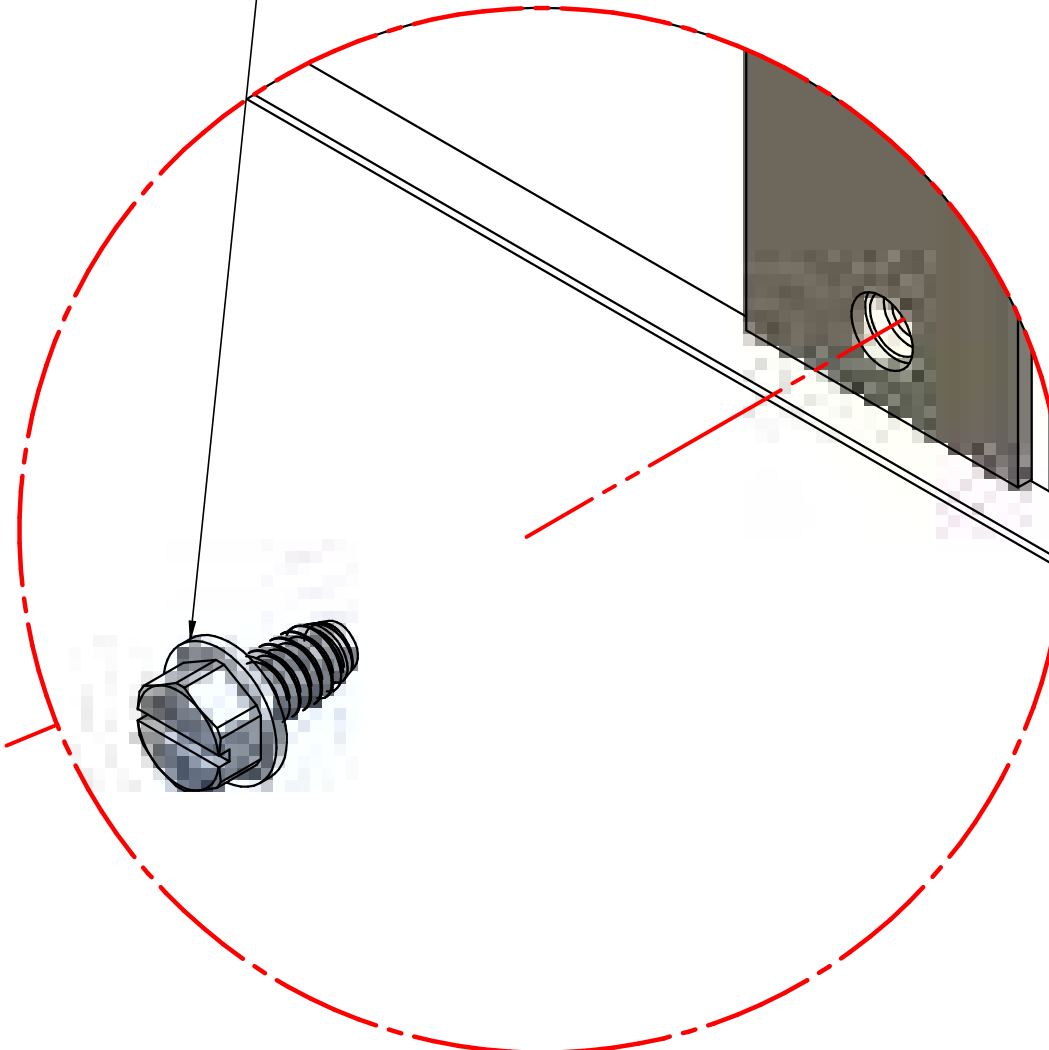
REVISIONS	0 RELEASED FOR CONSTRUCTION N.RIEMER 9/19/2017
	1 ADDED CABLE BRACKET REMOVAL J.PRY-SOCK 1/31/2018

DIMENSIONS IN: IN [MM] (REF)	SCALE - NTS -	DRAFTER J.PRY-SOCK	DATE 9/19/17	<p>MITSUBISHI ELECTRIC</p>	
<p>PROPRIETARY This document is the property of Mitsubishi Electric Power Products, Inc. and contains proprietary and confidential information which must not be duplicated, used or disclosed other than as expressly authorized by Mitsubishi Electric Power Products, Inc.</p>		APPROVED N.RIEMER	DATE 9/19/17		TITLE 7011B OUTLET PANEL INSTALLATION
CORE/REFERENCE DRAWING (IF APPLICABLE)				DWG. NO. UD-100663I	SHEET 9 OF 10 REV. 1

BUNDLE WIRES IN REAR OUTPUT DISTRIBUTION BOX BEFORE MOUNTING



INSTALL NEW PANEL WITH RETAINED HARDWARE



BOTTOM HARDWARE MOUNTING DETAIL I
TYPICAL 2 PLACES

REAR

12KVA REAR OUTPUT DISTRIBUTION PANEL INSTALLATION

REVISIONS

0 RELEASED FOR CONSTRUCTION
N.RIEMER 9/19/2017
1 ADDED CABLE BRACKET REMOVAL
J.PRY-SOCK 1/31/2018

DIMENSIONS IN: IN [MM] (REF)	SCALE - NTS -	DRAFTER J.PRY-SOCK	DATE 9/19/17
<p>PROPRIETARY This document is the property of Mitsubishi Electric Power Products, Inc. and contains proprietary and confidential information which must not be duplicated, used or disclosed other than as expressly authorized by Mitsubishi Electric Power Products, Inc.</p>		APPROVED N.RIEMER	DATE 9/19/17
CORE/REFERENCE DRAWING (IF APPLICABLE)			

MITSUBISHI ELECTRIC

TITLE **7011B**
OUTLET PANEL INSTALLATION

DWG. NO. **UD-100663I** SHEET 10 OF 10 REV. **1**