


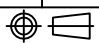
MITSUBISHI 9900B 300kVA UPS DIRECT CABLE CONFIGURATION

CUSTOMER -
PROJECT NUMBER -
PROJECT LOCATION -

TABLE OF CONTENTS

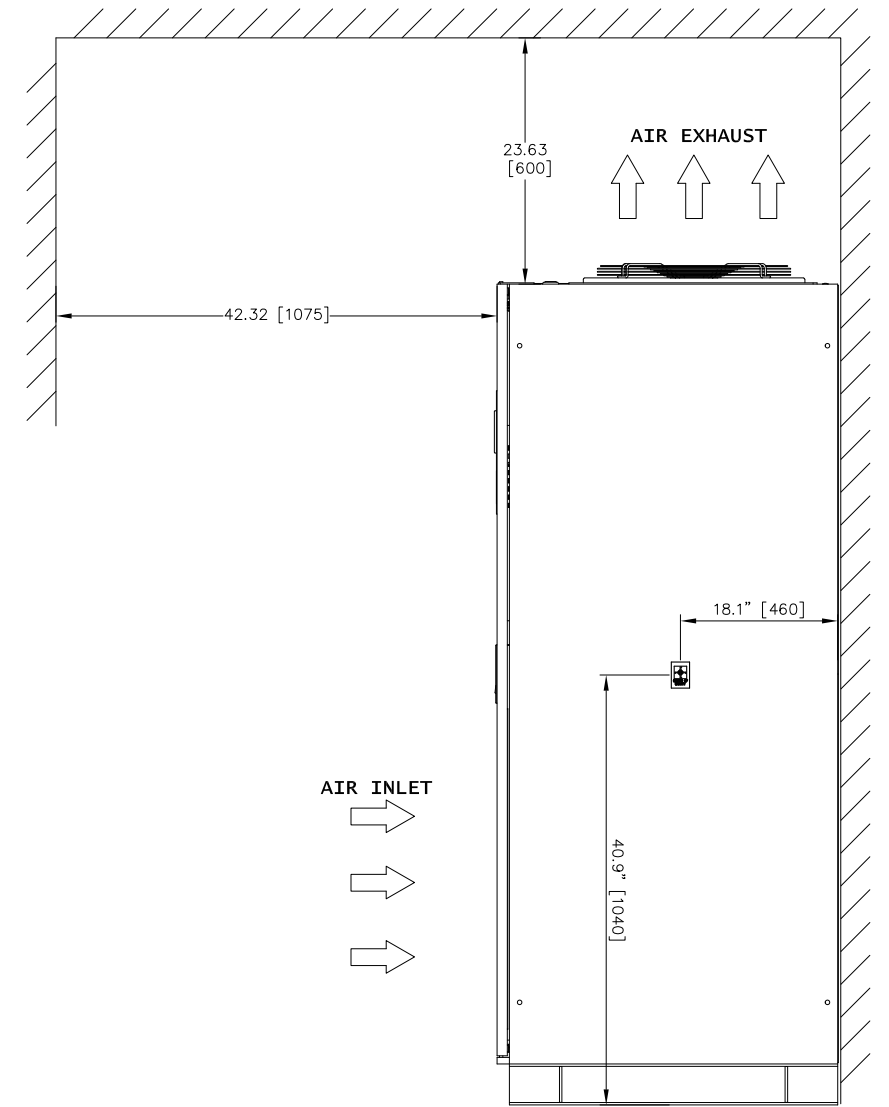
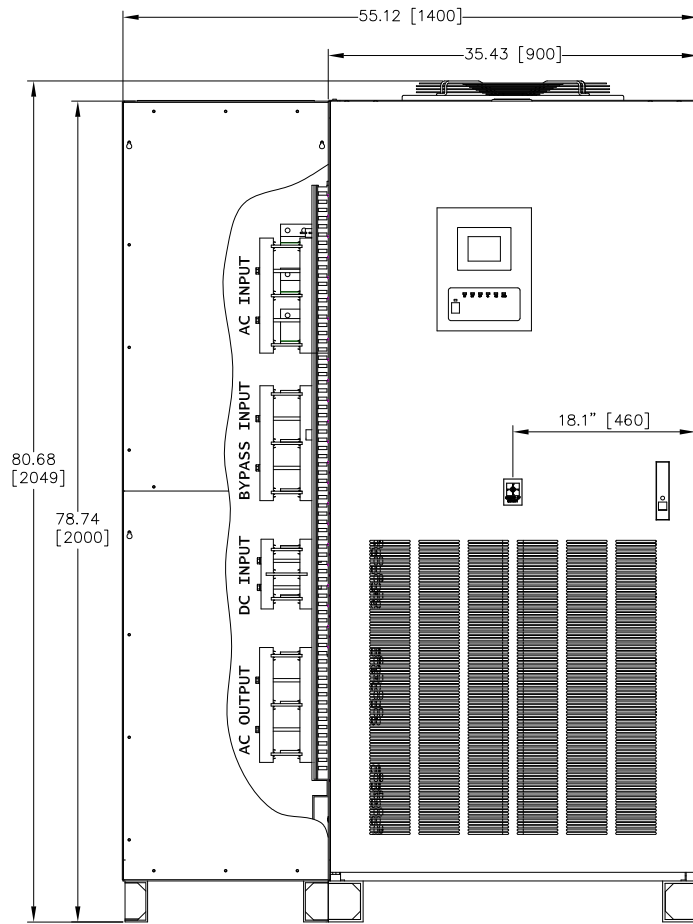
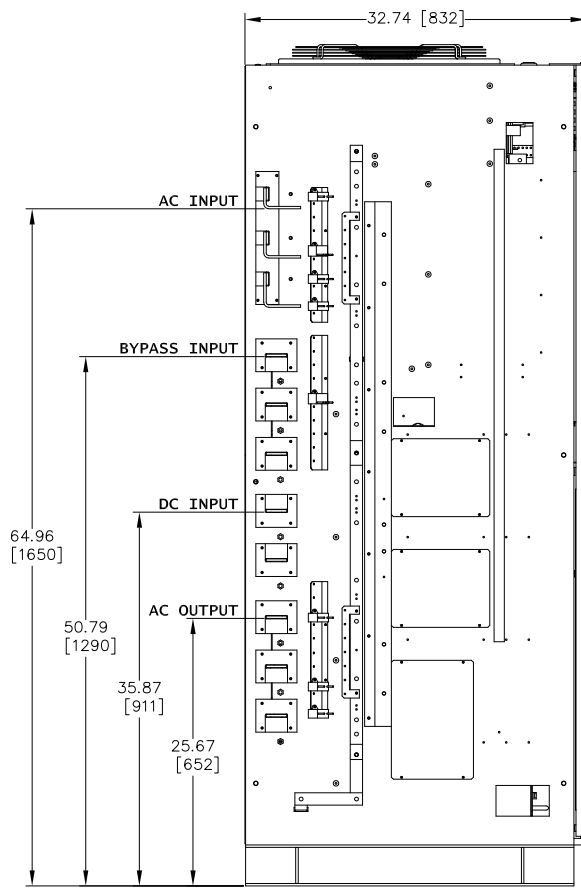
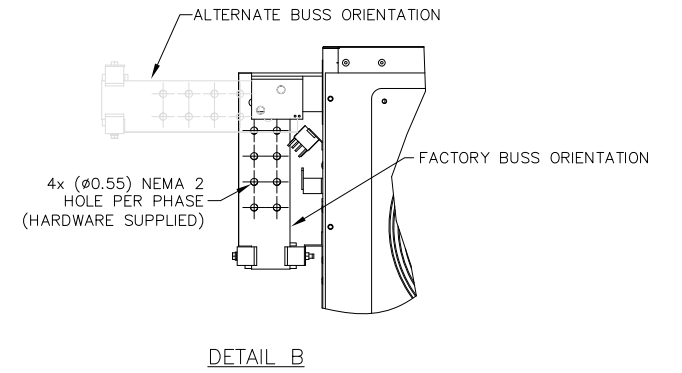
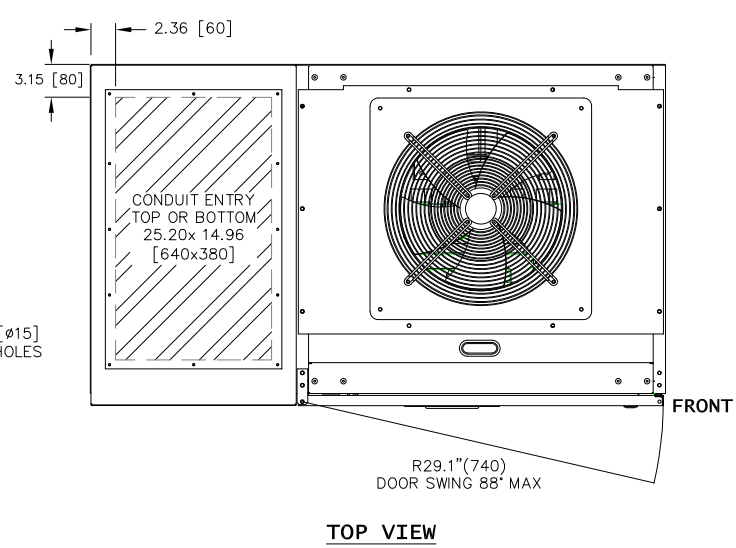
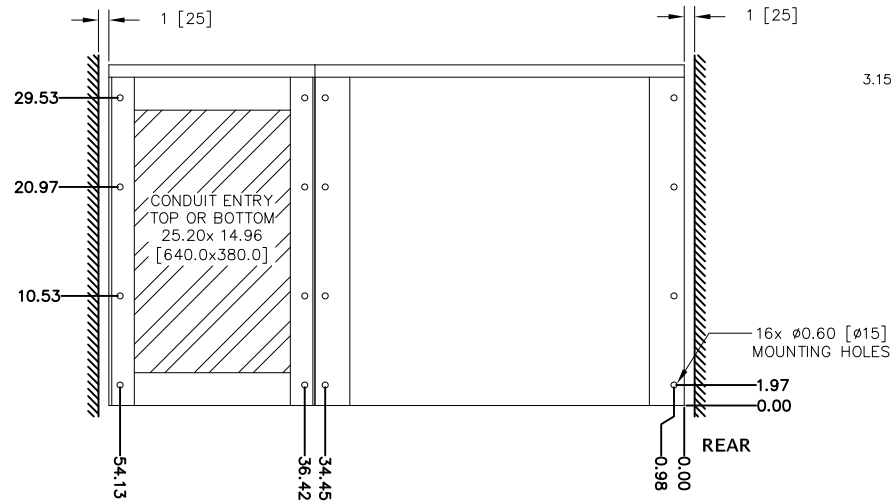
SHEET NO.	TITLE
01	COVER SHEET
02	300kVA UPS DETAIL
03	UPS ONE-LINE DIAGRAM
04	UPS ELECTRICAL SCHEMATIC
05	UPS CONTACT DIAGRAM
06	
07	
08	
09	
10	
11	
12	
13	
14	
15	

REVISIONS
0 RELEASED FOR USE NRR 6/13/11
1 GENERAL REVISION DDR 11/02/12
2 GENERAL REVISION DDR 11/27/12
3 FAN REMOVED FROM SCHEMATIC; SHEET 3 JMB 02/06/13
4 REVISED BATTERY CABINET GROUND JMB 11/07/13
5 UPDATED CABINET ANCHORING NRR 3/20/14
6 GENERAL TEXT REVISION NRR 12/30/14
7 GENERAL TEXT REVISION GDJ 7/15/15
8 ADDED CENTER OF GRAVITY ZMZ 2/2/18
9. ADDED NOTE 6 TO SHEET 2; UPDATED PER ECN 1368 ZZAJAC 6/27/19

DIM. IN: INCHES	SCALE: NTS	DRAFTER: T.DIEBLE	DATE: 06/03/11	 MITSUBISHI ELECTRIC POWER PRODUCTS, INC. WARRENDALE, PA.
<small>PROPRIETARY THIS DOCUMENT IS PROPERTY OF MITSUBISHI ELECTRIC POWER PRODUCTS INC. AND CONTAINS PROPRIETARY AND CONFIDENTIAL INFORMATION WHICH MUST NOT BE DUPLICATED, USED OR DISCLOSED OTHER THAN AS EXPRESSLY AUTHORIZED BY MITSUBISHI ELECTRIC POWER PRODUCTS INC.</small>		CHECKED: N.RIEMER	DATE: 06/03/11	
		ENGINEER: N.RIEMER	DATE: 06/03/11	
REF. DWG. No.	APPROVED:	TITLE: 9900B 300kVA UPS STANDARD CONFIGURATION		
FILE LOCATION:			DWG No. UD-100112 SHEET 1 OF 5 REV: 9	

NOTES

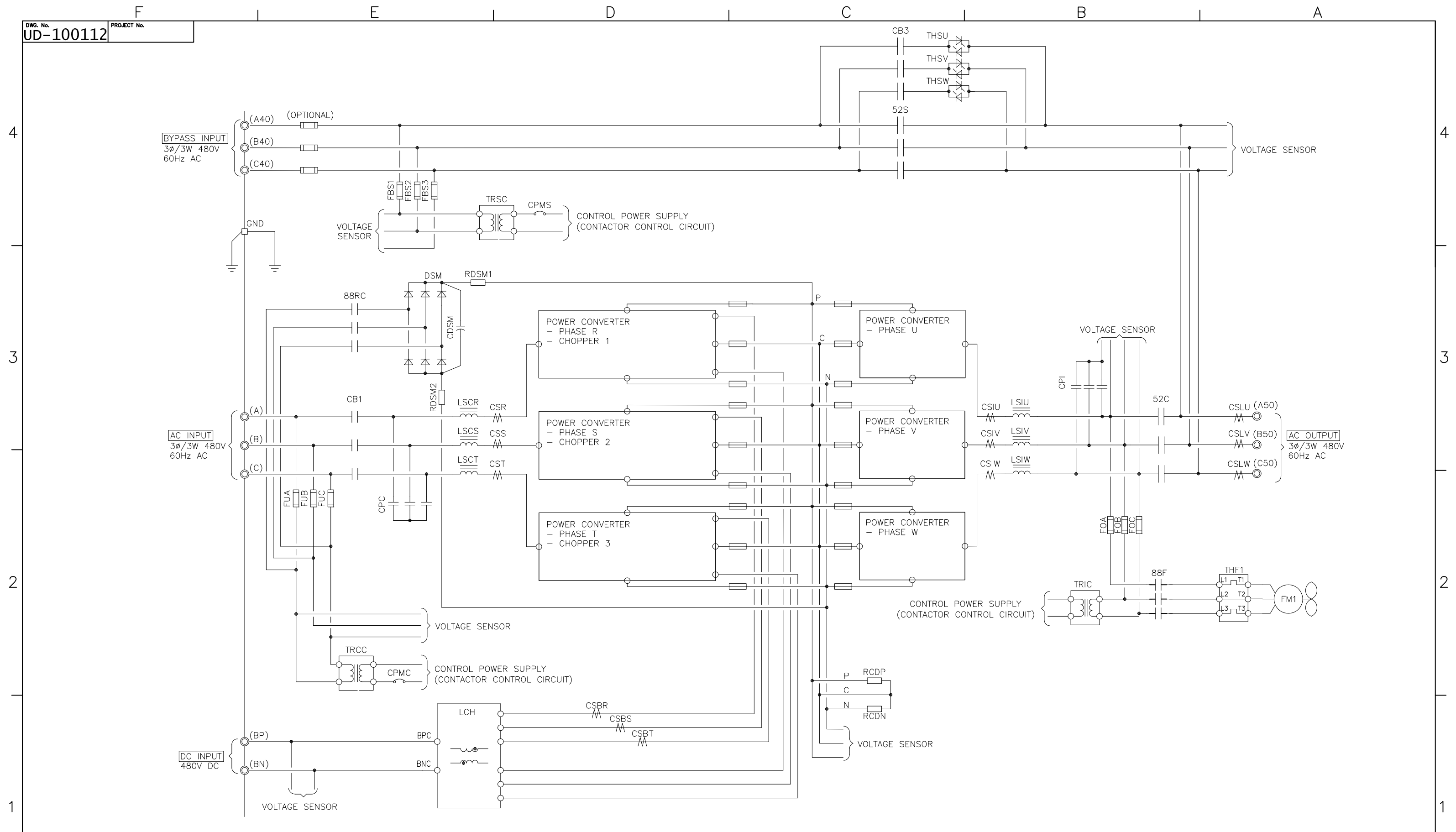
1. FIELD CABLES AND TERMINATIONS BY OTHERS. (AC INPUT, DC INPUT, BYPASS INPUT AND AC OUTPUT.)
2. PHASE ROTATION CLOCKWISE A, B, C.
3. 19.7" SIDECAR SHIPPED ATTACHED TO UPS.
4. CABINET MUST MAINTAIN ±15° UPRIGHT.
5. APPROXIMATE WEIGHT: 2,250LBS (1021KG)
6. HEAT REJECTION
 42.68 KBTU/HR@ 100%
 30.35 KBTU/HR@ 75%
 20.23 KBTU/HR@ 50%



REVISIONS
0 RELEASED FOR USE NRR 6/13/11
1 GENERAL REVISION DDR 11/02/12
2 GENERAL REVISION DDR 11/27/12
3 FAN REMOVED FROM SCHEMATIC; SHEET 3 JMB 02/06/13
4 REVISED BATTERY CABINET GROUND JMB 11/07/13
5 UPDATED CABINET ANCHORING NRR 3/20/14
6 GENERAL TEXT REVISION NRR 12/30/14
7 GENERAL TEXT REVISION GDJ 7/15/15
8 ADDED CENTER OF GRAVITY ZMZ 2/2/18
9. ADDED NOTE 6 SHEET 2 OF 5 UPON SHEET PER EGN 1/3/18 Z.ZAJAC 6/27/19

DIM. IN: INCHES	SCALE: NTS	DRAFTER: T.DIEBLE	DATE: 06/03/11
PROPRIETARY THIS DOCUMENT IS PROPERTY OF MITSUBISHI ELECTRIC POWER PRODUCTS INC. AND CONTAINS PROPRIETARY AND CONFIDENTIAL INFORMATION WHICH MUST NOT BE REPLICATED, USED OR DISCLOSED OTHER THAN AS EXPRESSLY AUTHORIZED BY MITSUBISHI ELECTRIC POWER PRODUCTS INC.		CHECKED: N.RIEMER	DATE: 06/03/11
		ENGINEER: N.RIEMER	DATE: 06/03/11
		APPROVED:	DATE:
REF. DWG. No.			
FILE LOCATION:			

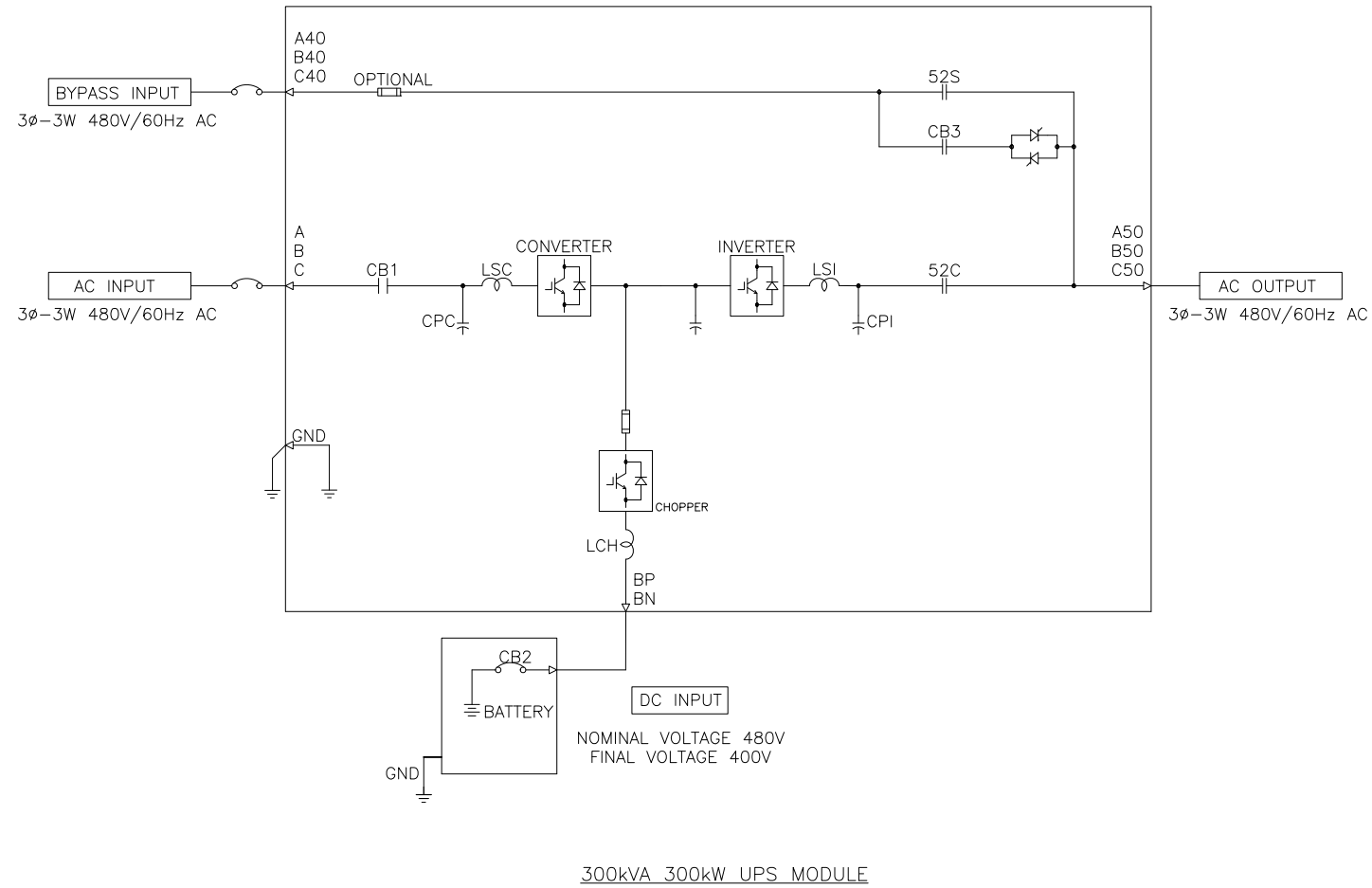
MITSUBISHI ELECTRIC POWER PRODUCTS, INC.
 WARRENDALE, PA.
 TITLE: **9900B 300kVA UPS STANDARD CONFIGURATION**
 DWG. No. **UD-100112** SHEET 2 OF 5 REV: **9**



REVISIONS
0 RELEASED FOR USE NRR 6/13/11
1 GENERAL REVISION DDR 11/02/12
2 GENERAL REVISION DDR 11/27/12
3 FAN REMOVED FROM SCHEMATIC; SHEET 3 JMB 02/06/13
4 REVISED BATTERY CABINET GROUND JMB 11/07/13
5 UPDATED ANCHORING CABINET ANCHORING NRR 3/20/14
6 GENERAL TEXT NRR 12/30/14
7 GENERAL TEXT REVISION GDJ 7/15/15
8 ADDED CENTER OF GRAVITY ZMZ 2/2/18
9. ADDED NOTE 6 TO SHEET 2; UPDATED PER ECN 1388 ZZAJAC 6/27/19

REVISIONS
0 RELEASED FOR USE NRR 6/13/11
1 GENERAL REVISION DDR 11/02/12
2 GENERAL REVISION DDR 11/27/12
3 FAN REMOVED FROM SCHEMATIC; SHEET 3 JMB 02/06/13
4 REVISED BATTERY CABINET GROUND JMB 11/07/13
5 UPDATED ANCHORING CABINET ANCHORING NRR 3/20/14
6 GENERAL TEXT NRR 12/30/14
7 GENERAL TEXT REVISION GDJ 7/15/15
8 ADDED CENTER OF GRAVITY ZMZ 2/2/18
9. ADDED NOTE 6 TO SHEET 2; UPDATED PER ECN 1388 ZZAJAC 6/27/19

DIM. IN: INCHES	SCALE: NTS	DRAFTER: T.DIEBLE	DATE: 06/03/11
<small>PROPRIETARY THIS DOCUMENT IS PROPERTY OF MITSUBISHI ELECTRIC POWER PRODUCTS INC. AND CONTAINS PROPRIETARY AND CONFIDENTIAL INFORMATION WHICH MUST NOT BE DUPLICATED, USED OR DISCLOSED OTHER THAN AS EXPRESSLY AUTHORIZED BY MITSUBISHI ELECTRIC POWER PRODUCTS INC.</small>		CHECKED: N.RIEMER	DATE: 06/03/11
		ENGINEER: N.RIEMER	DATE: 06/03/11
REF. DWG. No.	APPROVED:	MITSUBISHI ELECTRIC POWER PRODUCTS, INC. WARRENDALE, PA. TITLE: 9900B 300kVA UPS STANDARD CONFIGURATION	
FILE LOCATION:	DWG No. UD-100112 SHEET 3 OF 5 REV: 9		



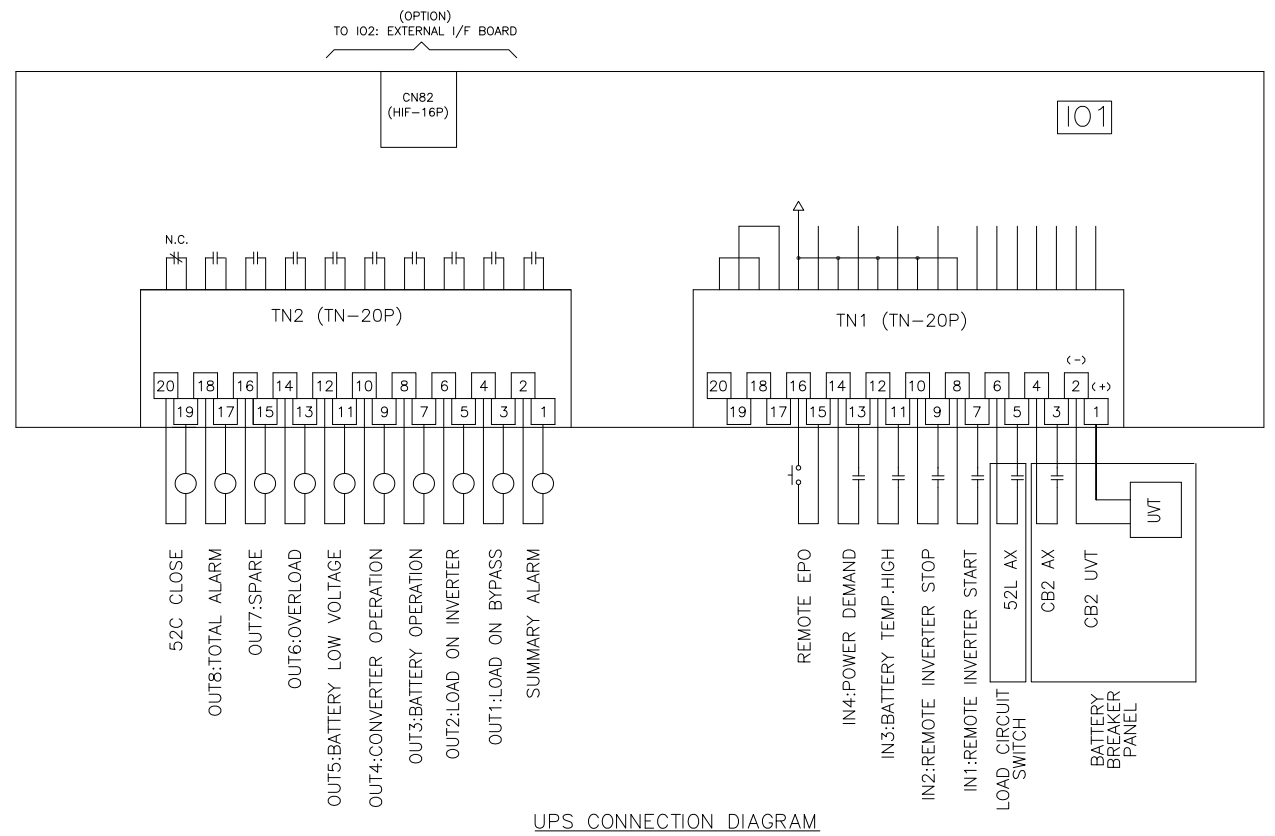
REVISIONS
0 RELEASED FOR USE NRR 6/13/11
1 GENERAL REVISION DDR 11/02/12
2 GENERAL REVISION DDR 11/27/12
3 FAN REMOVED FROM SCHEMATIC; SHEET 3 JMB 02/06/13
4 REVISED BATTERY CABINET GROUND JMB 11/07/13
5 UPDATED CABINET ANCHORING NRR 3/20/14
6 GENERAL TEXT REVISION NRR 12/30/14
7 GENERAL TEXT REVISION GDJ 7/15/15
8 ADDED CENTER OF GRAVITY ZMZ 2/2/18
9. ADDED NOTE 6 TO SHEET 2; UPDATED PER ECN 1368 ZZAJAC 6/27/19

DIM. IN: INCHES	SCALE: NTS	DRAFTER: T.DIEBLE	DATE: 06/03/11
<small>PROPRIETARY THIS DOCUMENT IS PROPERTY OF MITSUBISHI ELECTRIC POWER PRODUCTS INC. AND CONTAINS PROPRIETARY AND CONFIDENTIAL INFORMATION WHICH MUST NOT BE DUPLICATED, USED OR DISCLOSED OTHER THAN AS EXPRESSLY AUTHORIZED BY MITSUBISHI ELECTRIC POWER PRODUCTS INC.</small>		CHECKED: N.RIEMER	DATE: 06/03/11
		ENGINEER: N.RIEMER	DATE: 06/03/11
REF. DWG. No.	APPROVED:	DATE:	
FILE LOCATION:			

**MITSUBISHI ELECTRIC
POWER PRODUCTS, INC.**
WARRENDALE, PA.

**9900B 300kVA UPS
STANDARD CONFIGURATION**

DWG. No. **UD-100112** SHEET 4 OF 5 REV: **9**



REVISIONS
0 RELEASED FOR USE NRR 6/13/11
1 GENERAL REVISION DDR 11/02/12
2 GENERAL REVISION DDR 11/27/12
3 FAN REMOVED FROM SCHEMATIC; SHEET 3 JMB 02/06/13
4 REVISED BATTERY CABINET GROUND JMB 11/07/13
5 UPDATED CABINET ANCHORING NRR 3/20/14
6 GENERAL TEXT REVISION NRR 12/30/14
7 GENERAL TEXT REVISION GDJ 7/15/15
8 ADDED CENTER OF GRAVITY ZMZ 2/2/18
9. ADDED NOTE 6 TO SHEET 2; UPDATED PER ECN 1388 Z.ZAJAC 6/27/19

DIM. IN: INCHES	SCALE: NTS	DRAFTER: T.DIEBLE	DATE: 06/03/11	<p>MITSUBISHI ELECTRIC POWER PRODUCTS, INC. WARRENDALE, PA.</p> <p>TITLE: 9900B 300kVA UPS STANDARD CONFIGURATION</p>
<small>PROPRIETARY THIS DOCUMENT IS PROPERTY OF MITSUBISHI ELECTRIC POWER PRODUCTS INC. AND CONTAINS PROPRIETARY AND CONFIDENTIAL INFORMATION WHICH MUST NOT BE DUPLICATED, USED OR DISCLOSED OTHER THAN AS EXPRESSLY AUTHORIZED BY MITSUBISHI ELECTRIC POWER PRODUCTS INC.</small>		CHECKED: N.RIEMER	DATE: 06/03/11	
		ENGINEER: N.RIEMER	DATE: 06/03/11	
REF. DWG. No.	APPROVED:	DATE:	DATE:	
FILE LOCATION:			<p>DWG No. UD-100112 SHEET 5 OF 5 REV: 9</p>	