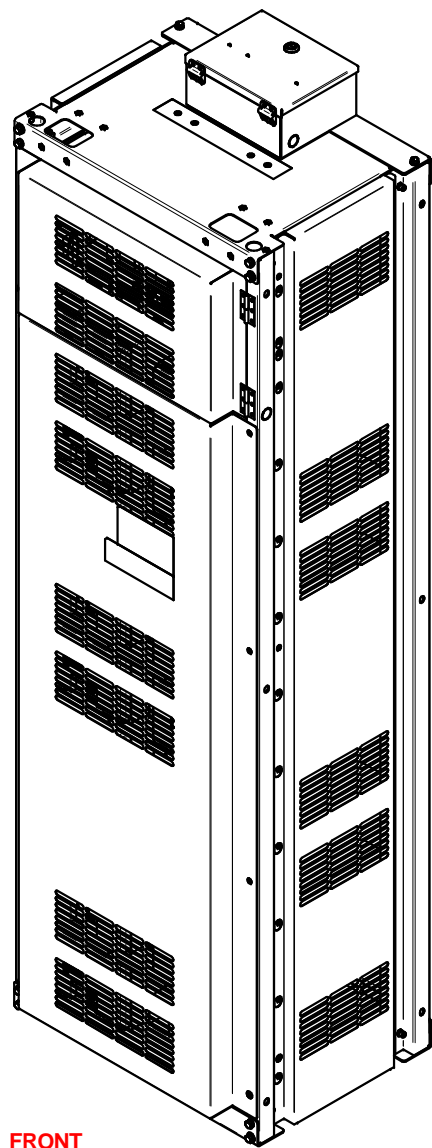
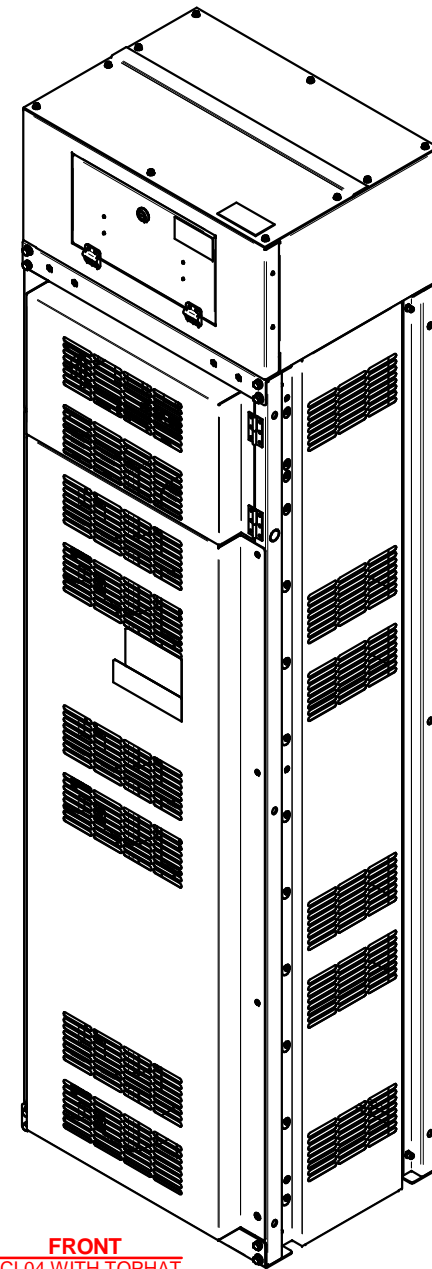


FRONT
BCL04 STANDARD CABINET





FRONT
BCL04 WITH CONTROL CONDUIT BOX

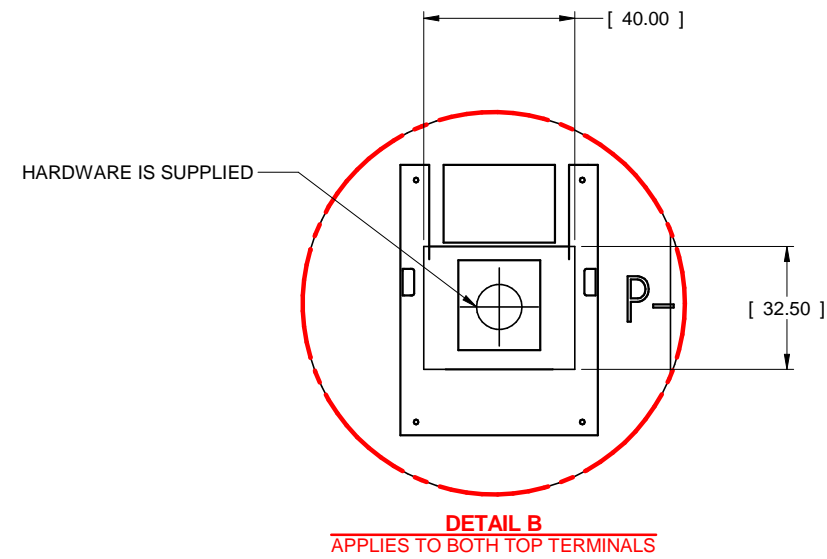
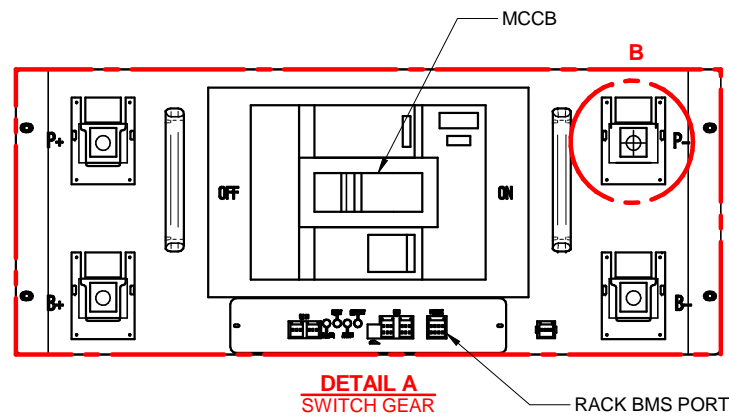
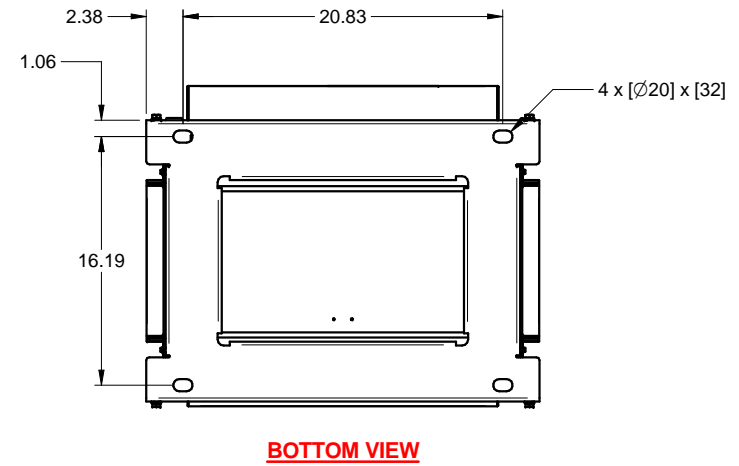
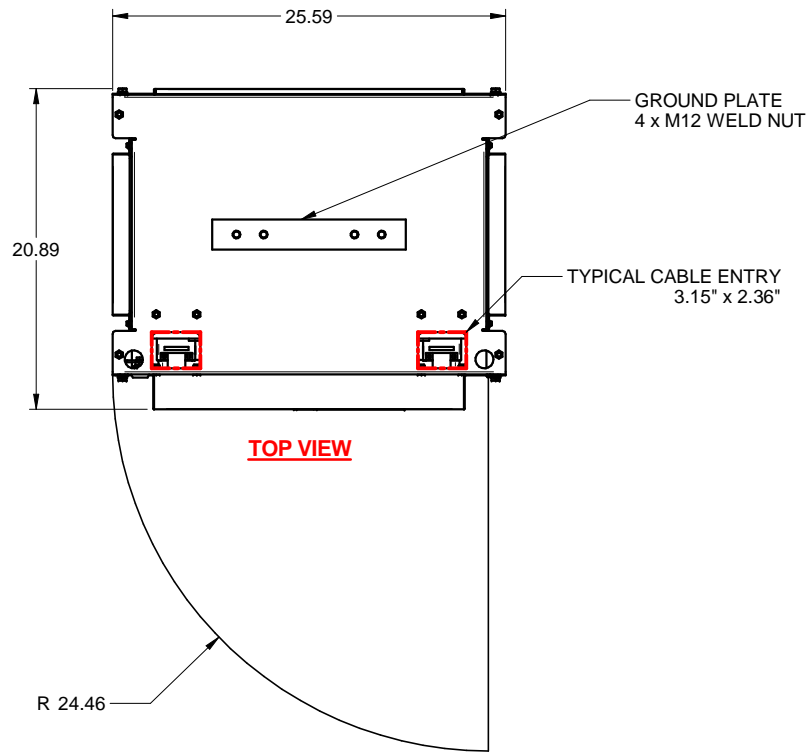
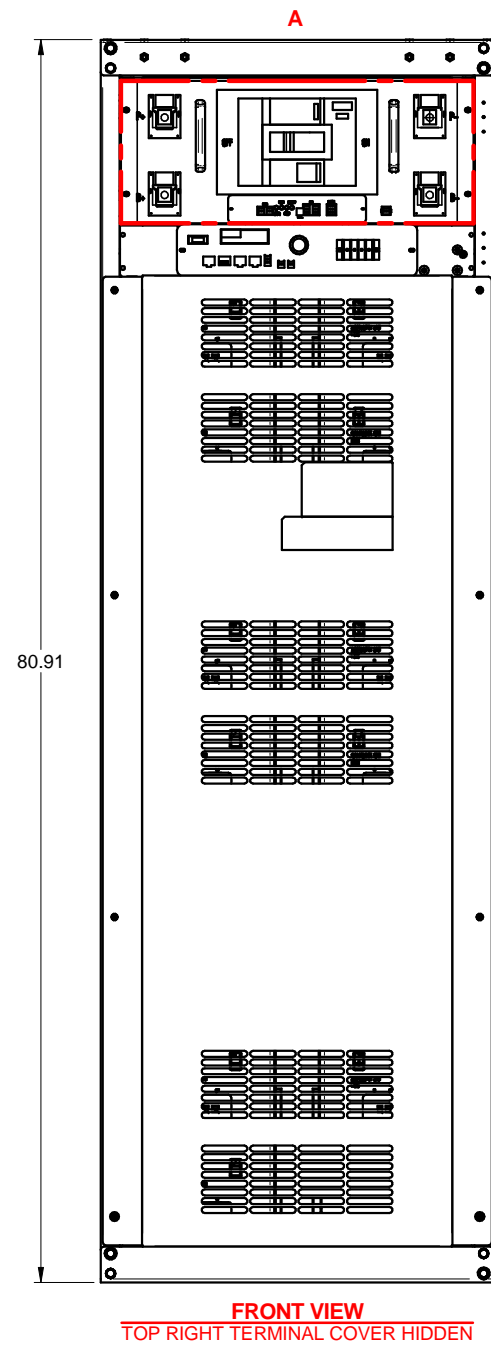


FRONT
BCL04 WITH TOPHAT

BCL04 LITHIUM BATTERY CABINET OPTIONS

REVISIONS	DESCRIPTION	DATE
0.	INITIAL RELEASE ECN 1256 E.MACDONALD 05/01/2019	
1.	CHANGED CABINET TYPE: UPDATED PER ECN 1396 Z.ZAJAC 7/17/2019	
2.	CHANGED TITLE AND LABELING TO BCL04; UPDATED PER ECN 1511 Z.ZAJAC 9/25/19	
4.	ADDED VIEWS AND NOTE 4 & 5 TO SHEET 1 Z.ZAJAC 1/23/2020	
5.	UPDATED VEIWS, ADDED OVERALLS. J.PRY-SOCK 2/11/2020	
6.	ADDED CONDUIT ENTRY FOR STANDARD CABINET Z.ZAJAC 4/14/2020	
7.	ADDED EXTRA SHEETS TO SHOW BCL04 OPTIONS Z.ZAJAC 4/16/2020	
8.	UPDATED VIEWS TO SHOW I/O CONTROL BOX TO BE ROTATED 90° Z.ZAJAC 9/4/20	

DIMENSIONS IN: IN [MM] (REF)	SCALE - NTS -	DRAFTER Z.ZAJAC	DATE 10/30/19	 MITSUBISHI ELECTRIC	
<p>PROPRIETARY This document is the property of Mitsubishi Electric Power Products, Inc. and contains proprietary and confidential information which must not be duplicated, used or disclosed other than as expressly authorized by Mitsubishi Electric Power Products, Inc.</p>		APPROVED A.WINTERS	DATE 10/30/19		TITLE BCL04 LITHIUM BATTERY CABINET
CORE/REFERENCE DRAWING (IF APPLICABLE)				DWG. NO. UD-100945	SHEET 1 OF 5 REV. 8

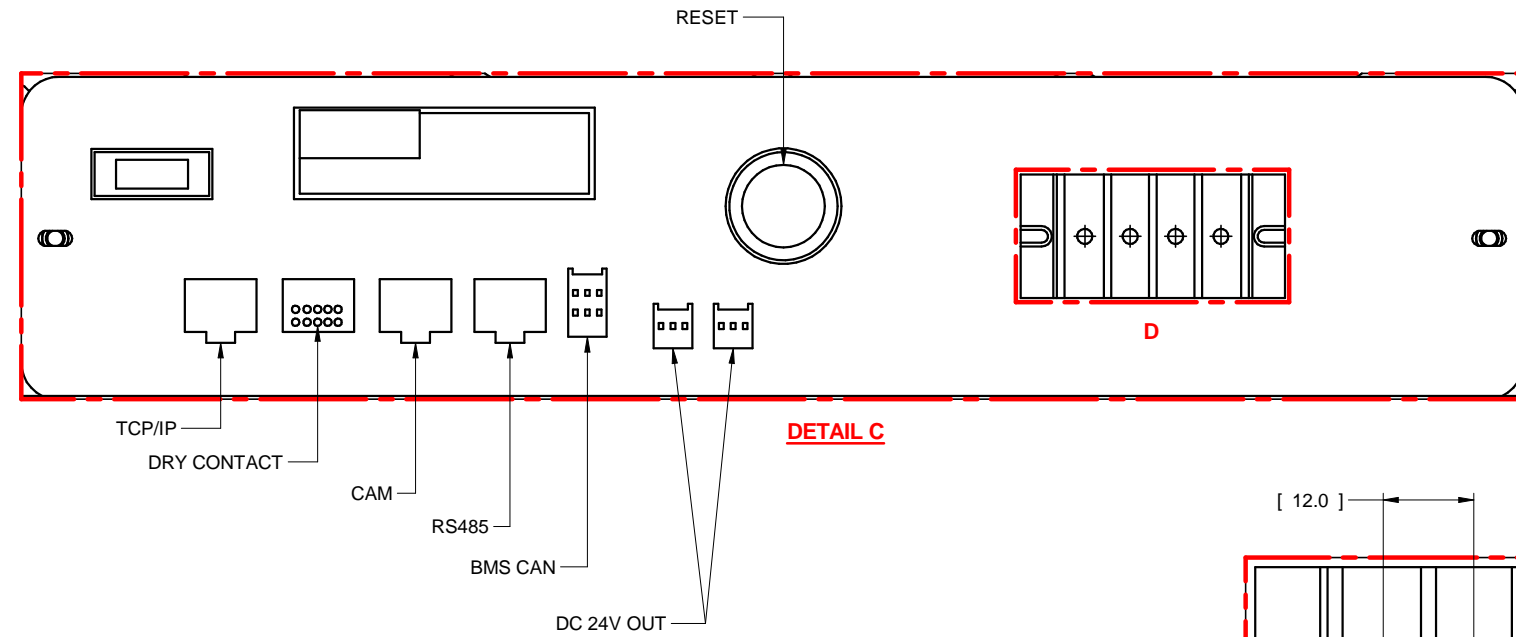


- NOTES:
1. REDUNDANT CONTROL POWER SUPPLIES, 100-240VAC, 1 PHASE + GROUND. (SUPPLIED AND INSTALLED BY OTHERS)
 2. 8 SIGNAL WIRES REQUIRED (6 SIGNAL WIRES FOR 9900C/CX) 22-16 AWG WIRE SIZE. (SUPPLIED AND INSTALLED BY OTHERS)
 3. RACK SPECIFICATIONS.
184KW CONTINUOUS, 257KW MAX POWER
340-582 VDC OPERATING VOLTAGE RANGE (PROTECTION LIMIT)
 4. ALL FOUR CORNERS OF EVERY CABINET SHALL BE ANCHORED TO FLOOR.
 5. APPLY "NO-OX" GREASE TO BATTERY TERMINALS.
 6. I/O SIGNAL INTERFACE BOX AND TOP HAT ARE FIELD INSTALLED ITEMS

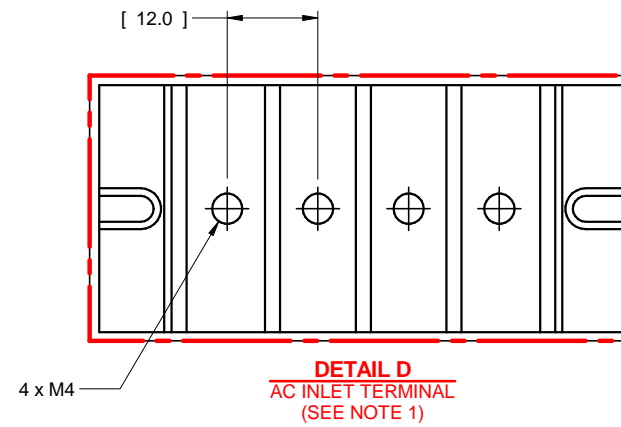
BCL04 STANDARD CABINET

REVISIONS	DATE	BY	DESCRIPTION
0. INITIAL RELEASE			
ECN 1256			
E.MACDONALD	05/01/2019		
1. CHANGED CABINET TYPE: UPDATED PER ECN 1396			
Z.ZAJAC	7/17/2019		
2. CHANGED TITLE AND LABELING TO BCL04; UPDATED PER ECN 1511			
Z.ZAJAC	9/25/19		
4. ADDED VIEWS AND NOTE 4 & 5 TO SHEET 1			
Z.ZAJAC	1/23/2020		
5. UPDATED VIEWS, ADDED OVERALLS. J.PRY-SOCK			
	2/11/2020		
6. ADDED CONDUIT ENTRY FOR STANDARD CABINET			
Z.ZAJAC	4/14/2020		
7. ADDED EXTRA SHEETS TO SHOW BCL04 OPTIONS			
Z.ZAJAC	4/16/2020		
8. UPDATED VIEWS TO SHOW I/O CONTROL BOX TO BE ROTATED 90°			
Z.ZAJAC	9/4/20		

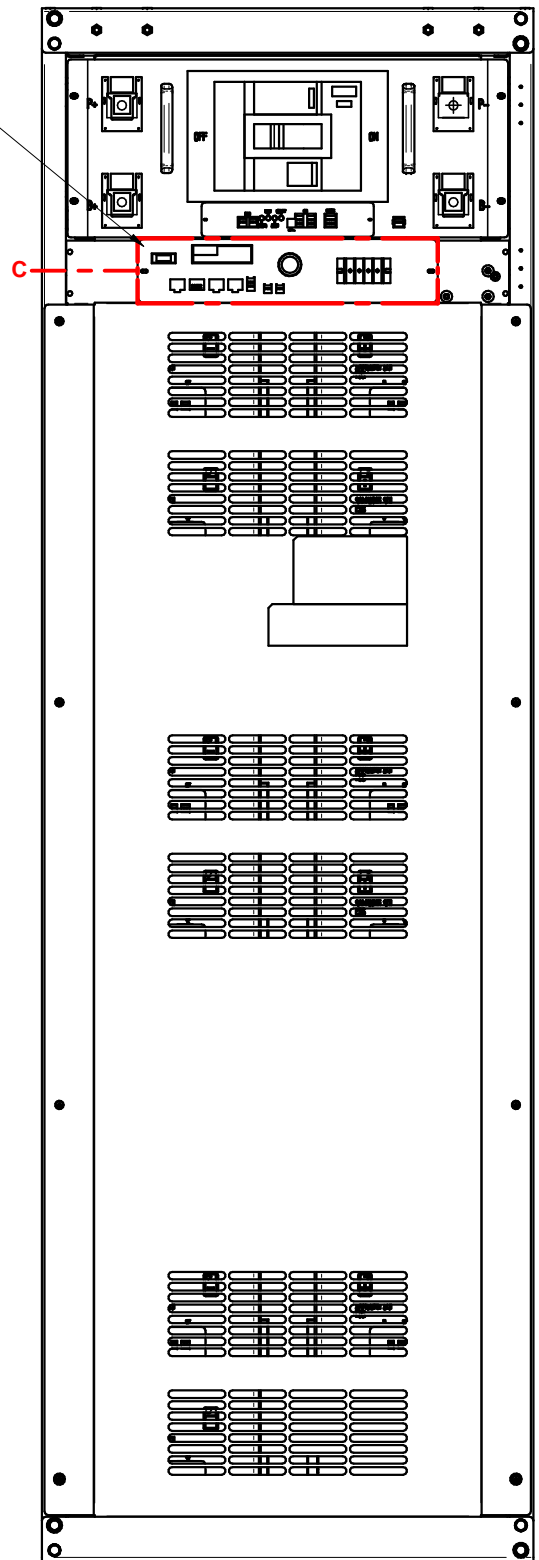
DIMENSIONS IN: IN [MM] (REF)	SCALE - NTS -	DRAFTER Z.ZAJAC	DATE 10/30/19	
<p>PROPRIETARY This document is the property of Mitsubishi Electric Power Products, Inc. and contains proprietary and confidential information which must not be duplicated, used or disclosed other than as expressly authorized by Mitsubishi Electric Power Products, Inc.</p>		APPROVED A.WINTERS	DATE 10/30/19	
CORE/REFERENCE DRAWING (IF APPLICABLE)				TITLE BCL04 LITHIUM BATTERY CABINET
		DWG. NO. UD-100945		SHEET 2 OF 5 REV. 8



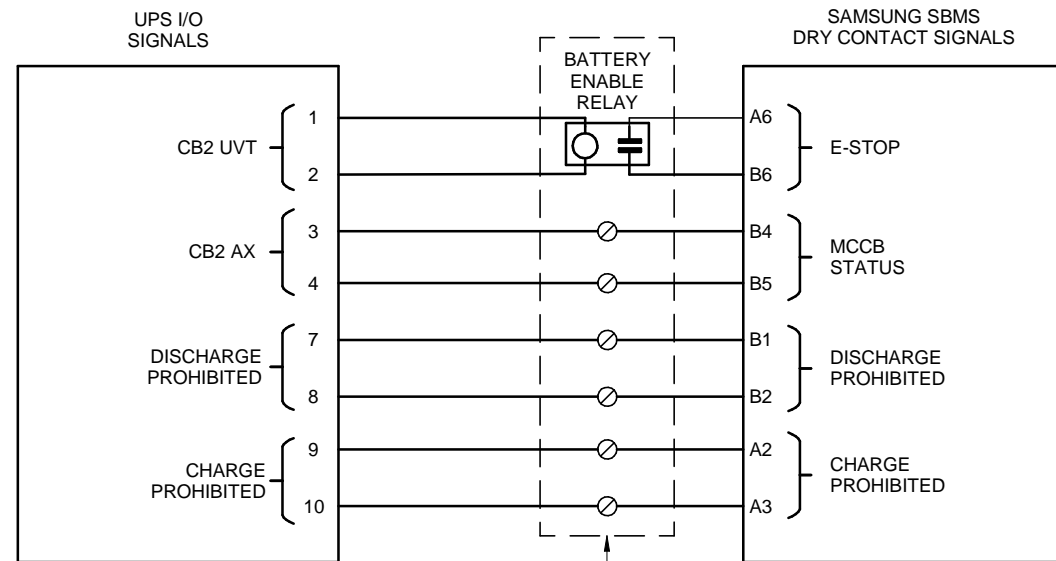
DETAIL C



SYSTEM BMS



TYPICAL SIGNAL CONNECTIONS TO UPS
SEE NOTE 2

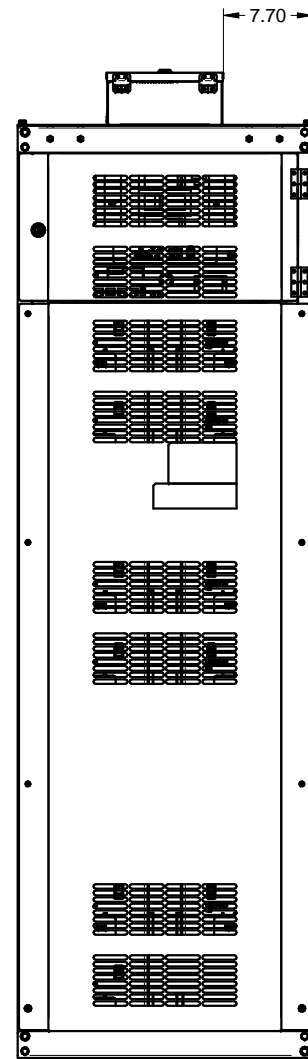
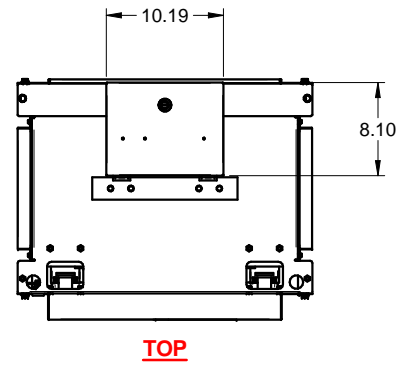


LOCATED IN TOPHATE OR I/O SIGNAL INTERFACE BOX

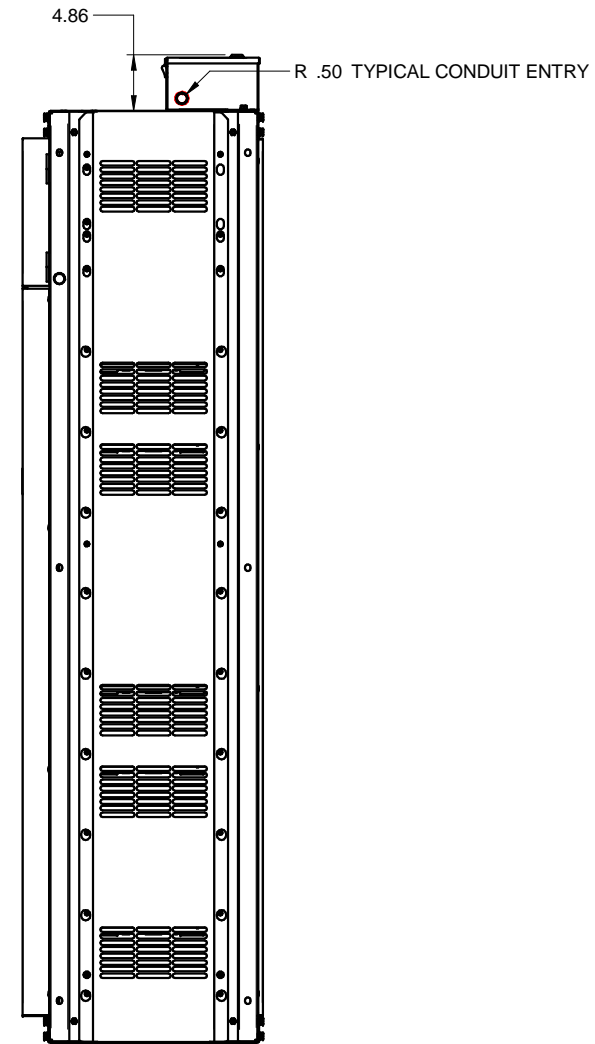
SYSTEM BMS INTERFACE

REVISIONS
0. INITIAL RELEASE ECN 1256 E.MACDONALD 05/01/2019
1. CHANGED CABINET TYPE: UPDATED PER ECN 1396 Z.ZAJAC 7/17/2019
2. CHANGED TITLE AND LABELING TO BCL04; UPDATED PER ECN 1511 Z.ZAJAC 9/25/19
4. ADDED VIEWS AND NOTE 4 & 5 TO SHEET 1 Z.ZAJAC 1/23/2020
5. UPDATED VEWS, ADDED OVERALLS. J.PRY-SOCK 2/11/2020
6. ADDED CONDUIT ENTRY FOR STANDARD CABINET Z.ZAJAC 4/14/2020
7. ADDED EXTRA SHEETS TO SHOW BCL04 OPTIONS Z.ZAJAC 4/16/2020
8. UPDATED VIEWS TO SHOW I/O CONTROL BOX TO BE ROTATED 90° Z.ZAJAC 9/4/20

DIMENSIONS IN: IN [MM] (REF)	SCALE - NTS -	DRAFTER Z.ZAJAC	DATE 10/30/19	<p>MITSUBISHI ELECTRIC</p>	
<p>PROPRIETARY This document is the property of Mitsubishi Electric Power Products, Inc. and contains proprietary and confidential information which must not be duplicated, used or disclosed other than as expressly authorized by Mitsubishi Electric Power Products, Inc.</p>		APPROVED A.WINTERS	DATE 10/30/19		TITLE BCL04 LITHIUM BATTERY CABINET
CORE/REFERENCE DRAWING (IF APPLICABLE)				DWG. NO. UD-100945	SHEET 3 OF 5 REV. 8



BCL04 WITH I/O SIGNAL INTERFACE BOX
-1 PER SYSTEM
- UA-100745

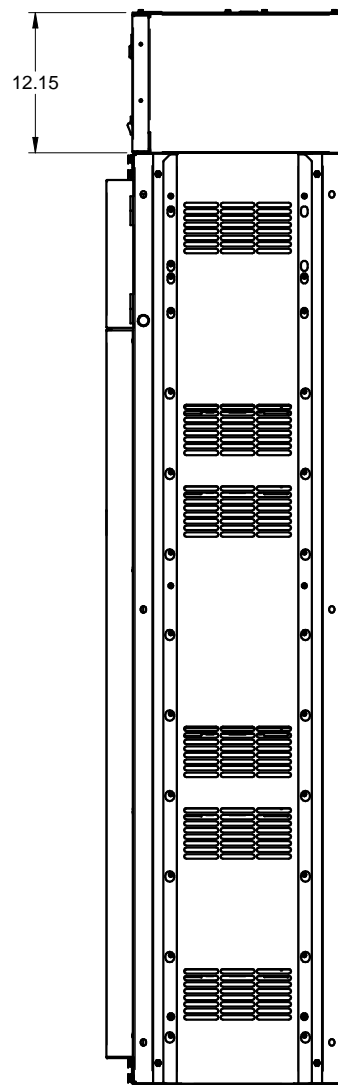
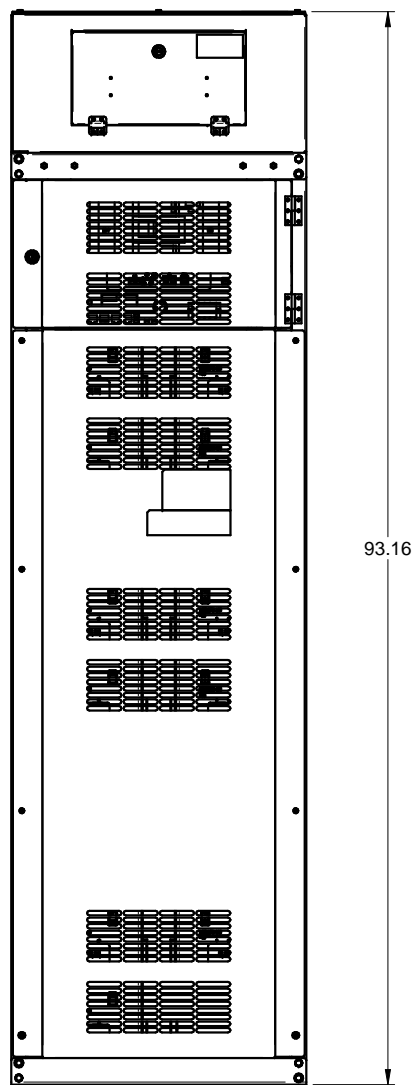
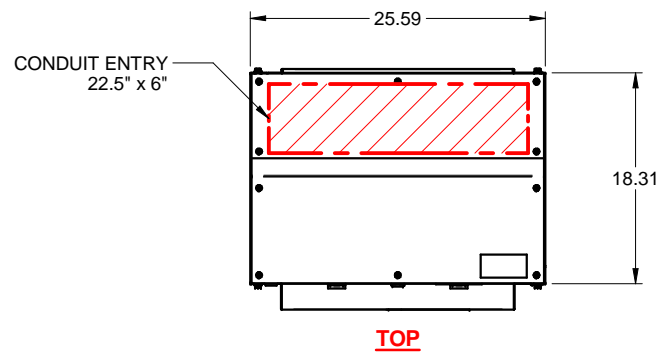


RIGHT SIDE

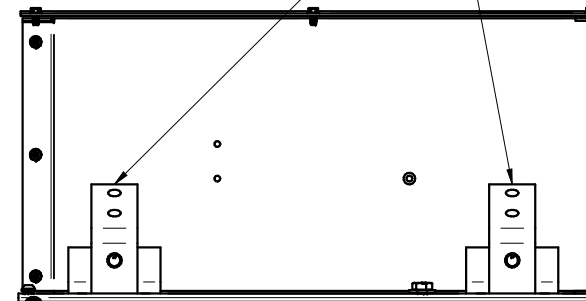
BCL04 WITH CONTROL CONDUIT BOX

REVISIONS	DESCRIPTION
0.	INITIAL RELEASE ECN 1256 E.MACDONALD 05/01/2019
1.	CHANGED CABINET TYPE: UPDATED PER ECN 1396 Z.ZAJAC 7/17/2019
2.	CHANGED TITLE AND LABELING TO BCL04; UPDATED PER ECN 1511 Z.ZAJAC 9/25/19
4.	ADDED VIEWS AND NOTE 4 & 5 TO SHEET 1 Z.ZAJAC 1/23/2020
5.	UPDATED VEWS, ADDED OVERALLS. J.PRY-SOCK 2/11/2020
6.	ADDED CONDUIT ENTRY FOR STANDARD CABINET Z.ZAJAC 4/14/2020
7.	ADDED EXTRA SHEETS TO SHOW BCL04 OPTIONS Z.ZAJAC 4/16/2020
8.	UPDATED VIEWS TO SHOW I/O CONTROL BOX TO BE ROTATED 90° Z.ZAJAC 9/4/20

DIMENSIONS IN: IN [MM] (REF)	SCALE - NTS -	DRAFTER Z.ZAJAC	DATE 10/30/19	<p>MITSUBISHI ELECTRIC</p>
<p>PROPRIETARY This document is the property of Mitsubishi Electric Power Products, Inc. and contains proprietary and confidential information which must not be duplicated, used or disclosed other than as expressly authorized by Mitsubishi Electric Power Products, Inc.</p>		APPROVED A.WINTERS	DATE 10/30/19	
CORE/REFERENCE DRAWING (IF APPLICABLE)				TITLE BCL04 LITHIUM BATTERY CABINET
		DWG. NO. UD-100945		SHEET 4 OF 5 REV. 8



PROVISION FOR (2) NEMA 2 HOLE CONNECTIONS PER POLE



FRONT VIEW OF TOPHAT
FRONT PANEL HIDDEN



BUSS TABS SIDE ELEVATION
TOPHAT HIDDEN

BCL04 WITH TOPHAT
-1 PER RACK
-I/O SIGNAL INTERFACE LOCATED IN MASTER RACK (1 PER SYSTEM)
-UA-100583

BCL04 WITH TOPHAT

REVISIONS	DESCRIPTION
0.	INITIAL RELEASE ECN 1256 E.MACDONALD 05/01/2019
1.	CHANGED CABINET TYPE: UPDATED PER ECN 1396 Z.ZAJAC 7/17/2019
2.	CHANGED TITLE AND LABELING TO BCL04; UPDATED PER ECN 1511 Z.ZAJAC 9/25/19
4.	ADDED VIEWS AND NOTE 4 & 5 TO SHEET 1 Z.ZAJAC 1/23/2020
5.	UPDATED VEWS, ADDED OVERALLS. J.PRY-SOCK 2/11/2020
6.	ADDED CONDUIT ENTRY FOR STANDARD CABINET Z.ZAJAC 4/14/2020
7.	ADDED EXTRA SHEETS TO SHOW BCL04 OPTIONS Z.ZAJAC 4/16/2020
8.	UPDATED VIEWS TO SHOW I/O CONTROL BOX TO BE ROTATED 90° Z.ZAJAC 9/4/20

DIMENSIONS IN: IN [MM] (REF)	SCALE - NTS -	DRAFTER Z.ZAJAC	DATE 10/30/19	<p>MITSUBISHI ELECTRIC</p>	
<p>PROPRIETARY This document is the property of Mitsubishi Electric Power Products, Inc. and contains proprietary and confidential information which must not be duplicated, used or disclosed other than as expressly authorized by Mitsubishi Electric Power Products, Inc.</p>		APPROVED A.WINTERS	DATE 10/30/19		TITLE BCL04 LITHIUM BATTERY CABINET
		<p>CORE/REFERENCE DRAWING (IF APPLICABLE)</p>		DWG. NO. UD-100945	SHEET 5 OF 5 REV. 8