

MITSUBISHI 9900CX 1050kVA UPS DIRECT CABLE CONFIGURATION

CUSTOMER -
PROJECT NUMBER -
PROJECT LOCATION -

TABLE OF CONTENTS

SHEET NO.	TITLE
01	COVER SHEET
02	OUTLINE
03	BUSS CONNECTIONS
04	SYSTEM CONFIGURATION
05	BUSS CONNECTIONS (OPTIONAL)
06	SINGLE LINE
07	SINGLE LINE
08	
09	
10	
11	
12	
13	
14	
15	

REVISIONS

- 0. INITIAL RELEASE PER ECN 1316 ZZA/JAC 5/29/2019
- 1. ADDED CONDUIT ENTRY TO SHEET 2; UPDATED PER ECN 1327 ZZA/JAC 6/20/19
- 2. ADDED TYPE, RATING, AND HEAT REJECTION; UPDATED PER ECN 1370 ZZA/JAC 7/11/2019
- 2. MODIFIED HMI ON SHEET 2 ZZA/JAC 4/17/2020
- 4. ADDED NOTES FOR 100,000,474 INSTALLATION. REF. UD-100373. J.MOTT 8/14/2020

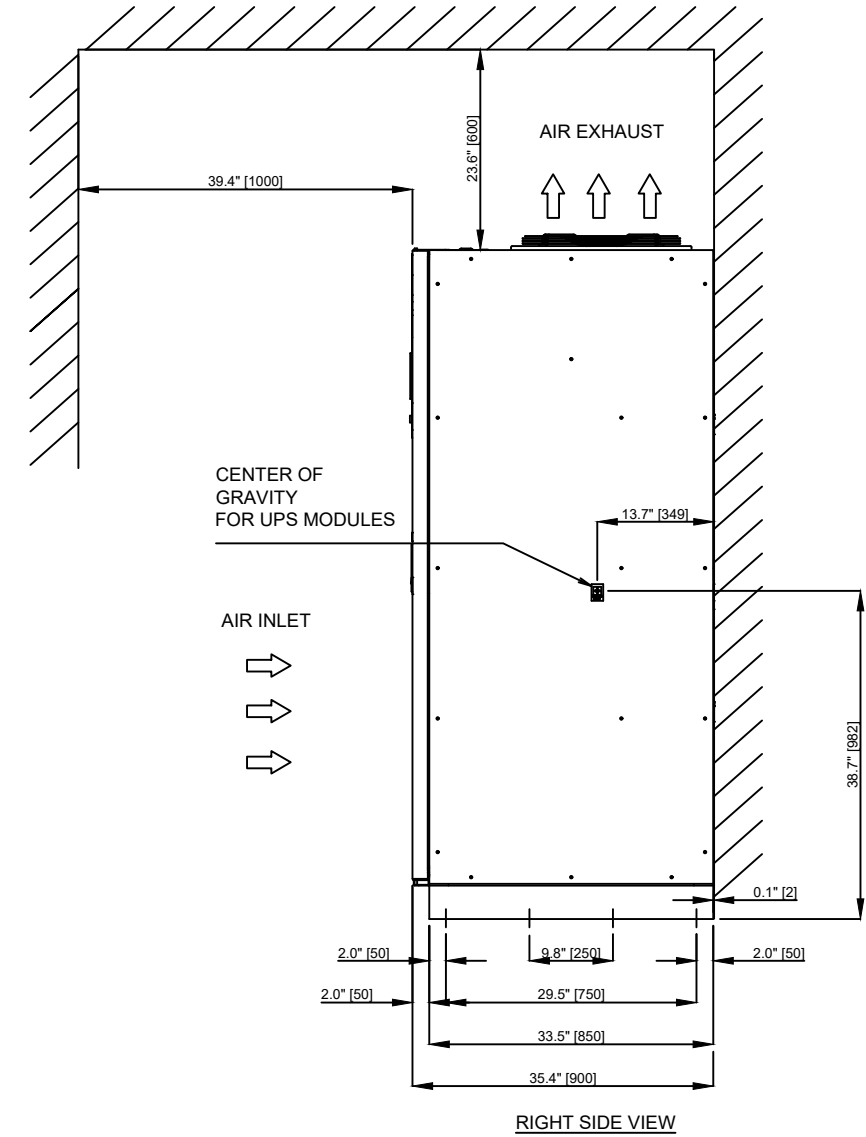
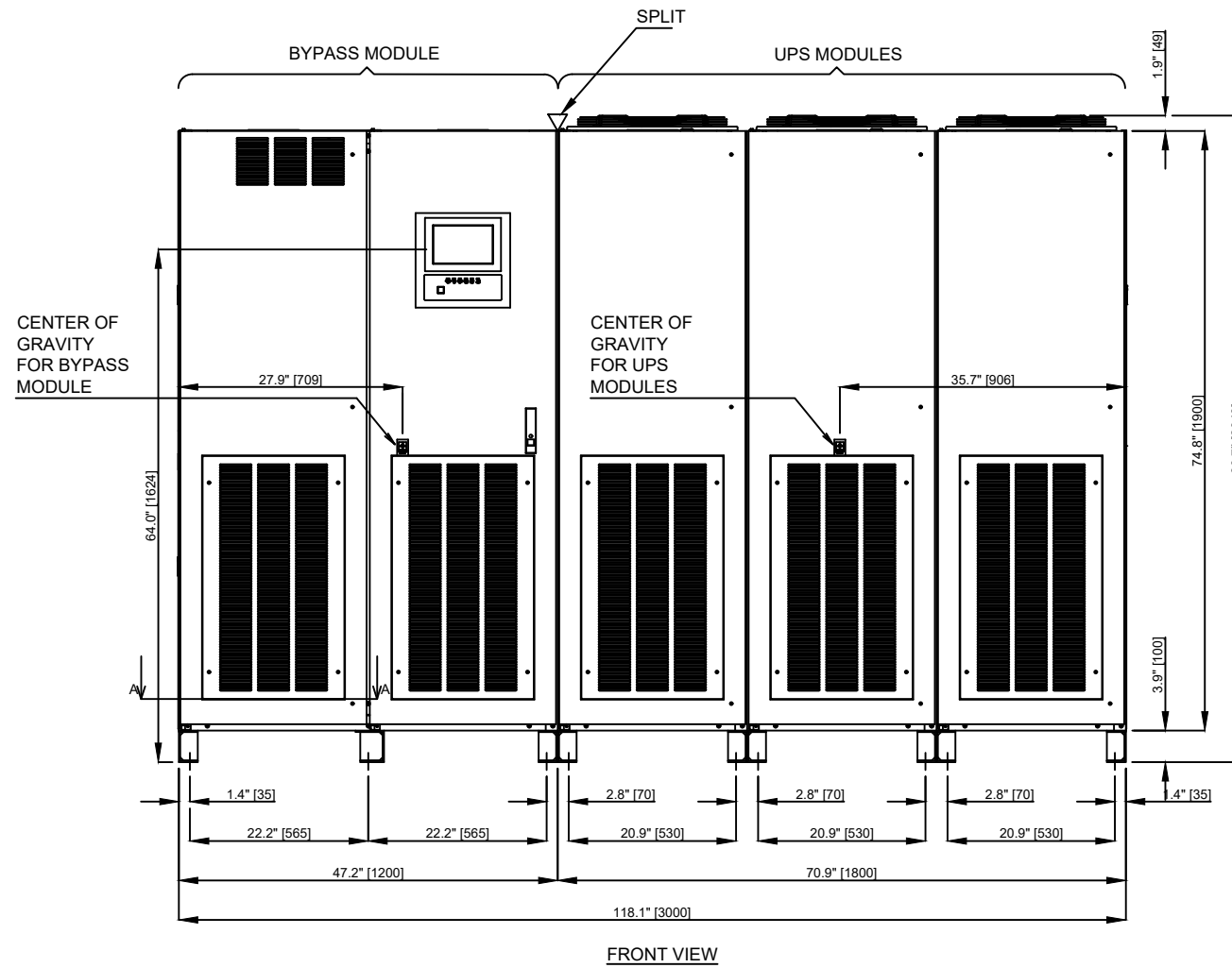
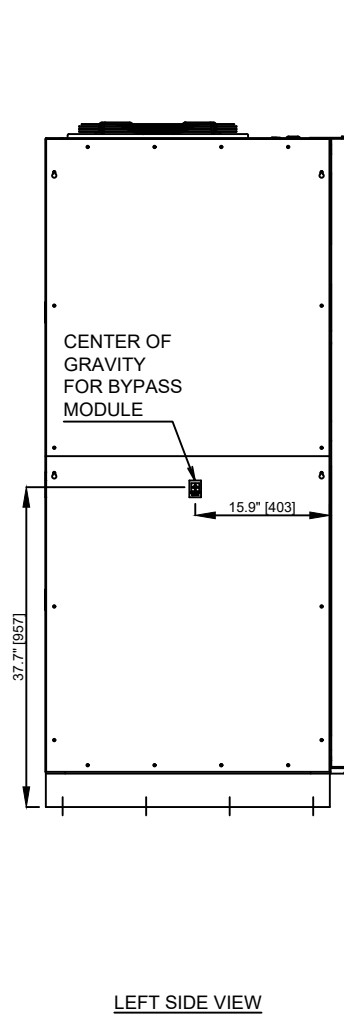
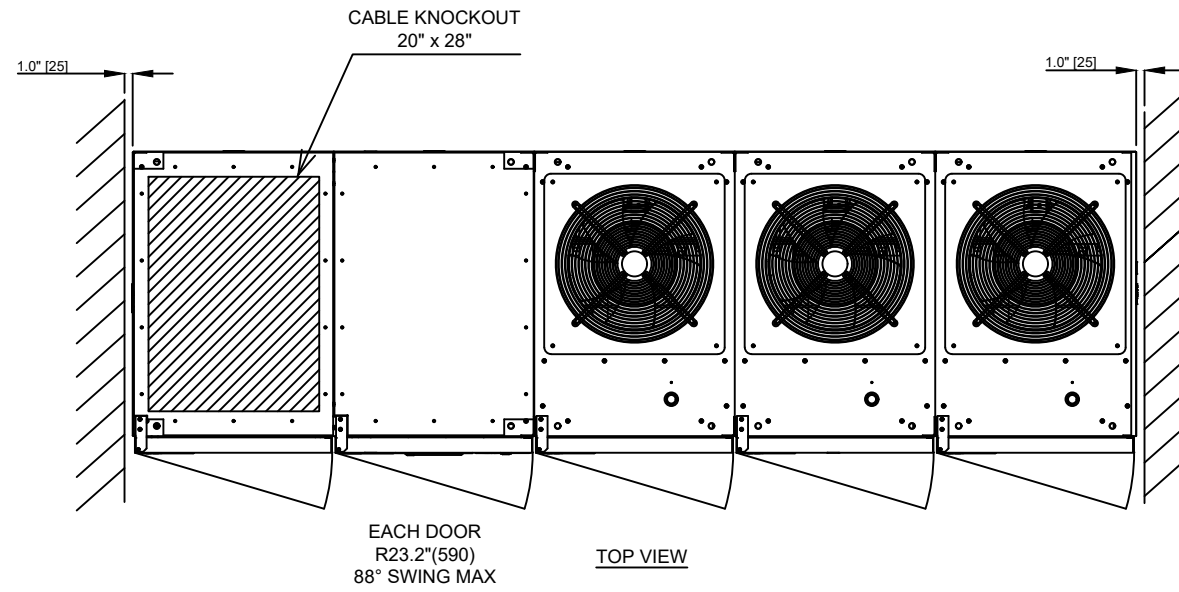
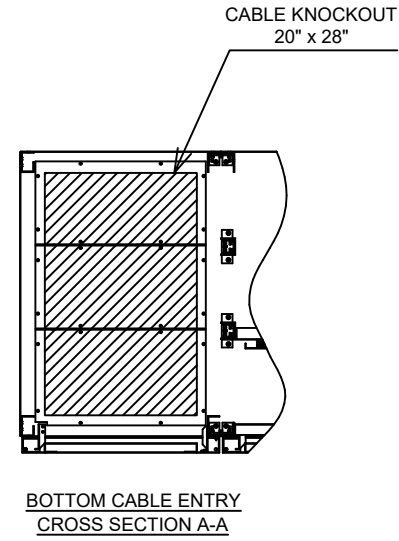
DIMENSIONS IN: IN [MM]	SCALE - NTS -	DRAFTER Z.ZAJAC	DATE 5/29/2019	 MITSUBISHI ELECTRIC
PROPRIETARY <small>This document is the property of Mitsubishi Electric Power Products, Inc. and contains proprietary and confidential information which must not be duplicated, used or disclosed other than as expressly authorized by Mitsubishi Electric Power Products, Inc.</small>		APPROVED N.RIEMER	DATE 5/29/2019	
				CORE [REFERENCE] DRAWING
			DWG. NO. UD-100968	SHEET 1 OF 7 REV. 4

NOTES

1. DIMENSIONS ARE SHOWN IN INCHES" [MILLIMETERS].
2. SIDE SPACE ' 1" [25] ' IS NOT REQUIRED WHEN SIDECARS ARE USED.
3. CABINET SHOULD BE MAINTAINED UPRIGHT WITHIN ±15° DURING HANDLING.
4. EACH BASE HAS 2 OR 4 x 0.8" [20] DIAMETER HOLES TO FIX UPS ON THE GROUND.
5. APPROXIMATE WEIGHT

UPS MODULES 4,960LBS (2,250kg)
 BYPASS MODULE 1,653LBS (750kg)

TYPE: 9900CX
 RATING: 1050KVA
 HEAT REJECTION: 112.6kBTUs/HOUR (TYPICAL)

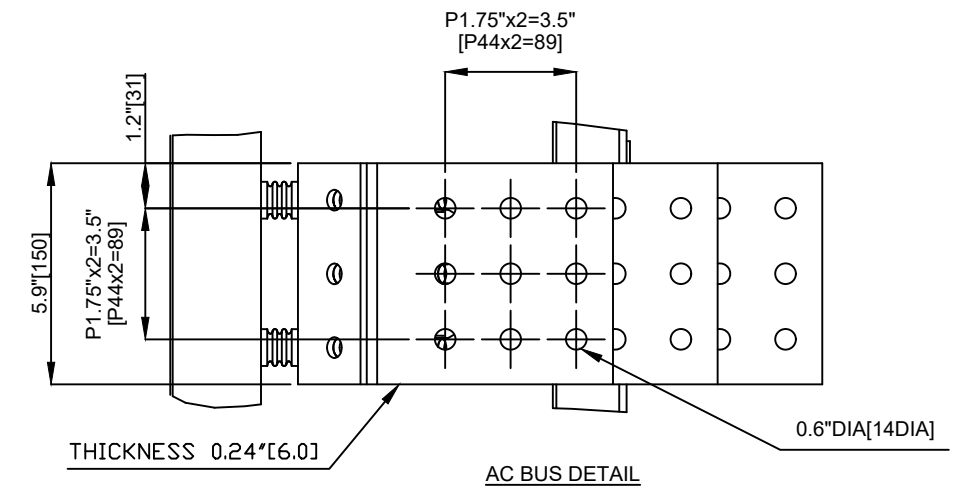
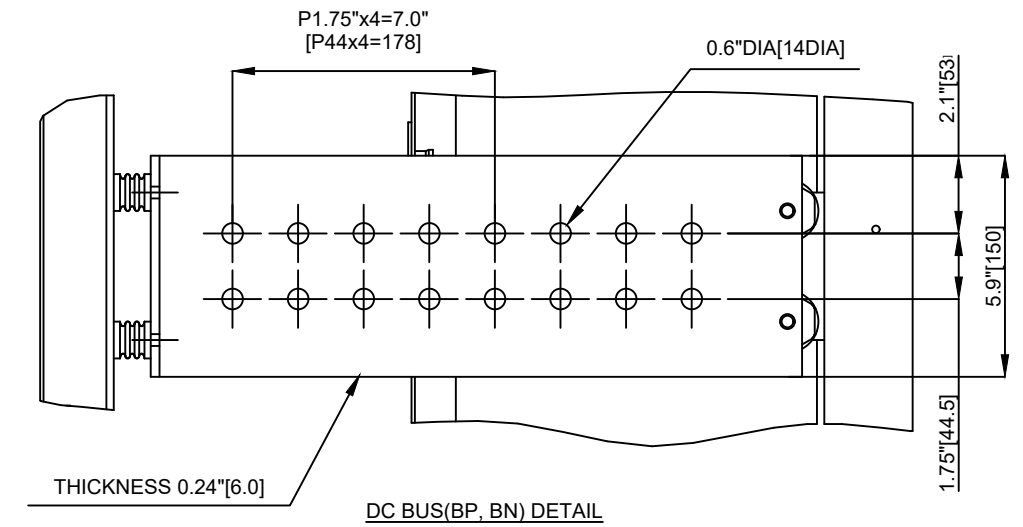
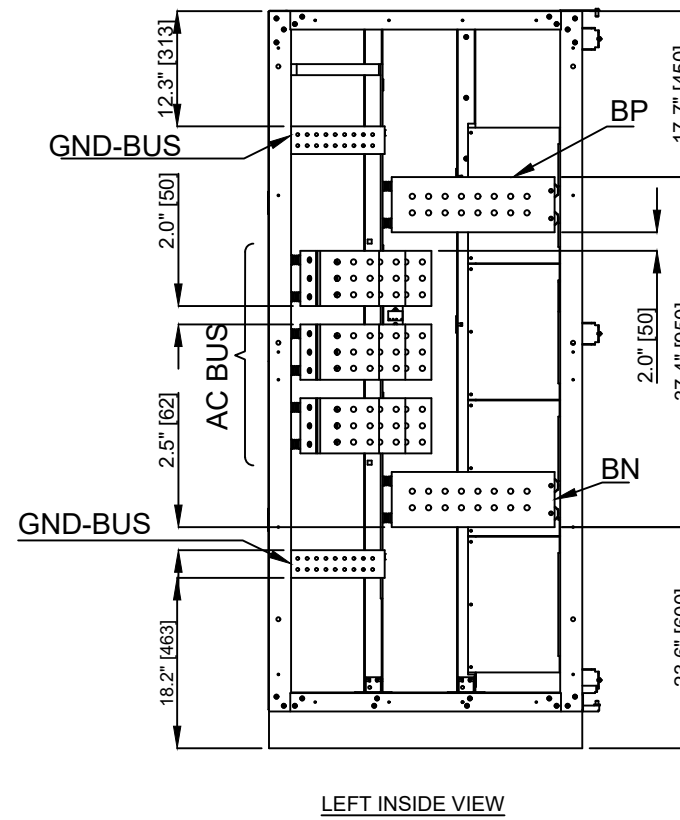
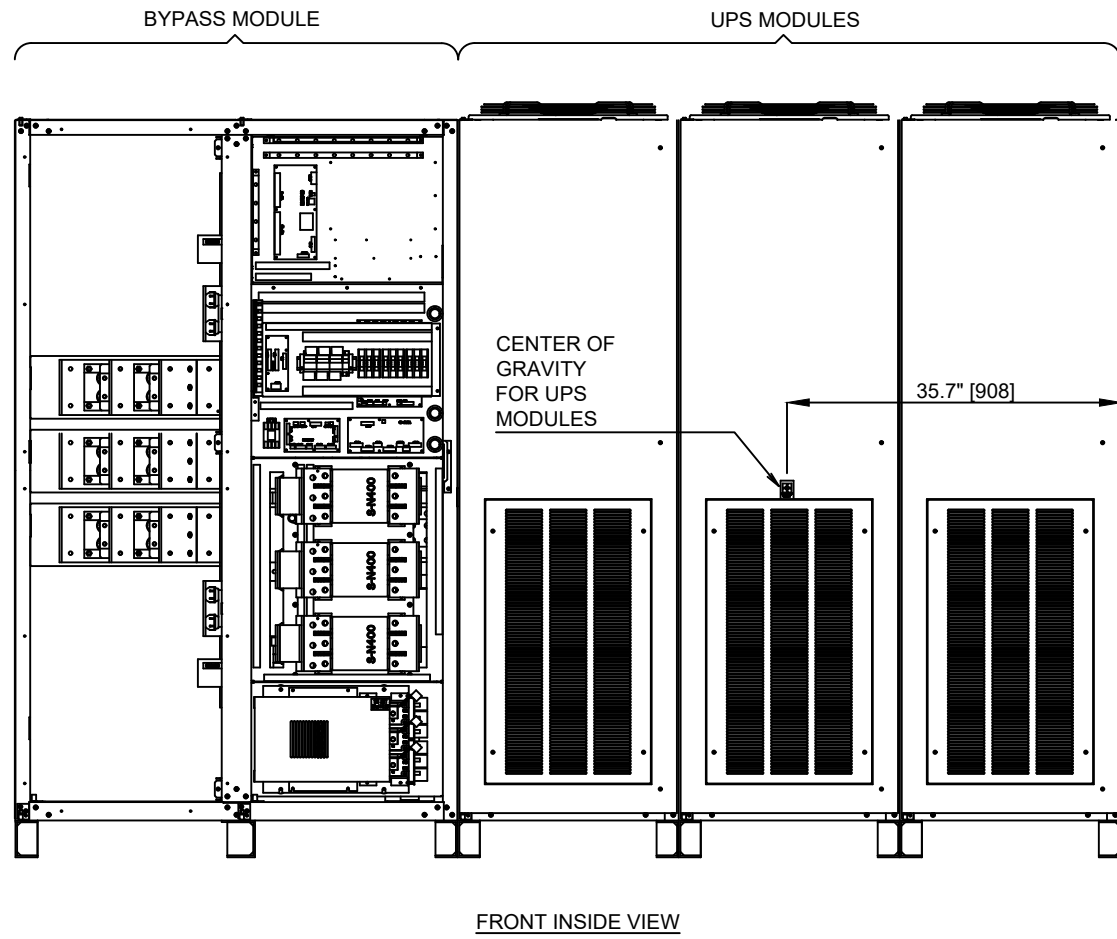
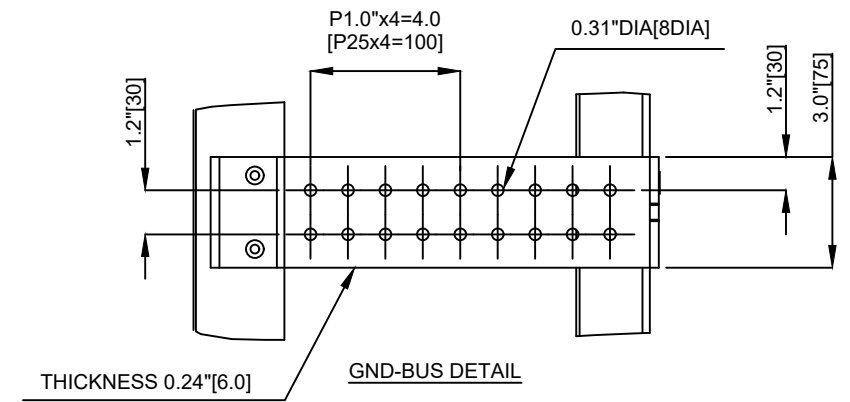
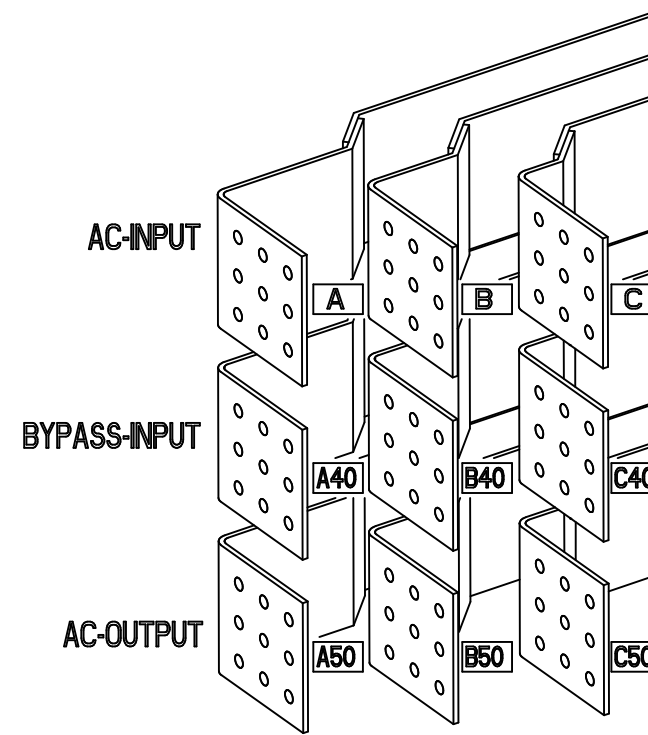
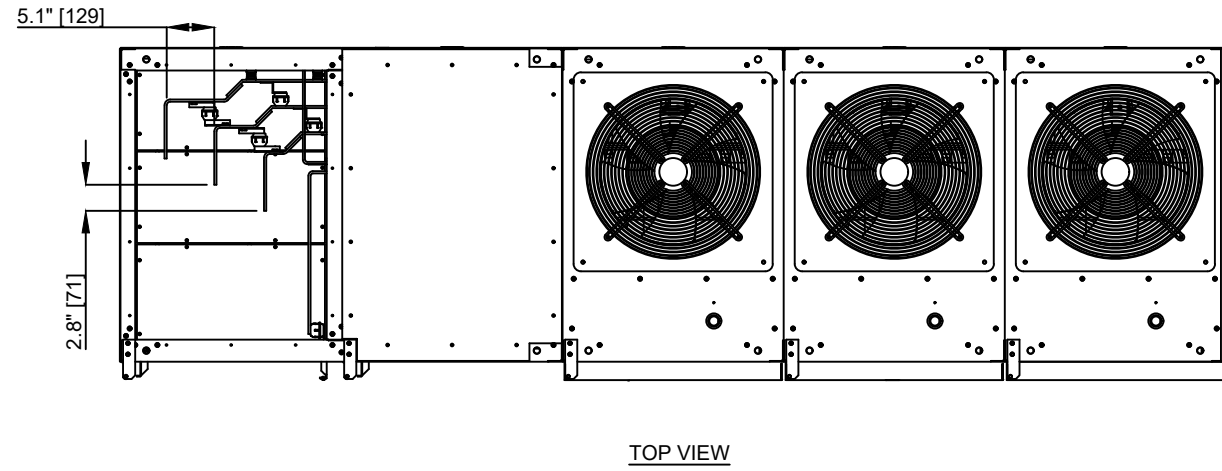


REVISIONS
0. INITIAL RELEASE PER ECN 1316 ZZA/JAC 5/29/2019
1. ADDED CONDUIT ENTRY SHEET 2; UPDATED PER ECN 1327 ZZA/JAC 6/20/19
2. ADDED TYPE, RATING, AND HEAT REJECTION; UPDATED PER ECN 1370 ZZA/JAC 7/11/2019
2. MODIFIED HMI ON SHEET 2 ZZA/JAC 4/17/2020
4. ADDED NOTES FOR 100,000,474 INSTALLATION. REF. UD-100373. J.MOTT 8/14/2020

DIMENSIONS IN: IN [MM]	SCALE - NTS -	DRAFTER Z.ZAJAC	DATE 5/29/2019	<p>MITSUBISHI ELECTRIC</p>	
PROPRIETARY <small>This document is the property of Mitsubishi Electric Power Products, Inc. and contains proprietary and confidential information which must not be duplicated, used or disclosed other than as expressly authorized by Mitsubishi Electric Power Products, Inc.</small>		APPROVED N.RIEMER	DATE 5/29/2019		TITLE OUTLINE 9900CX 1050KVA
CORE [REFERENCE] DRAWING				SHEET 2 OF 7 UD-100968	REV. 4

NOTES

- EXTERNAL WIRES OR CABLES SHALL BE PROVIDED BY CUSTOMERS FOR AC-INPUT, DC-INPUT, BYPASS-INPUT, AND AC-OUTPUT. (OUT OF MITSUBISHI PROVISION.)
- ROTATION OF A, B, AND C PHASE IS CLOCKWISE.

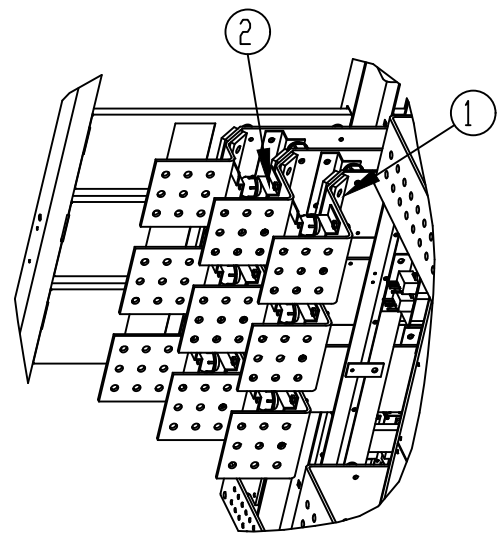
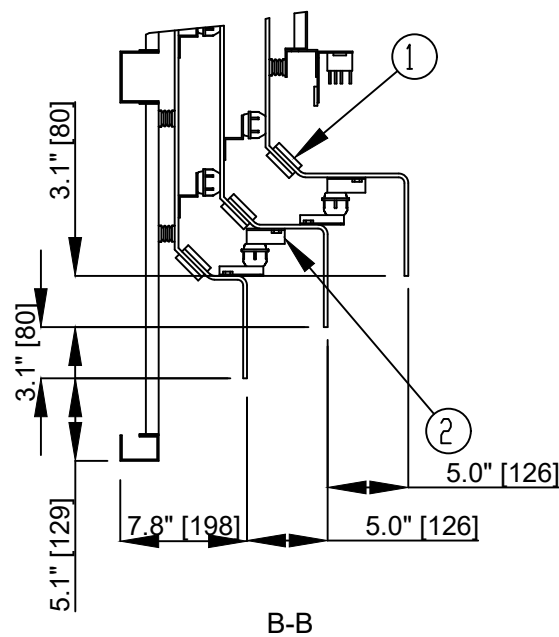


REVISIONS	DATE	BY
0. INITIAL RELEASE PER ECN 1316 ZZA/JAC 5/29/2019		
1. ADDED CONDUIT ENTRY SHEET 2; UPDATED PER ECN 1327 ZZA/JAC 6/20/2019		
2. ADDED TYPE, RATING, AND HEAT REJECTION; UPDATED PER ECN 1370 ZZA/JAC 7/11/2019		
2. MODIFIED HMI ON SHEET 2 ZZA/JAC 4/17/2020		
4. ADDED NOTES FOR 100.000.474 INSTALLATION. REF. UD-100373. J.MOTT 8/14/2020		

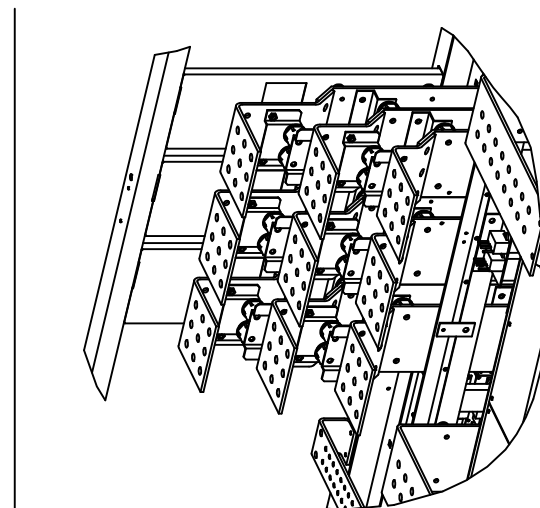
DIMENSIONS IN: IN [MM]	SCALE - NTS -	DRAFTER Z.ZAJAC	DATE 5/29/2019	<p>MITSUBISHI ELECTRIC</p>	
PROPRIETARY <small>This document is the property of Mitsubishi Electric Power Products, Inc. and contains proprietary and confidential information which must not be duplicated, used or disclosed other than as expressly authorized by Mitsubishi Electric Power Products, Inc.</small>		APPROVED N.RIEMER	DATE 5/29/2019		TITLE OUTLINE 9900CX 1050KVA
CORE [REFERENCE] DRAWING			DWG. NO.	SHEET 3 OF 7	REV.
			UD-100968		4

NOTES:

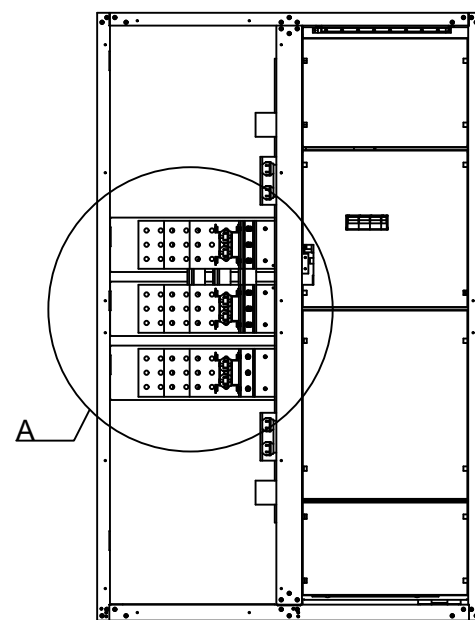
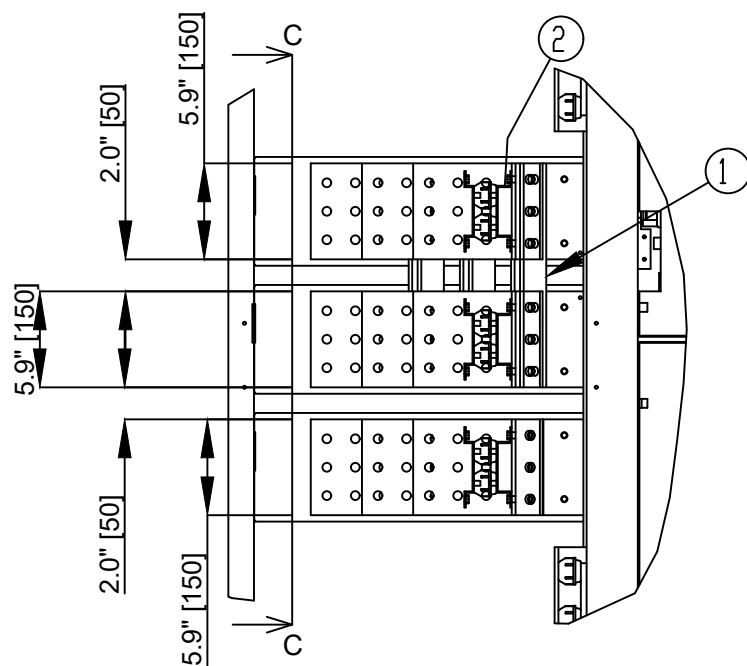
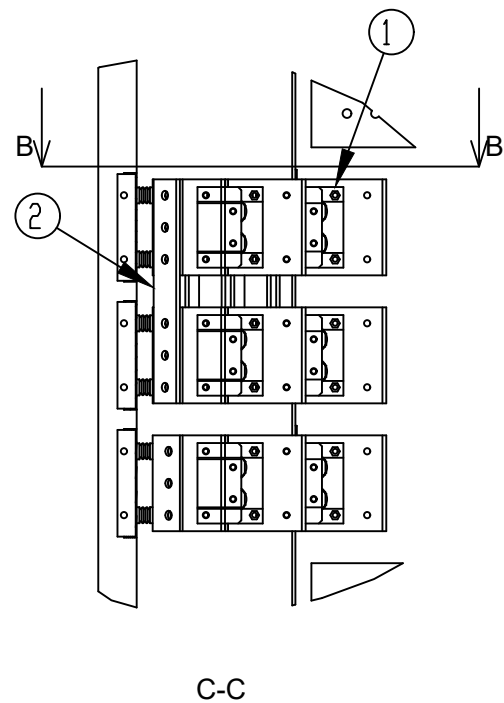
1. OPTION BUSS PART TO MAKE AC-INPUT AND BYPASS-INPUT SHORT-CIRCUITED (6PCS) OPTION.
2. PANEL PART 100.000.474 REQUIRED TO REARRANGE DIRECTION OF AC TERMINALS (6PCS). USE UD-100373 INSTALLATION INSTRUCTIONS.



FRONT-LEFT-TOP VIEW OF AC BUSES



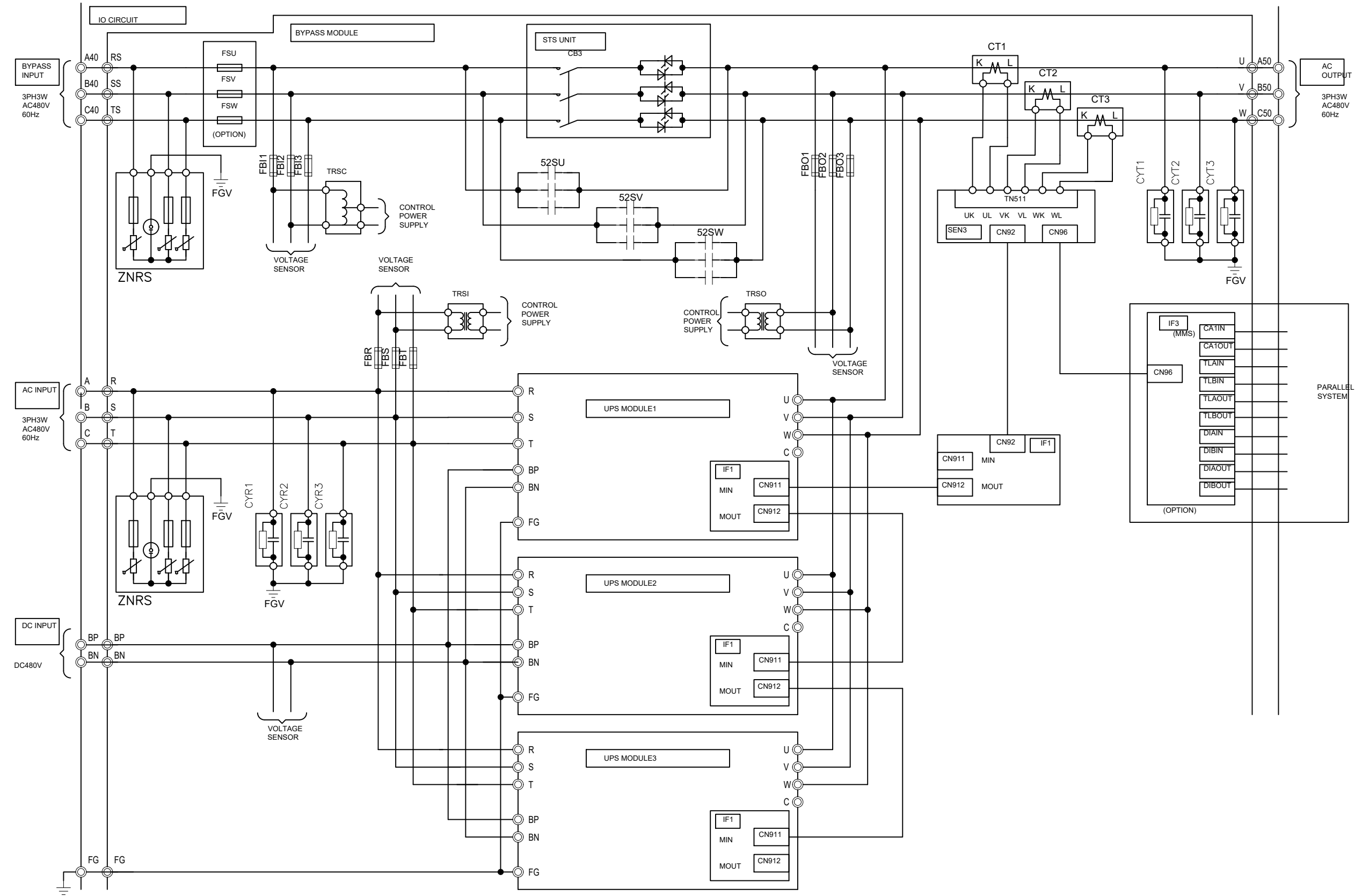
cf. WITHOUT OPTIONS



FRONT INSIDE VIEW OF BYPASS MODULE

REVISIONS
0. INITIAL RELEASE PER ECN 1316 ZZA/JAC 5/29/2019
1. ADDED CONDUIT ENTRY TO SHEET 2; UPDATED PER ECN 1327 ZZA/JAC 6/5/2019
2. ADDED TYPE, RATING, AND HEAT REJECTION; UPDATED PER ECN 1370 ZZA/JAC 7/11/2019
2. MODIFIED HMI ON SHEET 2 ZZA/JAC 4/17/2020
4. ADDED NOTES FOR 100.000.474 INSTALLATION. REF. UD-100373. J.MOTT 8/14/2020

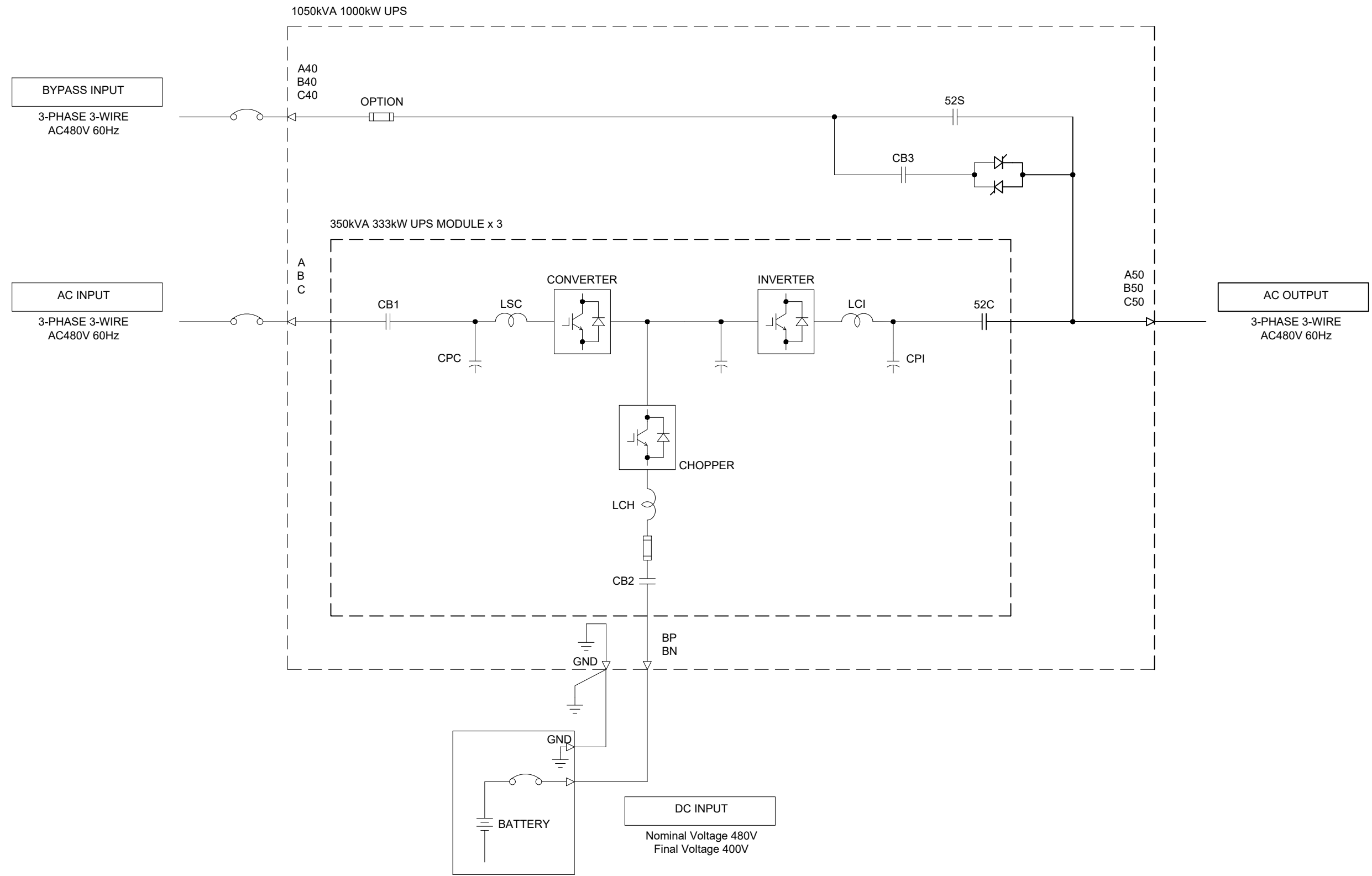
DIMENSIONS IN: IN [MM]	SCALE - NTS -	DRAFTER Z.ZAJAC	DATE 5/29/2019	<p>MITSUBISHI ELECTRIC</p>	
PROPRIETARY <small>This document is the property of Mitsubishi Electric Power Products, Inc. and contains proprietary and confidential information which must not be duplicated, used or disclosed other than as expressly authorized by Mitsubishi Electric Power Products, Inc.</small>		APPROVED N.RIEMER	DATE 5/29/2019		TITLE OUTLINE 9900CX 1050KVA
		CORE [REFERENCE] DRAWING		DWG. NO. UD-100968	SHEET 4 OF 7 REV. 4



REVISIONS

- 0. INITIAL RELEASE PER ECN 1316 ZZA/JAC 5/29/2019
- 1. ADDED CONDUIT ENTRY SHEET 2; UPDATED PER ECN 1327 ZZA/JAC 6/5/2019
- 2. ADDED TYPE, RATING, AND HEAT REJECTION; UPDATED PER ECN 1370 ZZA/JAC 7/11/2019
- 2. MODIFIED HMI ON SHEET 2 ZZA/JAC 4/17/2020
- 4. ADDED NOTES FOR 100,000,474 INSTALLATION; REF. UD-100373; J.MOTT 8/14/2020

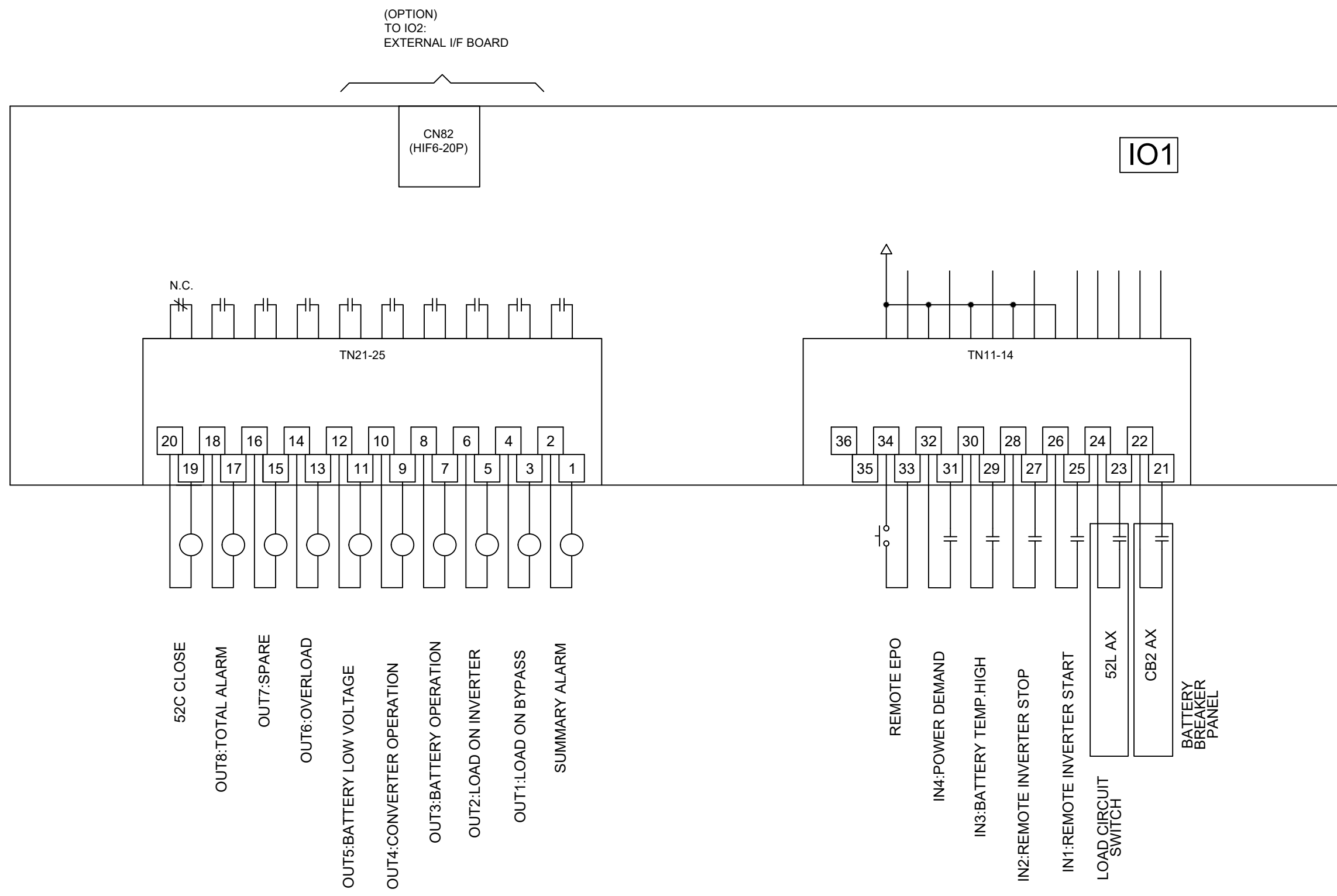
DIMENSIONS IN: IN [MM]	SCALE - NTS -	DRAFTER Z.ZAJAC	DATE 5/29/2019	MITSUBISHI ELECTRIC
<small>PROPRIETARY</small> <small>This document is the property of Mitsubishi Electric Power Products, Inc. and contains proprietary and confidential information which must not be duplicated, used or disclosed other than as expressly authorized by Mitsubishi Electric Power Products, Inc.</small>				
		APPROVED N.RIEMER	DATE 5/29/2019	
		CORE [REFERENCE] DRAWING		SHEET 5 OF 7 UD-100968
				REV. 4



REVISIONS

- 0. INITIAL RELEASE PER ECN 1316 ZZA/JAC 5/29/2019
- 1. ADDED CONDUIT ENTRY TO SHEET 2; UPDATED PER ECN 1327 ZZA/JAC 6/2/2019
- 2. ADDED TYPE, RATING, AND HEAT REJECTION; UPDATED PER ECN 1370 ZZA/JAC 7/11/2019
- 2. MODIFIED HMI ON SHEET 2 ZZA/JAC 4/17/2020
- 4. ADDED NOTES FOR 100,000,474 INSTALLATION. REF. UD-100373. J.MOTT 8/14/2020

DIMENSIONS IN: IN [MM]	SCALE: -NTS-	DRAFTER: Z.ZAJAC	DATE: 5/29/2019	<p>MITSUBISHI ELECTRIC</p>	
<small>PROPRIETARY</small> <small>This document is the property of Mitsubishi Electric Power Products, Inc. and contains proprietary and confidential information which must not be duplicated, used or disclosed other than as expressly authorized by Mitsubishi Electric Power Products, Inc.</small>		APPROVED: N.RIEMER	DATE: 5/29/2019		<p>OUTLINE</p> <p>9900CX 1050KVA</p>
<p>CORE [REFERENCE] DRAWING</p>			<p>DWG. NO. UD-100968</p>	<p>SHEET 6 OF 7</p>	<p>REV. 4</p>



REVISIONS

0. INITIAL RELEASE PER ECN 1316 ZZA/JAC 5/29/2019
1. ADDED CONDUIT ENTRY TO SHEET 2; UPDATED PER ECN 1327 ZZA/JAC 6/2/2019
2. ADDED TYPE, RATING, AND HEAT REJECTION; UPDATED PER ECN 1370 ZZA/JAC 7/11/2019
2. MODIFIED HMI ON SHEET 2 ZZA/JAC 4/17/2020
4. ADDED NOTES FOR 100.000.474 INSTALLATION. REF. UD-100373. J.MOTT 8/14/2020

DIMENSIONS IN: IN [MM]	SCALE - NTS -	DRAFTER Z.ZAJAC	DATE 5/29/2019	<p>MITSUBISHI ELECTRIC</p>	
<p>PROPRIETARY</p> <small>This document is the property of Mitsubishi Electric Power Products, Inc. and contains proprietary and confidential information which must not be duplicated, used or disclosed other than as expressly authorized by Mitsubishi Electric Power Products, Inc.</small>		APPROVED N.RIEMER	DATE 5/29/2019		<p>TITLE</p> <p>OUTLINE 9900CX 1050KVA</p>
				<p>CORE [REFERENCE] DRAWING</p>	
			DWG. NO.	SHEET 7 OF 7	REV.
			UD-100968		4