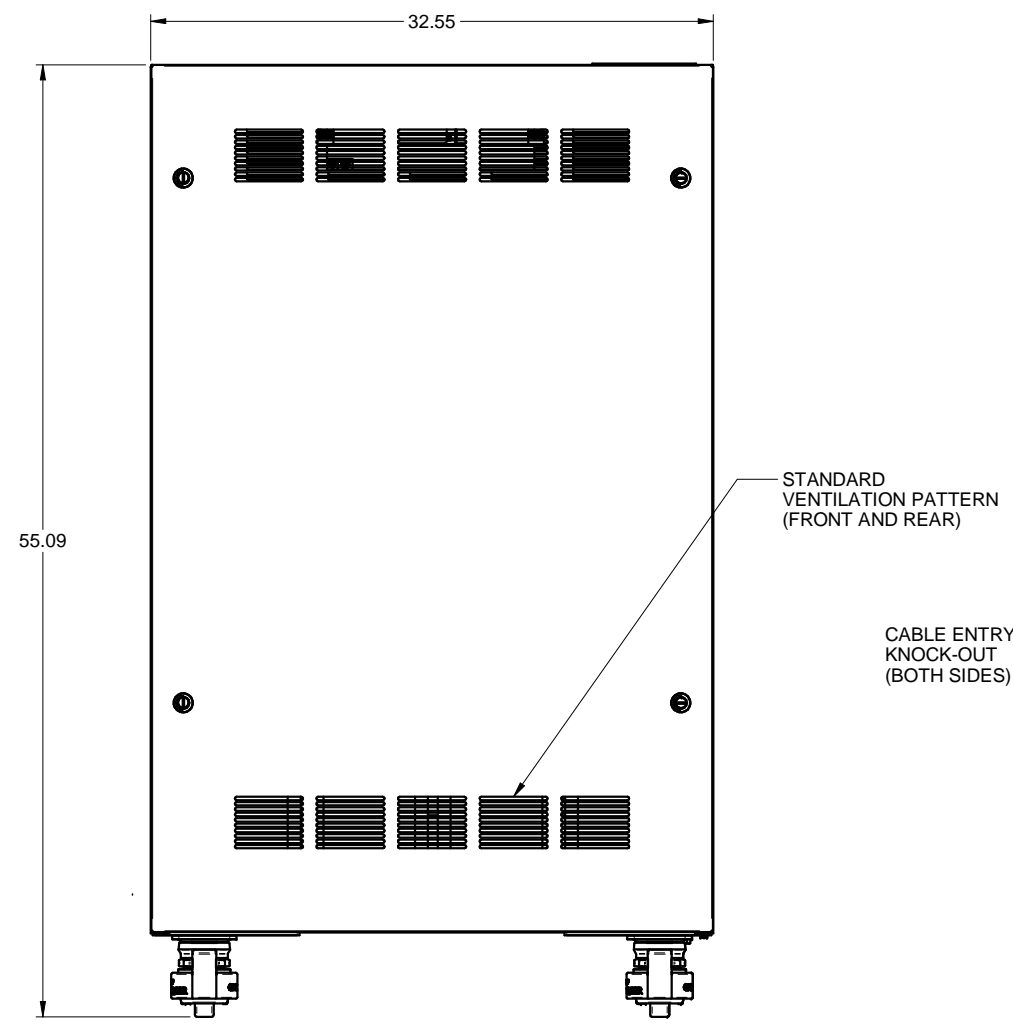


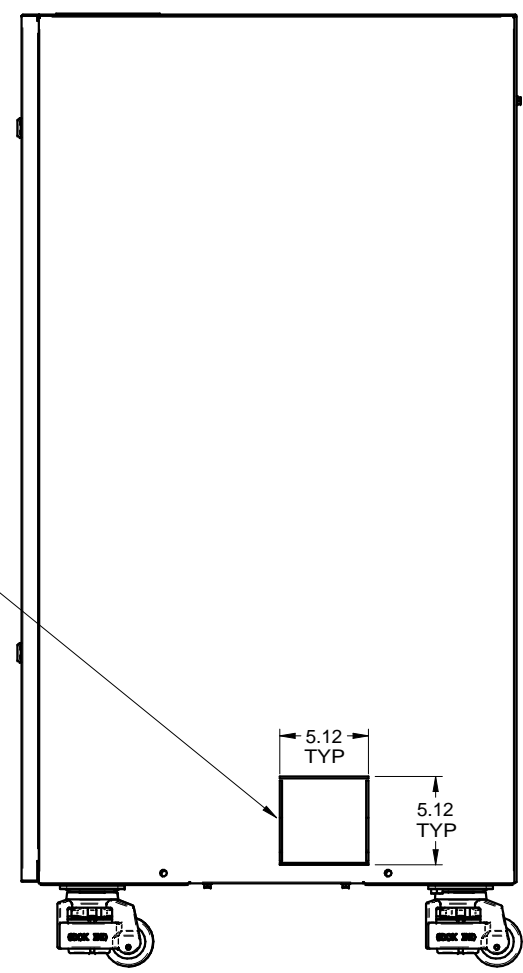
TOP



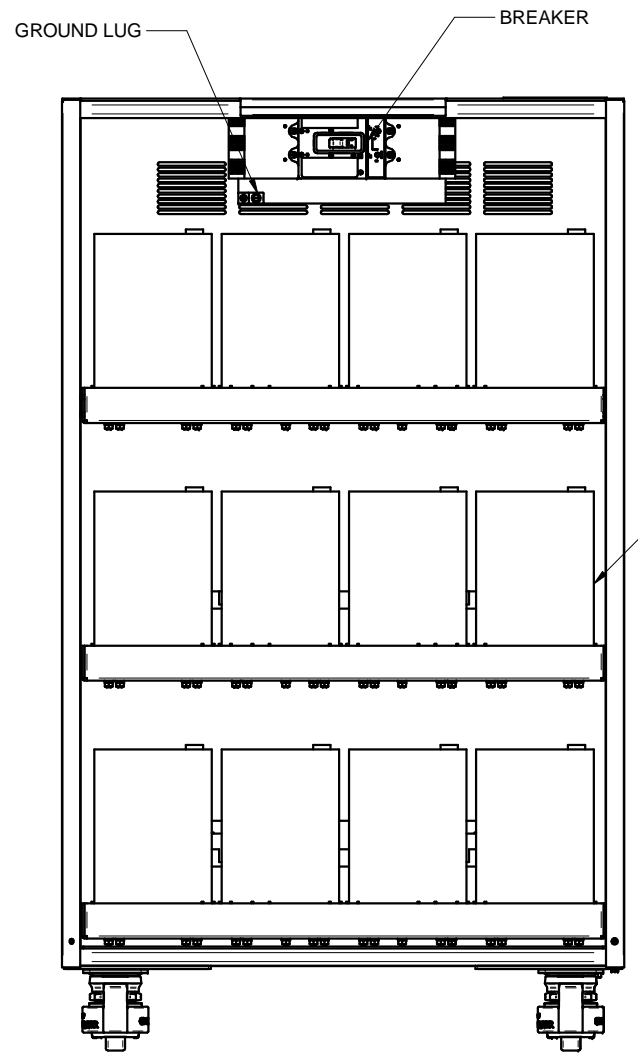
FRONT

**1100A BATTERY CABINETS**

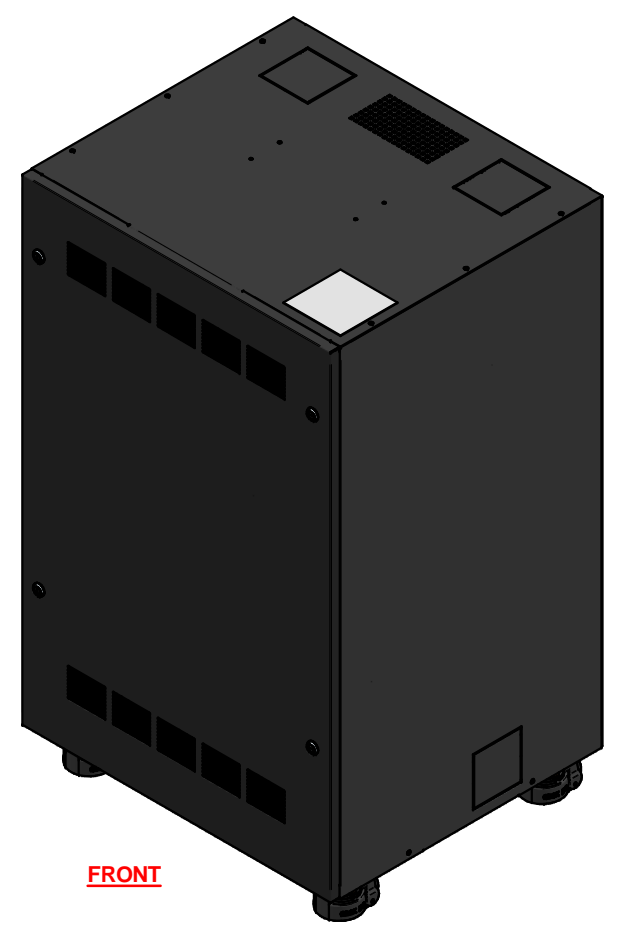
BCM04	# BATTERIES	BATTERY MFGR.	BATTERY SIZE (WATTS/CELL)	kVA	DISC.	AMPS	SEISMIC
	24	C=C&D	080	010	B3=BKR	050	BLANK
		E=ENERSYS	100	020		090	Z=SEISMIC
		CPL=C&D PURE LEAD PLUS	150	030		125	
			205	040		175	
			300	050		200	
			350				
			400				
			505				
			540				



RIGHT SIDE



FRONT DOOR NOT SHOWN



FRONT

- CABINET NOTES:**
- NEMA 1 ENCLOSED BATTERY CABINET.
  - INTERIOR & EXTERIOR FINISH IS N1.5 (BLACK) POWDER COAT, OVEN BAKED FOR CHIP AND CORROSION RESISTANT FINISH. BATTERIES CAN BE ACCESSED FROM FRONT OR REAR.
  - CABINET IS SUPPLIED ON SKID WITH HEAVY DUTY RAMP FOR EASY UNLOADING. CABINET IS TO BE MOVED USING THE CABINET CASTERS.
  - FRONT DOOR IS LIFT OFF.
  - 36 IN. CLEARANCE REQUIRED IN FRONT OF CABINET.
  - 6 IN. CLEARANCE REQUIRED AT REAR OF CABINET.
  - BATTERY CABINET IS LISTED UL 1778.
  - ALL BREAKER AND GROUND LUG CONNECTIONS ARE MECHANICAL LUG TYPE.
  - GROUND LUG ACCEPTS 1/0-14 AWG WIRE.
  - BATTERY CABINET WEIGHT:

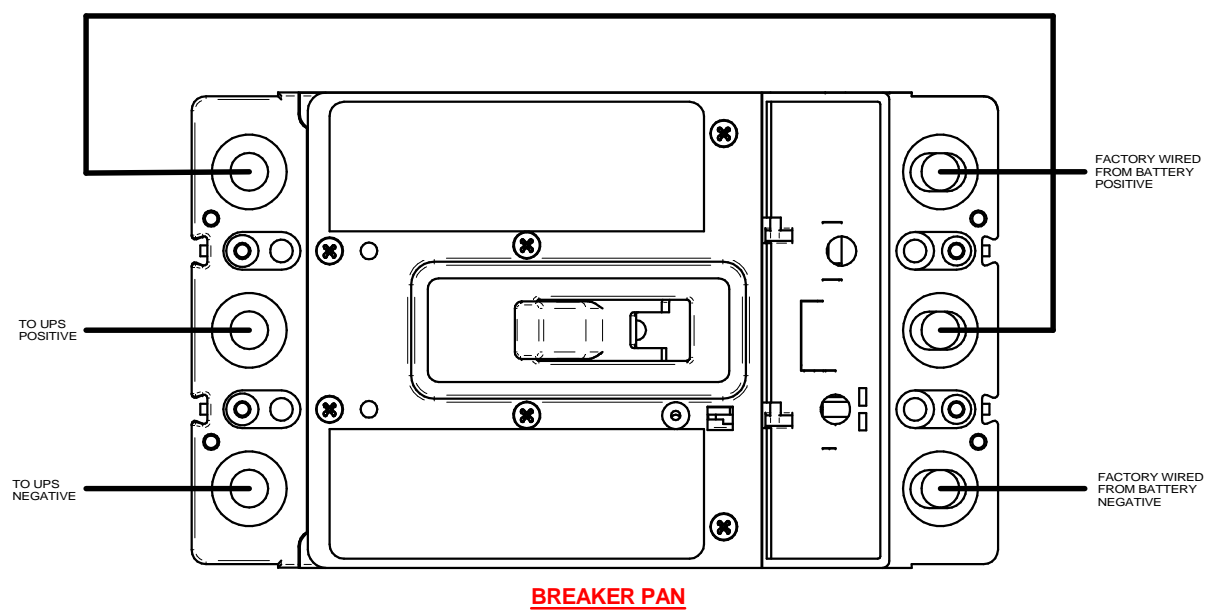
350 LBS. CABINET ONLY  
3500 LBS. FULLY LOADED (BASED ON 540 WATTS/CELL)

11. UPS-BATTERY CABLE KIT OPTIONAL. CONSULT FACTORY.

**1100A BATTERY CABINET**

REVISIONS	DATE	BY	DESCRIPTION
0. RELEASED FOR CONSTRUCTION.	8/3/2016	P/GUERRIERI	
1. CHANGE TO PART NUMBER TABLE.	12/13/2017	Z.ZAJAC	
2. PER ECN 683	2/21/2018	I.MARTORELL	
3. PER DER #79, ADDED BREAKER TABLE.	5/2/2018	Z.ZAJAC	
4. REVISED TO PROPERLY SHOW BATTERY LAYOUT	5/30/2018	Z.ZAJAC	
5. UPDATED BATTERY LAYOUT NUMBERING	5/31/2018	Z.ZAJAC	
6. BATTERY SIZE TABLE REVISED	6/4/2018	J.MENDEZ	
14. ADDED CPL TO BATTERY TABLE	11/25/2024	N.POLKA	

DIMENSIONS IN: IN [MM] (REF)	SCALE - NTS -	DRAFTER P.GUERRIERI	DATE 12/13/17
<small>PROPRIETARY</small> This document is the property of Mitsubishi Electric Power Products, Inc. and contains proprietary and confidential information which must not be duplicated, used or disclosed other than as expressly authorized by Mitsubishi Electric Power Products, Inc.		APPROVED N.RIEMER	DATE 12/13/17
CORE/REFERENCE DRAWING (IF APPLICABLE) UD-100528		TITLE <b>1100A BATTERY CABINET</b>	
DWG. NO. <b>UD-100528(S)</b>		SHEET 1 OF 2 REV. <b>14</b>	



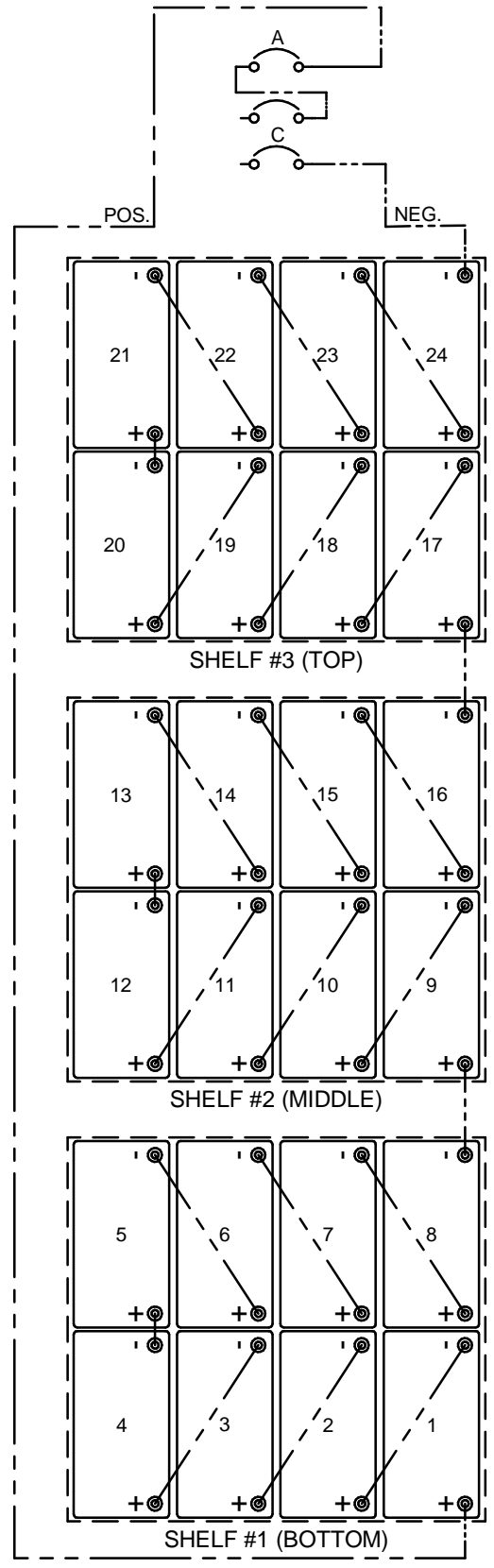
EATON SERIES G BREAKER SIZING					
BREAKER SIZE AMPS	50A	90A			
A.I. CRATING, 250DC	42,000	42,000			
A.I. CRATING, 500DC	50,000	50,000			
OUTPUT LUG SIZE	(1) #14-1/0	(1) #6-3/0			

BREAKER SIZE AMPS	90A	125A	175A	200A	225A
A.I. CRATING, 250DC	42,000	42,000	42,000	42,000	42,000
A.I. CRATING, 600DC	50,000	50,000	50,000	50,000	50,000
OUTPUT LUG SIZE	(1) #4-350	(1) #4-350	(1) #4-350	(1) #4-350	(1) #4-350

EATON SERIES G BREAKER ACCESSORY CONTACT RATING					
VOLTAGE	125 VDC	125/250 VAC	600 VAC		
AUXILLARY SWTCH	1 AMP	5 AMPS	2 AMPS		
BELL ALARM	1 AMP	5 AMPS	2 AMPS		

SQUARE D POWER PACT J BREAKER SIZING					
BREAKER SIZE AMPS	100A	125A	150A	175A	200A
A.I. CRATING, 250DC	20,000	20,000	20,000	20,000	20,000
A.I. CRATING, 500DC	20,000	20,000	20,000	20,000	20,000
OUTPUT LUG SIZE	(1) #14-4/0	(1) #14-4/0	(1) #14-4/0	(1) #14-4/0	(1) 3/0-350

SQUARE D POWERPACT J ACCESSORY CONTACT RATING					
VOLTAGE	24 VDC	48 VDC	110-250 VDC	24-690 VAC	
AUXILLARY SWTCH	6 AMPS	2.5 AMPS	0.6 AMPS	6 AMPS	
BELL ALARM	6 AMPS	2.5 AMPS	0.6 AMPS	6 AMPS	



**BATTERY INTERCONNECT**

- CABINET NOTES:**
1. ALL INTERNAL WIRING IS UL LISTED.
  2. BREAKER IS UL LISTED
  3. BATTERY CABINETS WITH BREAKERS ARE SHIPPED WITH BREAKER IN THE TRIPPED POSITION.
  4. CABLES KITS FROM BATTERY CABINET TO UPS SYSTEM ARE AVAILABLE UPON REQUEST.
  5. ALL CONTROL WIRING IS POWERED FROM AN OUTSIDE SOURCE.
  6. ALL BREAKER, GROUND LUG, AND FUSE HOLDER CONNECTIONS ARE MECHANICAL LUG TYPE. THESE CONNECTIONS ACCEPT BARE WIRE.
  7. FOR BATTERY TORQUE SPEC REFER TO LABEL ON BATTERY CASE.
  8. FOR CIRCUIT BREAKER TORQUE INFORMATION REFER TO LABEL ON BREAKER CASE.

REVISIONS	DESCRIPTION	DATE
0.	RELEASED FOR CONSTRUCTION. P/GUERRIERI	8/3/2016
1.	CHANGE TO PART NUMBER TABLE. Z.ZAJAC	12/13/2017
2.	PER ECN 683 I.MARTORELL	2/21/2018
3.	PER DER #79, ADDED BREAKER TABLE. Z.ZAJAC	5/2/2018
4.	REVISED TO PROBERLY SHOW BATTERY LAYOUT BATTERY LAYOUT Z.ZAJAC	5/30/2018
5.	UPDATED BATTERY LAYOUT NUMBERING Z.ZAJAC	5/31/2018
6.	BATTERY SIZE TABLE REVISED J.MENDEZ	6/4/2018
14.	ADDED CPL TO BATTERY TABLE N.POLKA	11/25/2024

DIMENSIONS IN: IN [MM] (REF)	SCALE - NTS -	DRAFTER P.GUERRIERI	DATE 12/13/17	<p><b>MITSUBISHI ELECTRIC</b>   <b>MITSUBISHI ELECTRIC POWER PRODUCTS, INC.</b></p>
<p><b>PROPRIETARY</b> This document is the property of Mitsubishi Electric Power Products, Inc. and contains proprietary and confidential information which must not be duplicated, used or disclosed other than as expressly authorized by Mitsubishi Electric Power Products, Inc.</p>		APPROVED N.RIEMER	DATE 12/13/17	
<p>CORE/REFERENCE DRAWING (IF APPLICABLE) UD-100528</p>		<p>TITLE <b>1100A BATTERY CABINET</b></p>		<p>DWG. NO. <b>UD-100528(S)</b></p>
		<p>SHEET 2 OF 2</p>		<p>REV. <b>14</b></p>