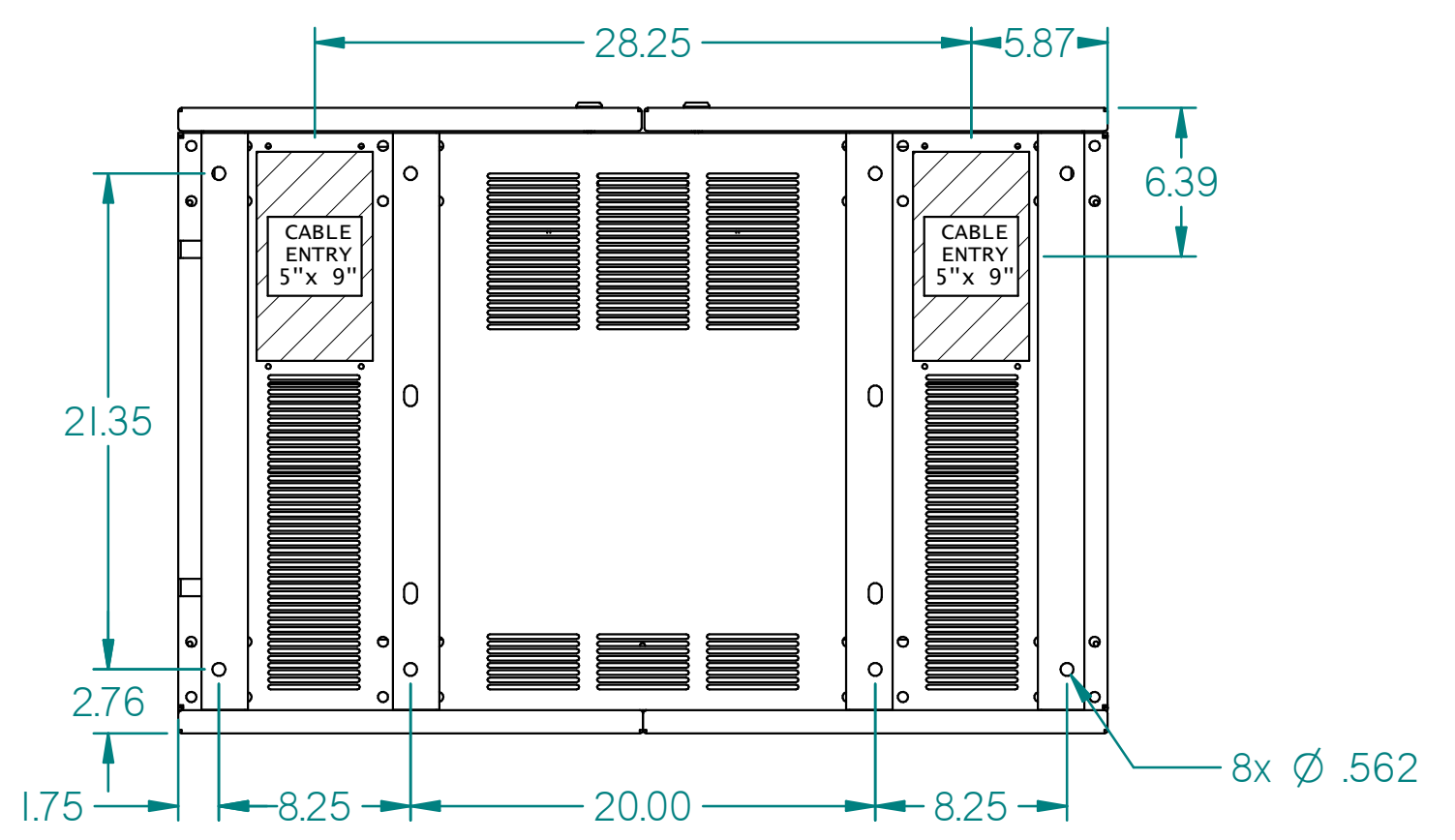


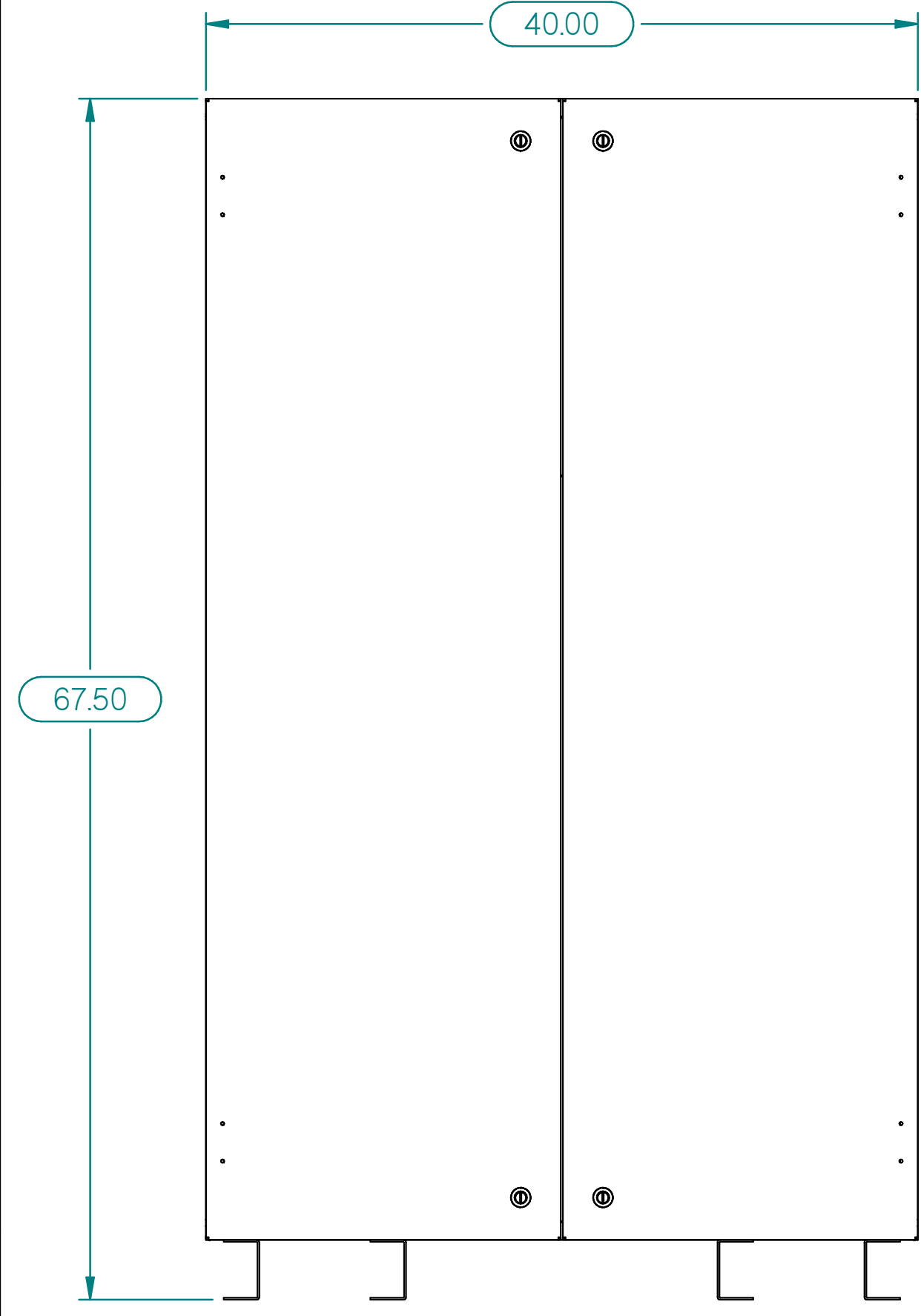
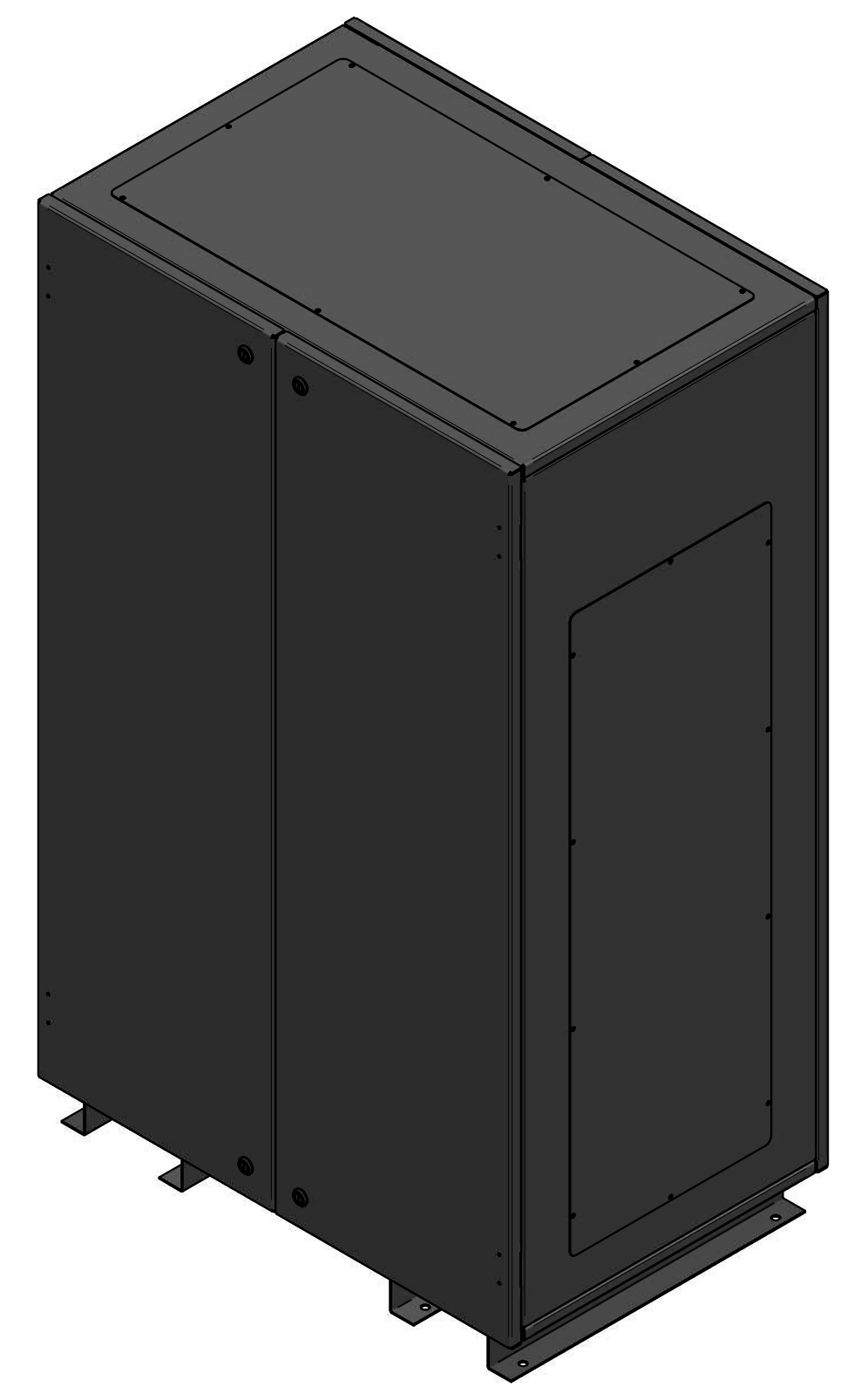
TOP VIEW



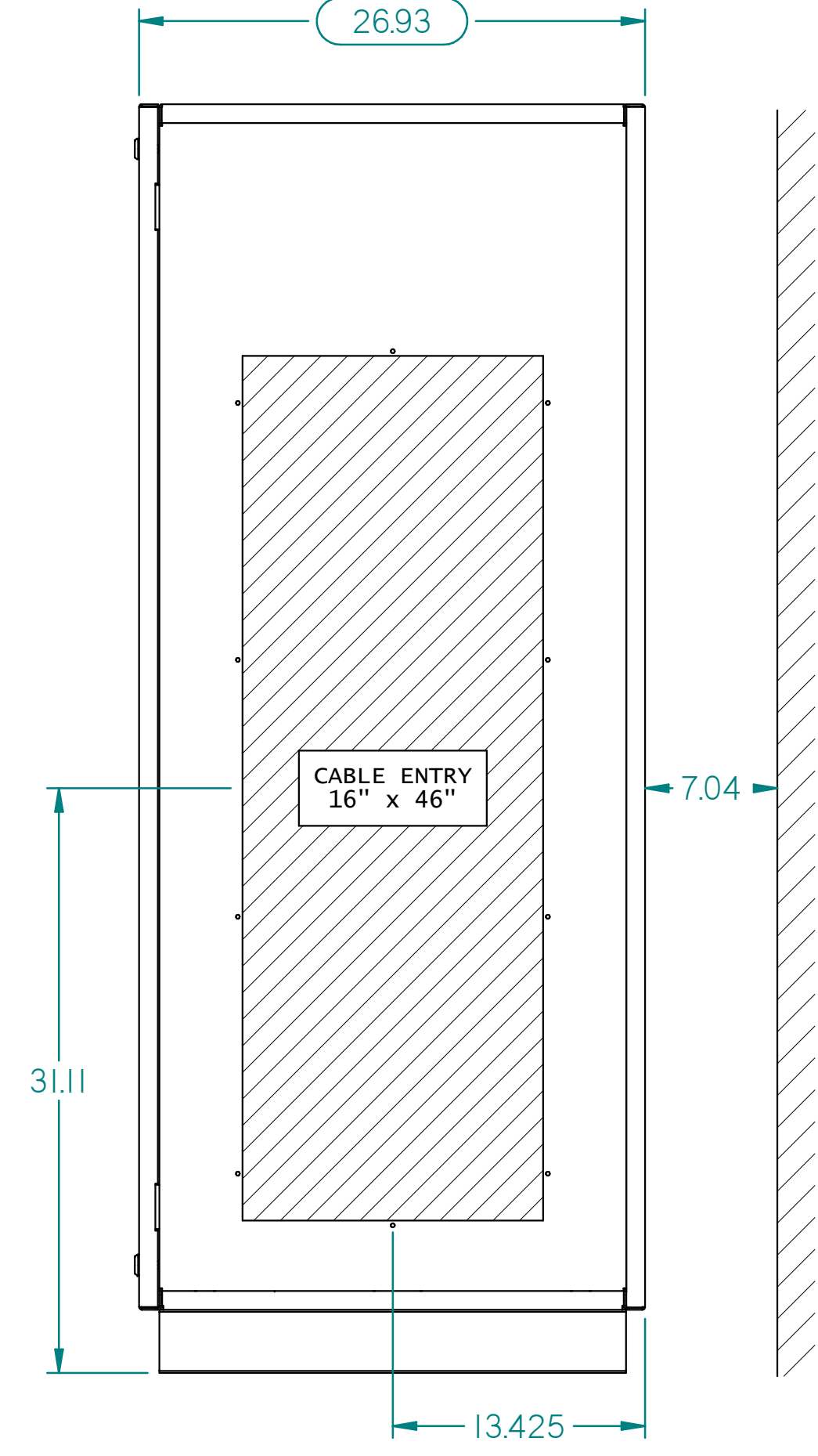
BOTTOM VIEW

PART NUMBER:
 UD-100191- X X X X X X X
KVA OF UNIT X
BREAKER MANUFACTURER X
INTERLOCK X
PRIMARY VOLTAGE X
TRANSFORMER X
DISTRIDUTION X

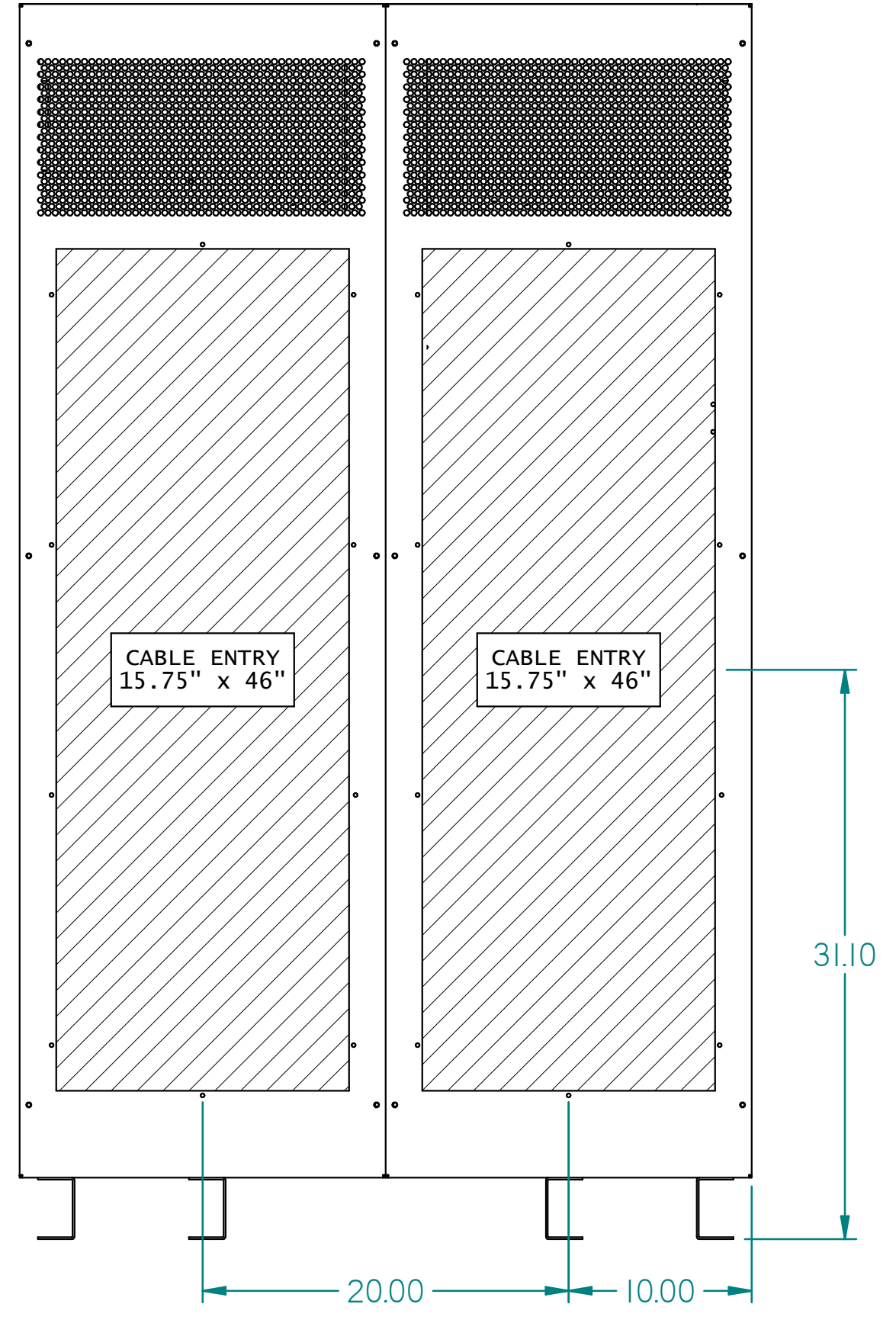
0 - NONE
 C - CASTERS
 0 - NO XFMR
 4 - 480V
 6 - 600V
 N - NONE
 A - ALUMINUM
 N - NONE
 M - (2) 42-POLE DIST. W/ DISC. BREAKERS
 B - (2) SUB-FEED BREAKERS
 F - (4) SUB-FEED BREAKERS
 P - (2) 42-POLE DIST. W/ DISC. BREAKERS & (2) SUB-FEED BREAKERS



FRONT VIEW



RIGHT SIDE VIEW



REAR VIEW

- NOTES:**
- MULTIPURPOSE CABINET IS DESIGNED TO INTEGRALLY ATTACH TO THE RIGHT SIDE OF THE 1100B UPS.
 - MULTIPURPOSE CABINET TOTAL WEIGHT: 1,370LB w/ XFMR & 603LB w/o
 - ATTACH MULTIPURPOSE CABINET TO UPS VIA (4) M8 x 25MM BOLTS. (SUPPLIED BY OTHERS)
 - CUSTOMER CONNECTIONS: (2) NEMA 2 HOLE PROVISIONS PER PHASE.
 - IF OPTIONAL CASTERS ARE USED, THE OVERALL CABINET HEIGHT WILL REMAIN THE SAME.
 - ALL CONFIGURATIONS ARE RATED 10KA INTERRUPTING CURRENT.
 - THIS UNIT IS UL,CUL LISTED.

REV	DESCRIPTION	DATE
0	INITIAL RELEASE	10/01/12
1	ADDED 2 EXTRA DISTRIBUTION BREAKERS	06/11/13
2	REVISED CIRCUIT BREAKER TABLE	02/27/14
3	GENERAL REVISIONS	06/23/14
4	ADDED INPUT/BYPASS JUMPERS	09/30/15
5	ADDED NOTE FOR UL AND CUL LISTING	01/29/2016
6	MADE CHANGES TO THE ELECTRICAL SCHEMATIC SO CUSTOMER CONNECTION ARE CLEAR	10/26/2016

DIM. IN	IN [MM]	SCALE	NTS	DRAFTER	G. JOHNSTON	DATE	10/01/12
PROPRIETARY This document is the property of Mitsubishi Electric Power Products, Inc. and contains proprietary and confidential information which must not be duplicated, used or disclosed other than as expressly authorized by Mitsubishi Electric Power Products, Inc.				CHECKED	E. FALK	DATE	10/01/12
REF DWG. NO.				ENGINEER	E. FALK	DATE	10/01/12
FILE LOCATION:				APPROVED	E. FALK	DATE	10/01/14
MITSUBISHI ELECTRIC UNINTERRUPTABLE POWER SUPPLIES						TITLE DIAMOND PLUS 1100B MULTIPURPOSE CABINET	
DWG. NO.						SHEET 1 OF 11	
UD-100191S						REV. 6	

F

E

D

C

B

A

4

4

3

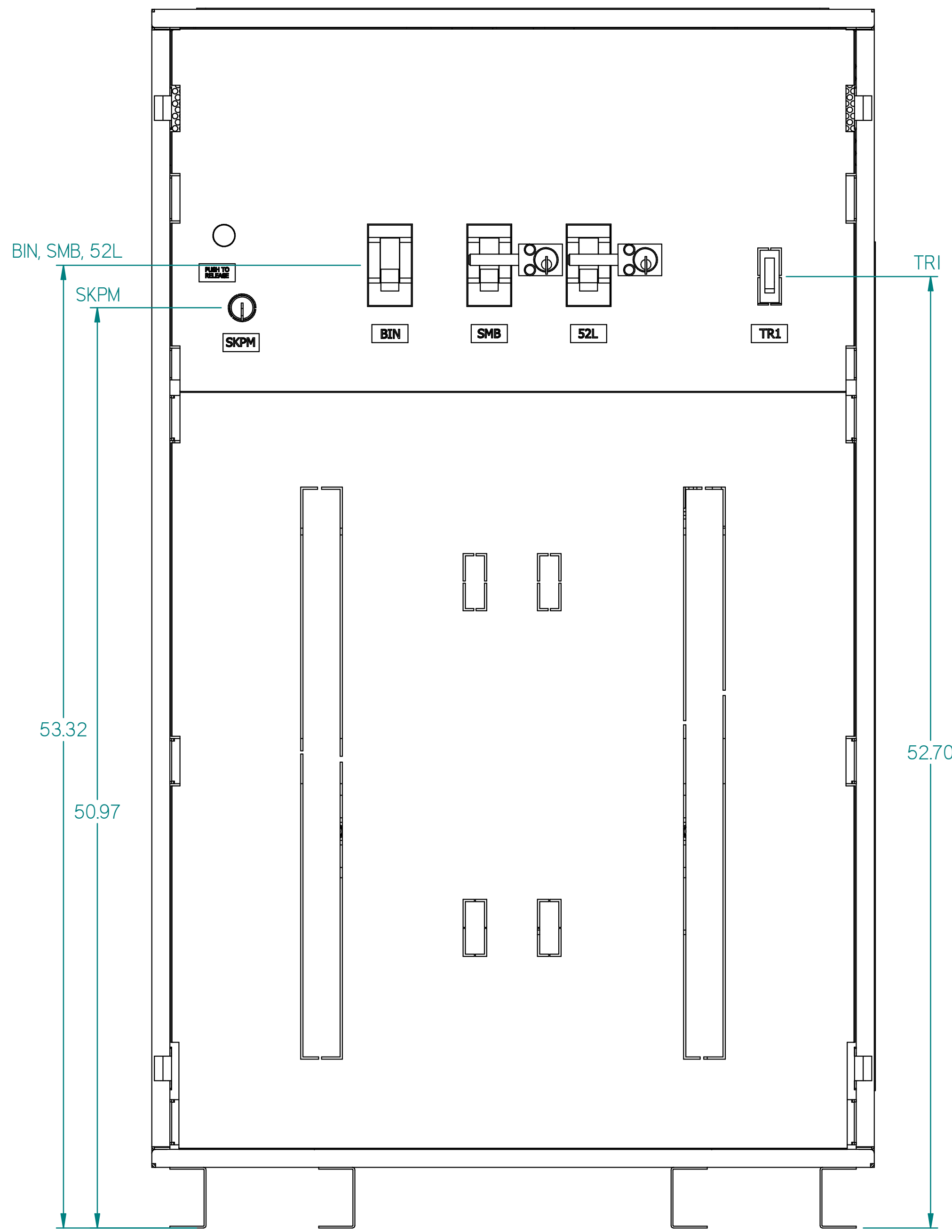
3

2

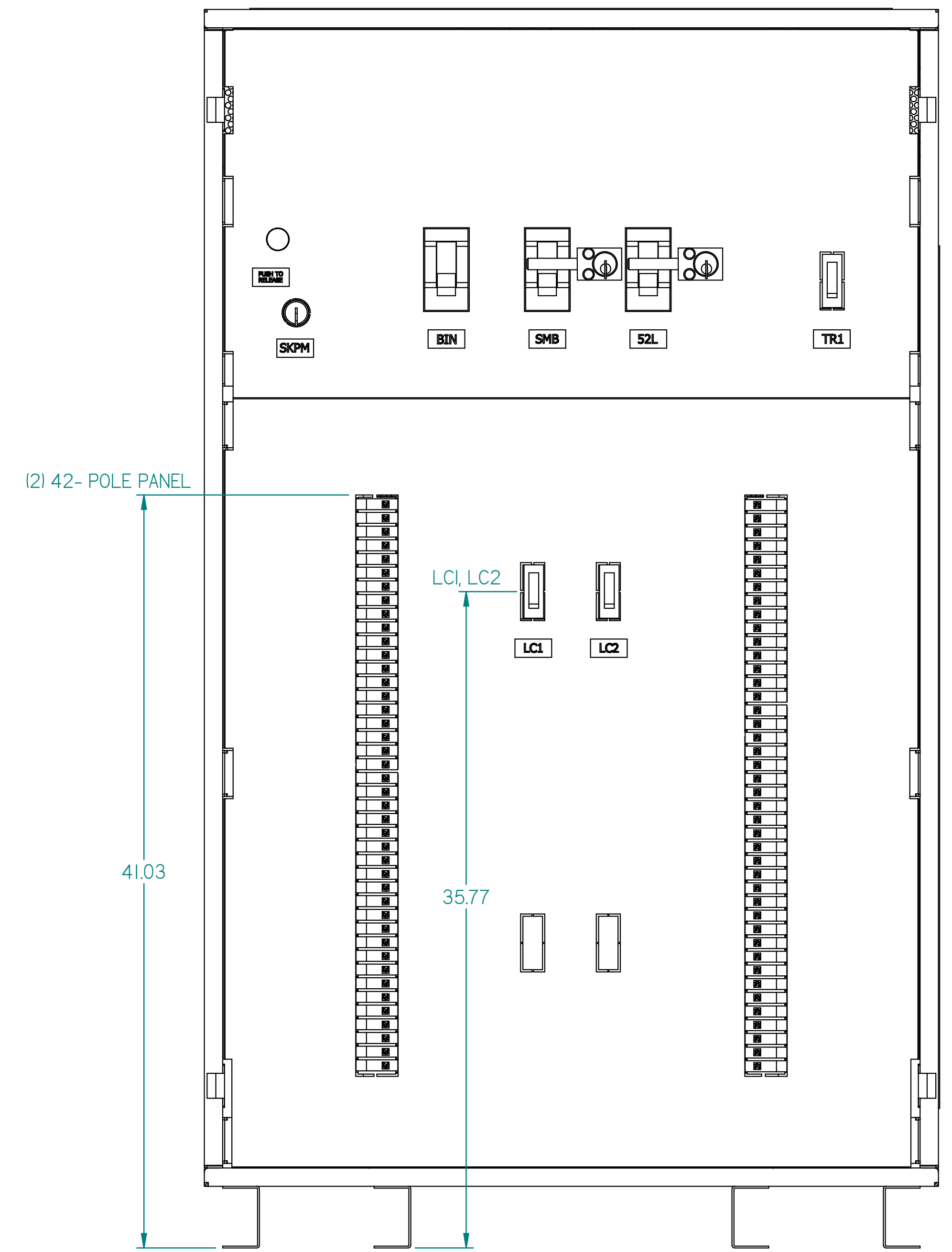
2

1

1



MULTIPURPOSE CABINET
(DOORS REMOVED)



MULTIPURPOSE CABINET w/ (2) 42-POLE DISTRIBUTION w/ DISCONNECT BREAKER
(DOORS REMOVED)

REVISIONS	DIM.	IN	IN	SCALE	DRAFTER	DATE		
			[MM]		G. JOHNSTON			
	<small>PROPRIETARY This document is the property of Mitsubishi Electric Power Products, Inc. and contains proprietary and confidential information which must not be duplicated, used or disclosed other than as expressly authorized by Mitsubishi Electric Power Products, Inc.</small>						CHECKED	DATE
							ENGINEER	DATE
	REF DWG. NO.				APPROVED	DATE		
	FILE LOCATION:							


MITSUBISHI ELECTRIC
 UNINTERRUPTIBLE POWER SUPPLIES
 TITLE **DIAMOND PLUS 1100B MULTIPURPOSE CABINET**
 DWG. NO. **UD-100191S** SHEET 2 OF 11 REV. **6**

F

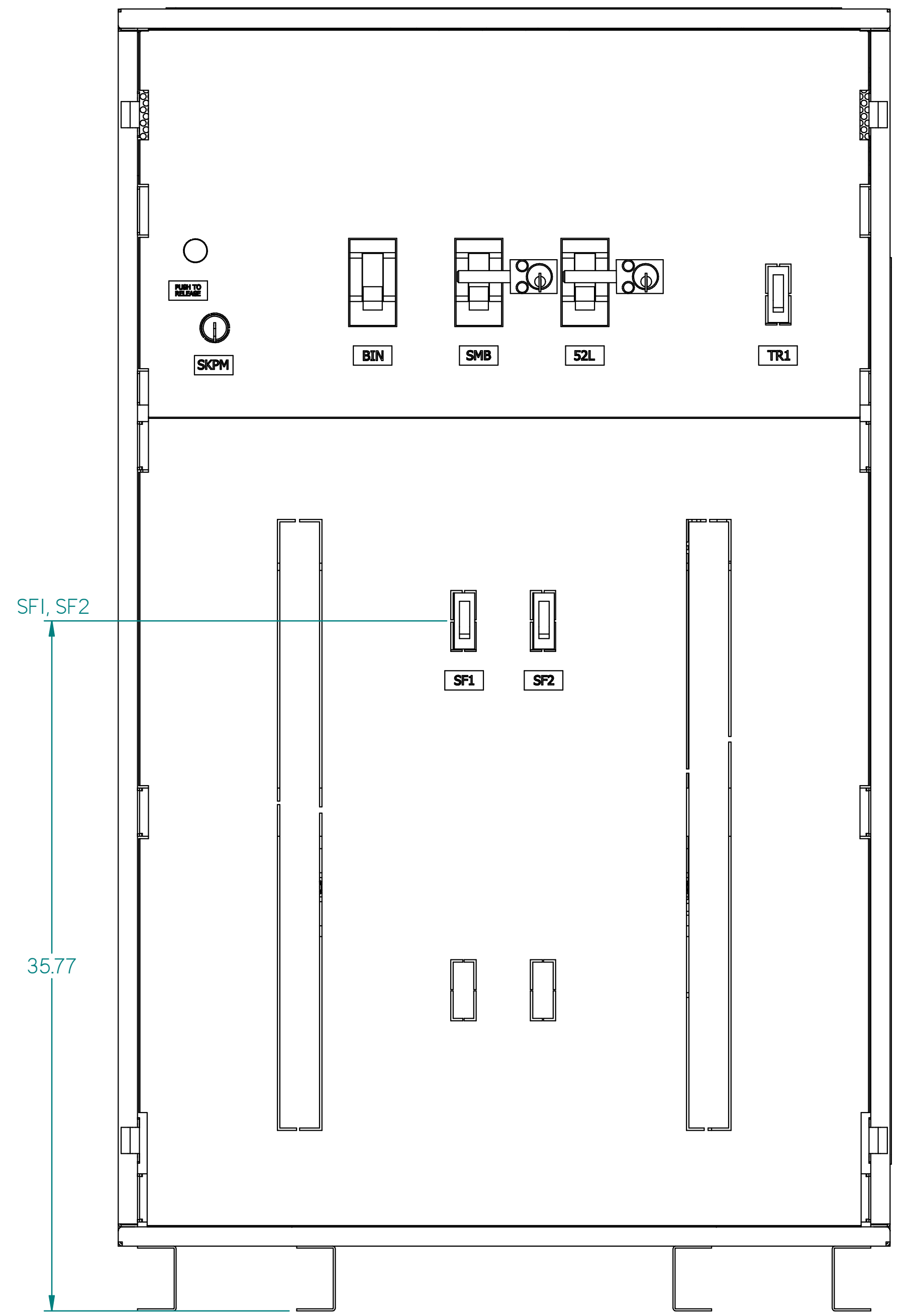
E

D

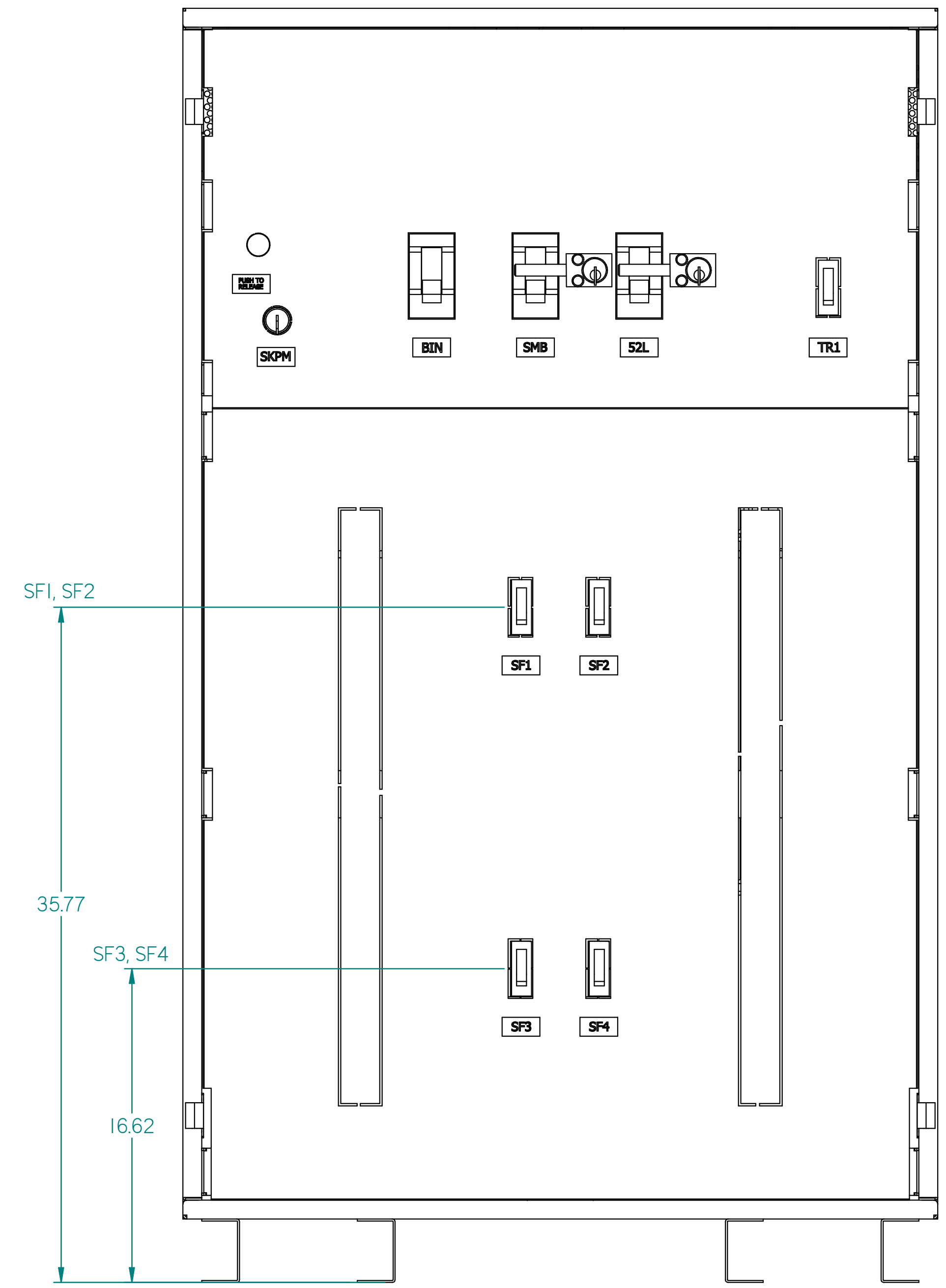
C

B

A



MULTIPURPOSE CABINET w/ (2) SUB-FEED BREAKERS
(DOORS REMOVED)




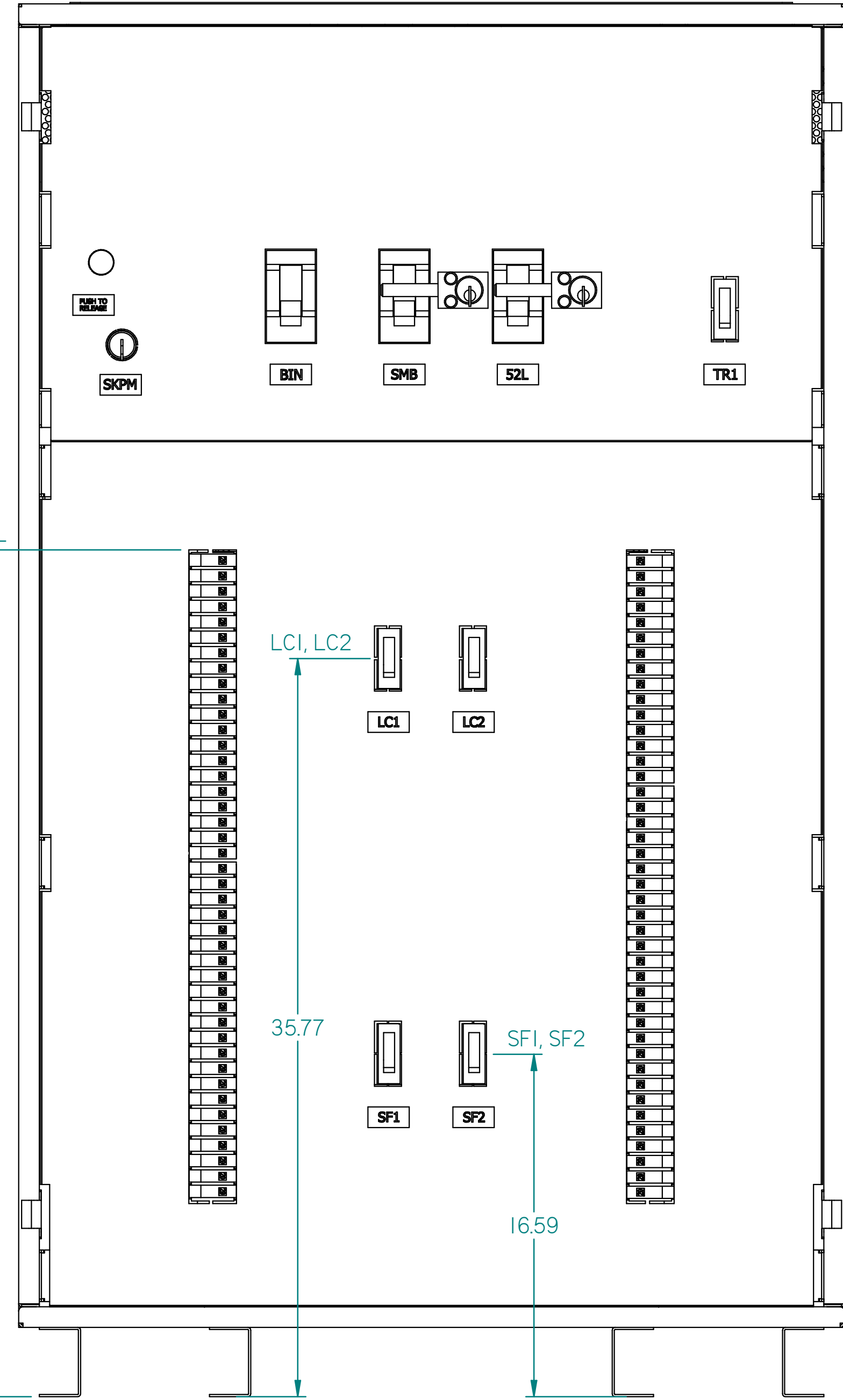
MULTIPURPOSE CABINET w/ (4) SUB-FEED BREAKERS
(DOORS REMOVED)

REVISIONS

NO. 24	
--------	--

DIM. IN	IN [MM]	SCALE	DRAFTER G. JOHNSTON	DATE
<small>PROPRIETARY This document is the property of Mitsubishi Electric Power Products, Inc. and contains proprietary and confidential information which must not be duplicated, used or disclosed other than as expressly authorized by Mitsubishi Electric Power Products, Inc.</small>			CHECKED	DATE
REF DWG. NO.			ENGINEER	DATE
FILE LOCATION:			APPROVED	DATE


MITSUBISHI ELECTRIC
 UNINTERRUPTABLE POWER SUPPLIES
 TITLE **DIAMOND PLUS 1100B MULTIPURPOSE CABINET**
 DWG. NO. **UD-100191S** SHEET 3 OF 11 REV. **6**



MULTIPURPOSE CABINET W/ (2) 42-POLE PANEL & (2) SUB-FEED BREAKERS
(DOORS REMOVED)

REV. NO.	DIM. IN		SCALE	DRAFTER	DATE
		IN	[MM]	G. JOHNSTON	
	<small>PROPRIETARY This document is the property of Mitsubishi Electric Power Products, Inc. and contains proprietary and confidential information which must not be duplicated, used or disclosed other than as expressly authorized by Mitsubishi Electric Power Products, Inc.</small>			CHECKED	DATE
				ENGINEER	DATE
REF DWG. NO.				APPROVED	DATE
FILE LOCATION:					

MITSUBISHI ELECTRIC
 UNINTERRUPTABLE POWER SUPPLIES
 TITLE **DIAMOND PLUS 1100B MULTIPURPOSE CABINET**
 DWG. NO. **UD-100191S** SHEET 4 OF 11 REV. **6**

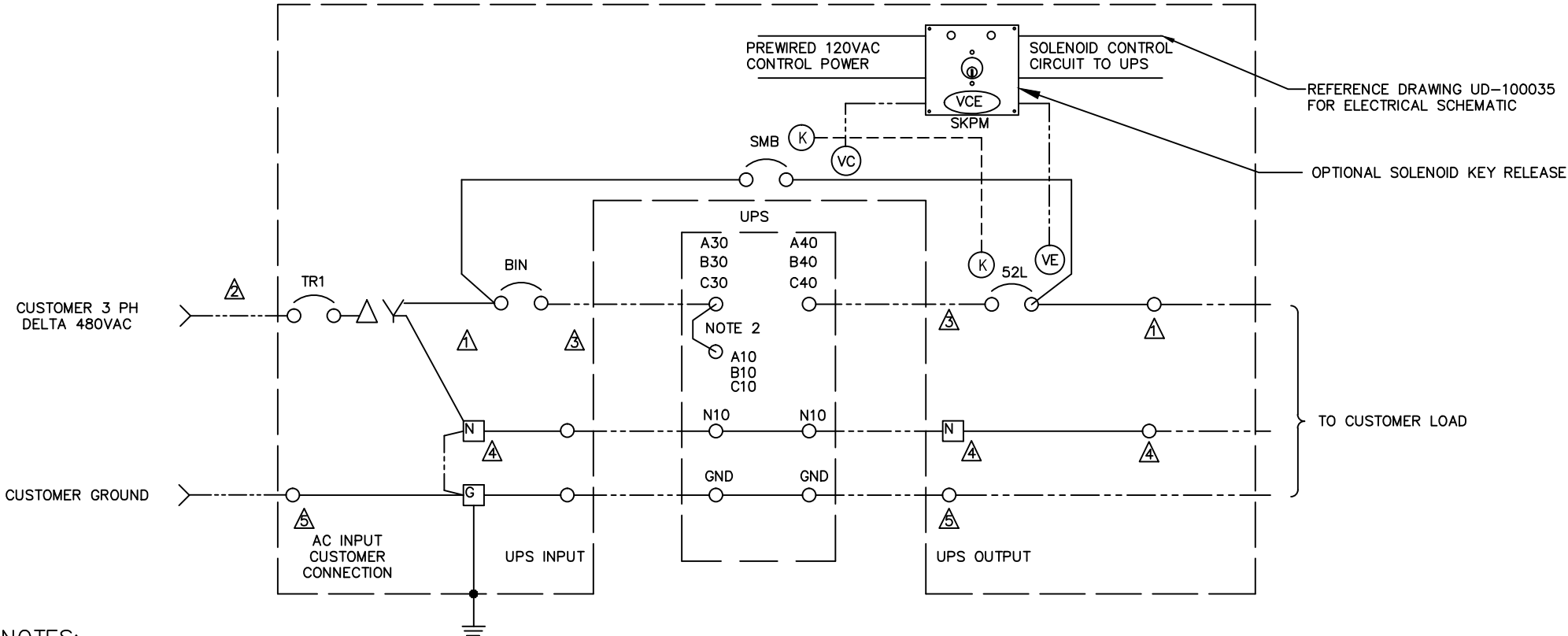
LEGEND

- — — — — WIRED BY MITSUBISHI
- - - - - WIRED BY CUSTOMER
- - - - (K) - - - KIRK-KEY INTERLOCK SYSTEM
- SKPM - SOLENOID KEY RELEASE-(OPTIONAL)
- △ - CONNECTION TYPE

Multipurpose Cabinet

Circuit Breaker Summary															
UPS kVA	Bypass Breaker						Transformer Disconnect Breaker								
	Mfg.	Breaker Size	Frame Size	Trip Setting	P/N	Breaker AIC	Wire Range	Mfg.	Breaker Size	Frame Size	Trip Setting	P/N	Breaker AIC	Wire Range	
50	Square-D	J-Frame	250A	200A	JDF36200	25k	(1) 3/0 AWG-350kcmil	Square-D	J-Frame	250A	175A	JDF36175	25k	(1) 4-4/0 AWG	
60				225A	JDF36225										
70		L-Frame	400A	275A	LDF36400U31X										
80				300A											
Subfeed (SF) Breaker															
UPS kVA	Mfg.	Breaker Size	Frame Size	Trip Setting	P/N	Breaker AIC	Wire Range	Mfg.	Breaker Size	Frame Size	Trip Setting	P/N	Breaker AIC	Wire Range	
50	Square-D	J-Frame	250A	200A	JDF36200	25k	(1) 3/0 AWG-350kcmil	Square-D	QOB Breakers		10-125A 1, 2, or 3 pole	Varies depending on size	10k	Varies depending on size	
60		J-Frame		225A	JDF36225										
70															
80															

SYSTEM MAINTENANCE BYPASS W/ TRANSFORMER



- NOTES:**
- NEUTRAL CONNECTION NOT USED ON AC INPUT.
 - OPTIONAL INPUT/BYPASS JUMPER CBL-1100B-080-JMP

TP1 Transformer Ratings							
kVA	Primary	Secondary	Freq.	Material	Temp. Rise	K-Factor	IZ%
105	480	208Y/120	60Hz	Al	150°C	K1	5.36%
105	600	208Y/120	60Hz	Al	150°C	K1	5.36%

CUSTOMER CONNECTION SCHEDULE

Cable Connection Schedule						
Drawing Designation	Connection Type	Connection Location	Connection Size	Wire Type (70-80kVA)	Wire Type (50-60kVA)	Suggested Connector
△1	Phase Power Input/Output	Input Power Connection	3/8" Clearance Hole. 1.75" Center to Center Spacing	Consult NEC NFPA 70		Burndy YA-L Series or YAV Series for 2-Hole
△2	Phase Power Input/Output	Breaker Output	3/8" Clearance Hole.	(1) 3/0 AWG-350kcmil		Burndy YA-L Series
△3	Phase Power Input/Output	Input Power Connection Block	3/8" Clearance Hole.	(2) 2/0 AWG-500kcmil	(1) 3/0 AWG-350kcmil	Burndy YA-L Series
△4	Neutral Input/Output	Input Neutral Connection Block	3/8" Clearance Hole. 1.75" Center to Center Spacing	Consult NEC NFPA 70		Burndy YA-L Series or YAV Series for 2-Hole
△5	Ground Connection	Ground Bus Bar	3/8" Clearance Hole. 1.75" Center to Center Spacing	Consult NEC NFPA 70 Article 250		Burndy YA-L Series or YAV Series for 2-Hole
△6	Ground Connection	Ground Bus Bar	.224" Hole for 1/4" Thread Forming Screw	Consult NEC NFPA 70 Article 251		Burndy YA-L Series

REVISIONS

DIM. IN: INCHES	SCALE: NTS	DRAFTER: G. JOHNSTON	DATE:
<small>PROPRIETARY THIS DOCUMENT IS PROPERTY OF MITSUBISHI ELECTRIC POWER PRODUCTS, INC. AND CONTAINS PROPRIETARY AND CONFIDENTIAL INFORMATION WHICH MUST NOT BE DUPLICATED, USED OR DISCLOSED OTHER THAN AS EXPRESSLY AUTHORIZED BY MITSUBISHI ELECTRIC POWER PRODUCTS, INC.</small>			
REF. DWG. No.	APPROVED:	DATE:	DATE:
FILE LOCATION:			

MITSUBISHI ELECTRIC POWER PRODUCTS, INC.
 WARRENDALE, PA.
DIAMOND PLUS 1100B MULTIPURPOSE CABINET
 DWG. No. UD-100191S SHEET 5 OF 11 REV: 6

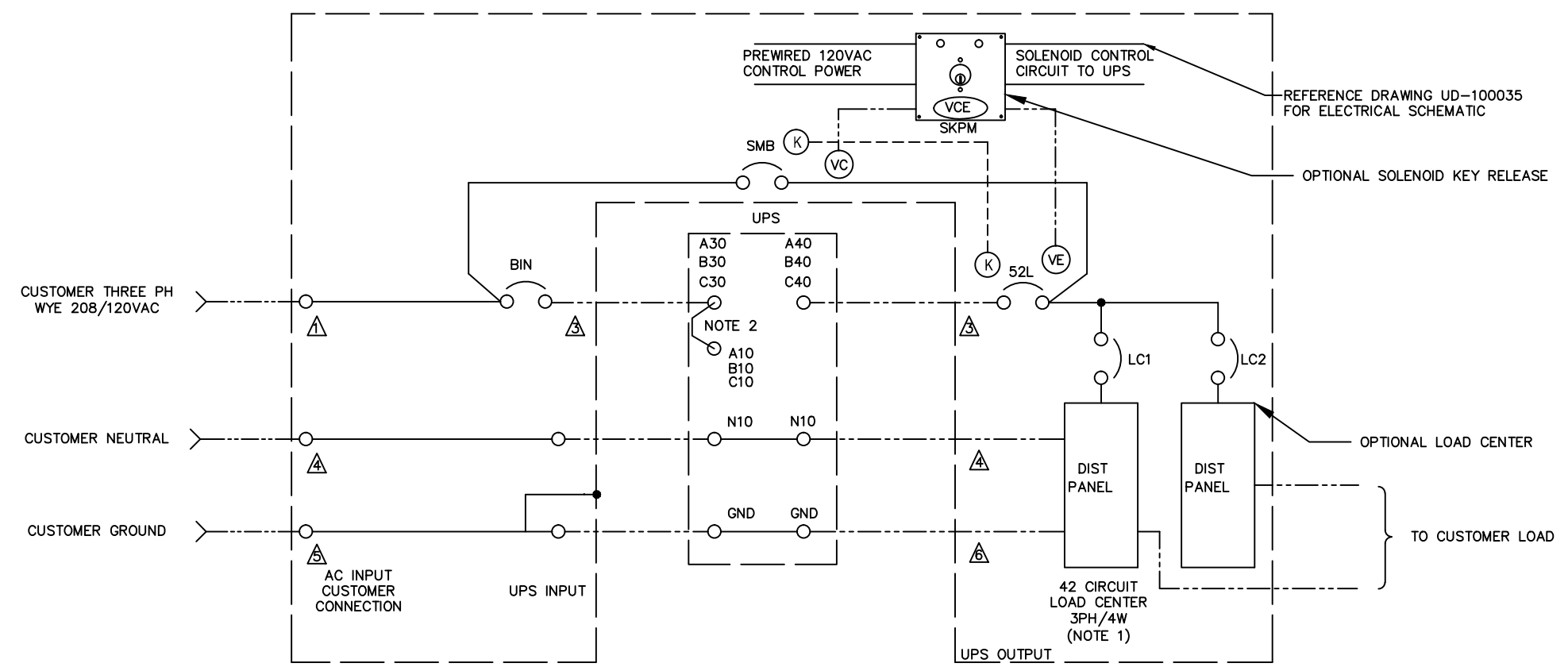
LEGEND

- WIRED BY MITSUBISHI
- - - WIRED BY CUSTOMER
- ⊗ SKPM - KIRK-KEY INTERLOCK SYSTEM
- △ SKPM - SOLENOID KEY RELEASE--(OPTIONAL)
- △ - CONNECTION TYPE

Multipurpose Cabinet

UPS kVA	Bypass Breaker						Transformer Disconnect Breaker							
	Mfg.	Breaker Size	Frame Size	Trip Setting	P/N	Breaker AIC	Wire Range	Mfg.	Breaker Size	Frame Size	Trip Setting	P/N	Breaker AIC	Wire Range
50	Square-D	J-Frame	250A	200A	JDF36200	25k	(1) 3/0 AWG-350kcmil	Square-D	J-Frame	250A	175A	JDF36175	25k	(1) 4-4/0 AWG
60				225A	JDF36225									
70		L-Frame	400A	275A	LDF36400U31X									
80				300A										
Subfeed (SF) Breaker						Load Center Breakers								
50	Square-D	J-Frame	250A	200A	JDF36200	25k	(1) 3/0 AWG-350kcmil	Square-D	QOB Breakers		10-125A 1, 2, or 3 pole	Varies depending on size	10k	Varies depending on size
60		J-Frame		225A	JDF36225									
70														
80														

SYSTEM MAINTENANCE BYPASS W/ POWER DISTRIBUTION



NOTES:

1. 50-60 KVA MLO
70-80 KVA MAIN CIRCUIT BREAKER
2. OPTIONAL INPUT/BYPASS JUMPER CBL-1100B-080-JMP

CUSTOMER CONNECTION SCHEDULE

Cable Connection Schedule						
Drawing Designation	Connection Type	Connection Location	Connection Size	Wire Type (70-80kVA)	Wire Type (50-60kVA)	Suggested Connector
1	Phase Power Input/Output	Input Power Connection	3/8" Clearance Hole. 1.75" Center to Center Spacing	Consult NEC NFPA 70		Burndy YA-L Series or YAV Series for 2-Hole
2	Phase Power Input/Output	Breaker Output	3/8" Clearance Hole.	(1) 3/0 AWG-350kcmil		Burndy YA-L Series
3	Phase Power Input/Output	Input Power Connection Block	3/8" Clearance Hole.	(2) 2/0 AWG-500kcmil	(1) 3/0 AWG-350kcmil	Burndy YA-L Series
4	Neutral Input/Output	Input Neutral Connection Block	3/8" Clearance Hole. 1.75" Center to Center Spacing	Consult NEC NFPA 70		Burndy YA-L Series or YAV Series for 2-Hole
5	Ground Connection	Ground Buss Bar	3/8" Clearance Hole. 1.75" Center to Center Spacing	Consult NEC NFPA 70 Article 250		Burndy YA-L Series or YAV Series for 2-Hole
6	Ground Connection	Ground Buss Bar	.224" Hole for 1/4" Thread Forming Screw	Consult NEC NFPA 70 Article 251		Burndy YA-L Series

REVISIONS	DIM. IN: INCHES	SCALE: NTS	DRAFTER: G. JOHNSTON	DATE:	<p>MITSUBISHI ELECTRIC POWER PRODUCTS, INC. WARRENDALE, PA.</p> <p>TITLE: DIAMOND PLUS 1100B MULTIPURPOSE CABINET</p> <p>DWG. No. UD-100191S SHEET 6 OF 11 REV: 6</p>
	<small>PROPRIETARY THIS DOCUMENT IS PROPERTY OF MITSUBISHI ELECTRIC POWER PRODUCTS INC. AND CONTAINS PROPRIETARY AND CONFIDENTIAL INFORMATION WHICH MUST NOT BE DUPLICATED, USED OR DISCLOSED OTHER THAN AS EXPRESSLY AUTHORIZED BY MITSUBISHI ELECTRIC POWER PRODUCTS INC.</small>				
	REF. DWG. No.	APPROVED:	ENGINEER:	DATE:	
	FILE LOCATION:				

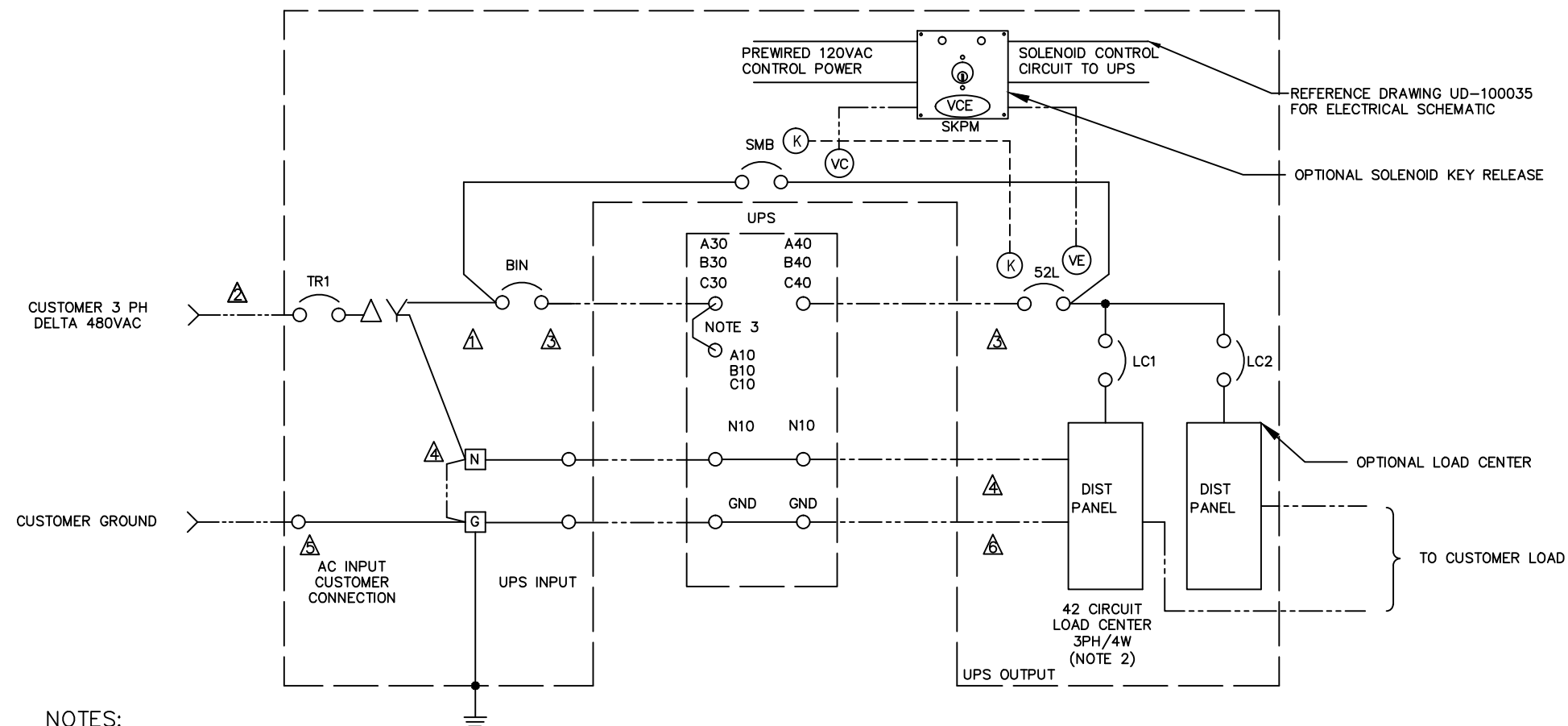
Multipurpose Cabinet

UPS kVA	Bypass Breaker						Transformer Disconnect Breaker							
	Mfg.	Breaker Size	Frame Size	Trip Setting	P/N	Breaker AIC	Wire Range	Mfg.	Breaker Size	Frame Size	Trip Setting	P/N	Breaker AIC	Wire Range
50	Square-D	J-Frame	250A	200A	JDF36200	25k	(1) 3/0 AWG-350kcmil	Square-D	J-Frame	250A	175A	JDF36175	25k	(1) 4-4/0 AWG
60				225A	JDF36225									
70		L-Frame	400A	275A	LDF36400U31X									
80	300A													
Subfeed (SF) Breaker							Load Center Breakers							
50	Square-D	J-Frame	250A	200A	JDF36200	25k	(1) 3/0 AWG-350kcmil	Square-D	QOB Breakers		10-125A 1, 2, or 3 pole	Varies depending on size	10k	Varies depending on size
60		J-Frame		225A	JDF36225									
70		J-Frame												
80		J-Frame												

LEGEND

- WIRED BY MITSUBISHI
- - - WIRED BY CUSTOMER
- (K) - KIRK-KEY INTERLOCK SYSTEM
- SKPM - SOLENOID KEY RELEASE--(OPTIONAL)
- Δ - CONNECTION TYPE

SYSTEM MAINTENANCE BYPASS W/ TRANSFORMER & POWER DISTRIBUTION



NOTES:

- NEUTRAL CONNECTION NOT USED ON AC INPUT.
- 50-60 KVA MLO
70-80 KVA MAIN CIRCUIT BREAKER
- OPTIONAL INPUT/BYPASS JUMPER CBL-1100B-080-JMP

TP1 Transformer Ratings							
kVA	Primary	Secondary	Freq.	Material	Temp. Rise	K-Factor	IZ%
105	480	208Y/120	60Hz	Al	150°C	K1	5.36%
105	600	208Y/120	60Hz	Al	150°C	K1	5.36%

CUSTOMER CONNECTION SCHEDULE

Cable Connection Schedule						
Drawing Designation	Connection Type	Connection Location	Connection Size	Wire Type (70-80kVA)	Wire Type (50-60kVA)	Suggested Connector
1	Phase Power Input/Output	Input Power Connection	3/8" Clearance Hole. 1.75" Center to Center Spacing	Consult NEC NFPA 70		Burndy YA-L Series or YAV Series for 2-Hole
2	Phase Power Input/Output	Breaker Output	3/8" Clearance Hole.	(1) 3/0 AWG-350kcmil		Burndy YA-L Series
3	Phase Power Input/Output	Input Power Connection Block	3/8" Clearance Hole.	(2) 2/0 AWG-500kcmil	(1) 3/0 AWG-350kcmil	Burndy YA-L Series
4	Neutral Input/Output	Input Neutral Connection Block	3/8" Clearance Hole. 1.75" Center to Center Spacing	Consult NEC NFPA 70		Burndy YA-L Series or YAV Series for 2-Hole
5	Ground Connection	Ground Buss Bar	3/8" Clearance Hole. 1.75" Center to Center Spacing	Consult NEC NFPA 70 Article 250		Burndy YA-L Series or YAV Series for 2-Hole
6	Ground Connection	Ground Buss Bar	.224" Hole for 1/4" Thread Forming Screw	Consult NEC NFPA 70 Article 251		Burndy YA-L Series

REVISIONS

DIM. IN: INCHES	SCALE: NTS	DRAFTER: G. JOHNSTON	DATE:
<small>PROPRIETARY THIS DOCUMENT IS PROPERTY OF MITSUBISHI ELECTRIC POWER PRODUCTS INC. AND CONTAINS PROPRIETARY AND CONFIDENTIAL INFORMATION WHICH MUST NOT BE DUPLICATED, USED OR DISCLOSED OTHER THAN AS EXPRESSLY AUTHORIZED BY MITSUBISHI ELECTRIC POWER PRODUCTS INC.</small>			
REF. DWG. No.	APPROVED:	ENGINEER:	DATE:
FILE LOCATION:			



TITLE: DIAMOND PLUS 1100B MULTIPURPOSE CABINET

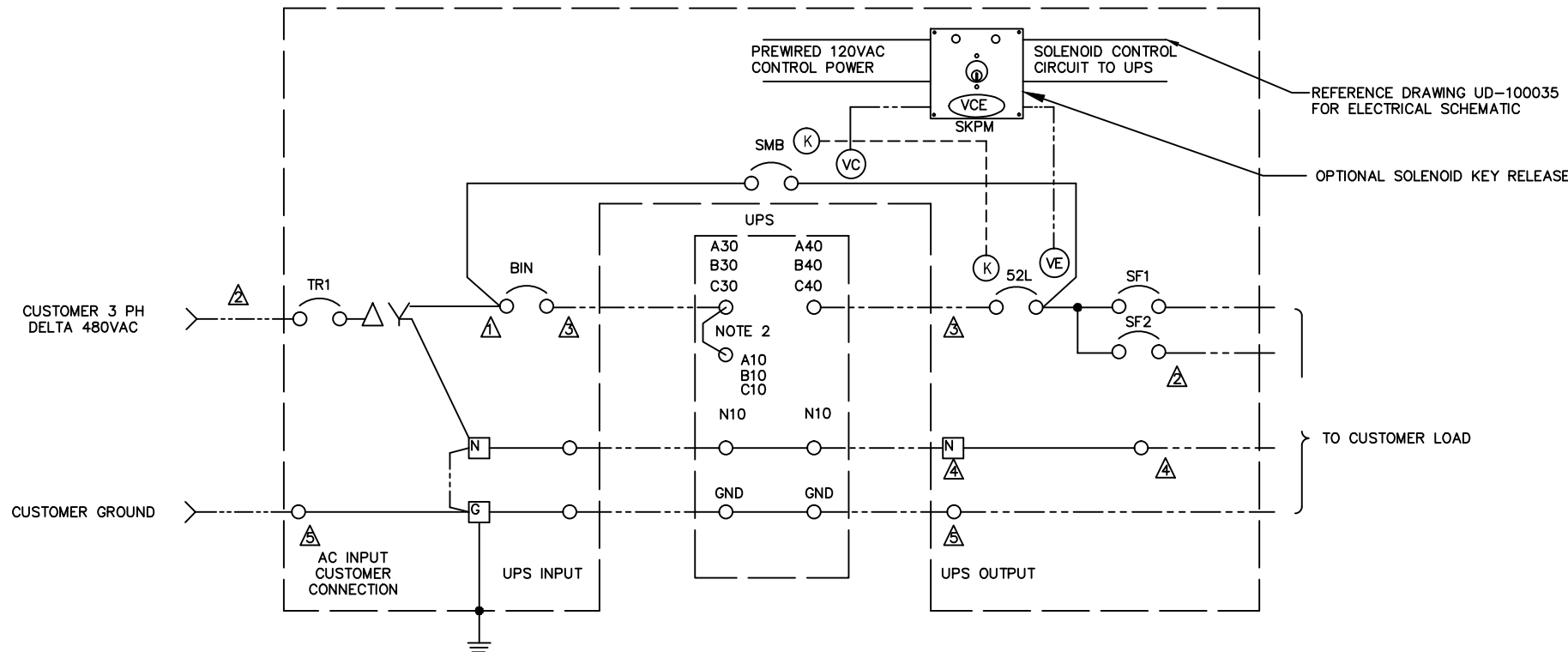
DWG. No. UD-100191S SHEET 7 OF 11 REV: 6

LEGEND
 - WIRED BY MITSUBISHI
 - WIRED BY CUSTOMER
 - KIRK-KEY INTERLOCK SYSTEM
 SKPM - SOLENOID KEY RELEASE--(OPTIONAL)
 Δ - CONNECTION TYPE

Multipurpose Cabinet

		Circuit Breaker Summary													
UPS kVA		Bypass Breaker					Transformer Disconnect Breaker								
Mfg.	Breaker Size	Frame Size	Trip Setting	P/N	Breaker AIC	Wire Range	Mfg.	Breaker Size	Frame Size	Trip Setting	P/N	Breaker AIC	Wire Range		
Square-D	J-Frame	250A	200A	JDF36200	25k	(1) 3/0 AWG-350kcmil	Square-D	J-Frame	250A	175A	JDF36175	25k	(1) 4-4/0 AWG		
			225A	JDF36225											
	L-Frame	400A	275A	LDF36400U31X											
			300A												
		Subfeed (SF) Breaker					Load Center Breakers								
Square-D	J-Frame	250A	200A	JDF36200	25k	(1) 3/0 AWG-350kcmil	Square-D	QOB Breakers		10-125A 1, 2, or 3 pole	Varies depending on size	10k	Varies depending on size		
	J-Frame		225A	JDF36225											

SYSTEM MAINTENANCE BYPASS W/ TRANSFORMER AND 2 SUBFEED CIRCUIT BREAKERS



CUSTOMER CONNECTION SCHEDULE

Cable Connection Schedule						
Drawing Designation	Connection Type	Connection Location	Connection Size	Wire Type (70-80kVA)	Wire Type (50-60kVA)	Suggested Connector
1	Phase Power Input/Output	Input Power Connection	3/8" Clearance Hole. 1.75" Center to Center Spacing	Consult NEC NFPA 70 Article 250		Burndy YA-L Series or YAV Series for 2-Hole
2	Phase Power Input/Output	Breaker Output	3/8" Clearance Hole.	(1) 3/0 AWG-350kcmil		Burndy YA-L Series
3	Phase Power Input/Output	Input Power Connection Block	3/8" Clearance Hole.	(2) 2/0 AWG-500kcmil	(1) 3/0 AWG-350kcmil	Burndy YA-L Series
4	Neutral Input/Output	Input Neutral Connection Block	3/8" Clearance Hole. 1.75" Center to Center Spacing	Consult NEC NFPA 70 Article 250		Burndy YA-L Series or YAV Series for 2-Hole
5	Ground Connection	Ground Buss Bar	3/8" Clearance Hole. 1.75" Center to Center Spacing	Consult NEC NFPA 70 Article 250	Consult NEC NFPA 70 Article 250	Burndy YA-L Series or YAV Series for 2-Hole

- NOTES:
 1. NEUTRAL CONNECTION NOT USED ON AC INPUT.
 2. OPTIONAL INPUT/BYPASS JUMPER CBL-1100B-080-JMP

TP1 Transformer Ratings							
kVA	Primary	Secondary	Freq.	Material	Temp. Rise	K-Factor	I2%
105	480	208Y/120	60Hz	Al	150°C	K1	5.36%

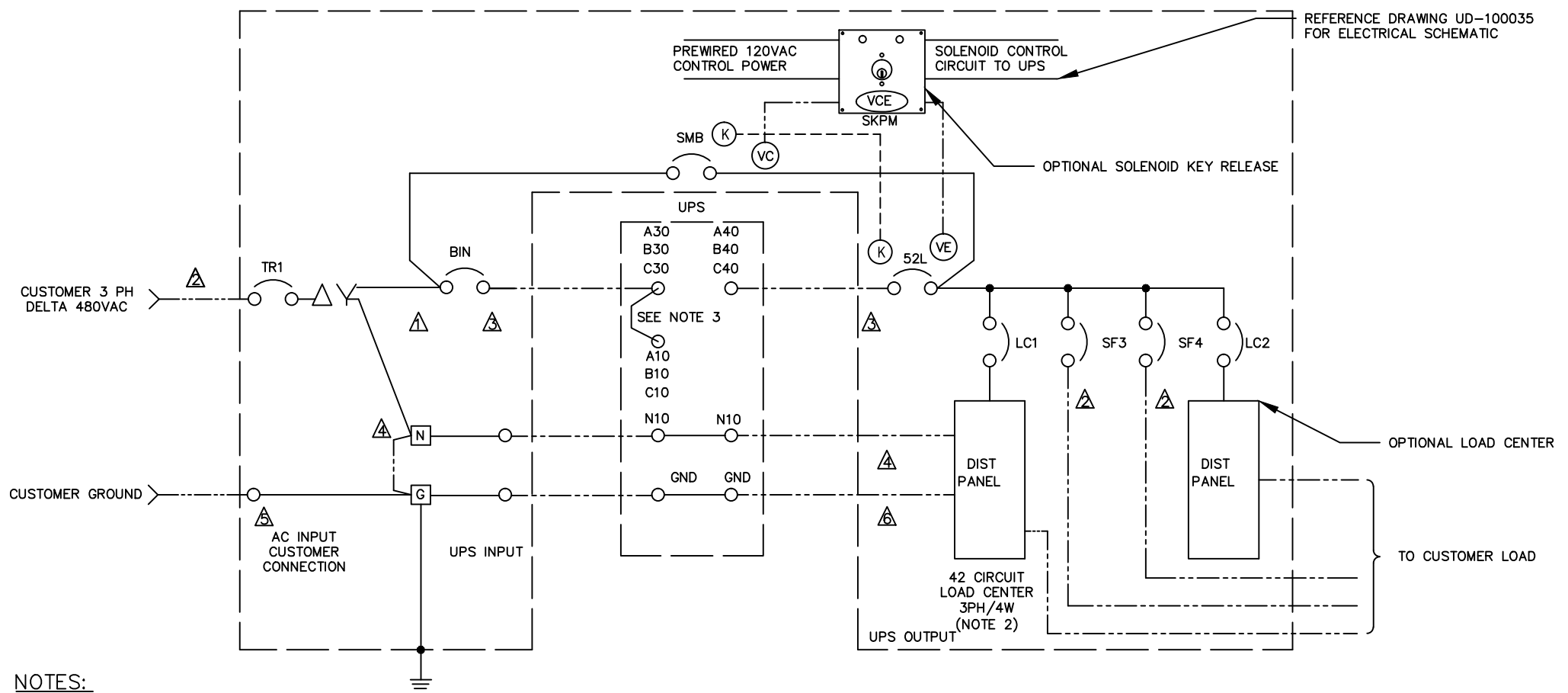
REVISIONS	DIM. IN: INCHES	SCALE: NTS	DRAFTER: G. JOHNSTON	DATE:	MITSUBISHI ELECTRIC POWER PRODUCTS, INC. WARRENDALE, PA.	
	PROPRIETARY THIS DOCUMENT IS PROPERTY OF MITSUBISHI ELECTRIC POWER PRODUCTS INC. AND CONTAINS PROPRIETARY AND CONFIDENTIAL INFORMATION WHICH MUST NOT BE DUPLICATED, USED OR DISCLOSED OTHER THAN AS EXPRESSLY AUTHORIZED BY MITSUBISHI ELECTRIC POWER PRODUCTS INC.			CHECKED:		DATE:
	REF. DWG. No.	APPROVED:	DATE:	TITLE: DIAMOND PLUS 1100B MULTIPURPOSE CABINET		
	FILE LOCATION:				DWG No. UD-100191S	SHEET 8 OF 11 REV: 6
	DIMENSIONS: F, E, D, C, B, A (vertical); 4, 3, 2, 1 (horizontal)					

LEGEND

- - WIRED BY MITSUBISHI
- - - - - - WIRED BY CUSTOMER
- - - - - (K) - KIRK-KEY INTERLOCK SYSTEM
- SKPM - SOLENOID KEY RELEASE--(OPTIONAL)
- △ - CONNECTION TYPE

Circuit Breaker Summary															
UPS kVA	Bypass Breaker (BIN, SMB, 52L)						Transformer Disconnect Breaker (TR1)								
	Mfg.	Breaker Size	Frame Size	Trip Setting	P/N	Breaker AIC	Wire Range	Mfg.	Breaker Size	Frame Size	Trip Setting	P/N	Breaker AIC	Wire Range	
50	Square-D	J-Frame	250A	200A	JDF36200	25k	(1) 3/0 AWG-350kcmil	Square-D	J-Frame	250A	175A	JDF36175	25k	(1) 4-4/0 AWG	
60				225A	JDF36225										
70		L-Frame	400A	275A	LDF36400U31X										
80				300A											
Subfeed Breaker (SF)															
UPS kVA	Square-D	J-Frame	250A	200A	JDF36200	25k	(1) 3/0 AWG-350kcmil	Square-D	QOB Breakers		10-125A 1, 2, or 3 pole	Varies depending on size	10k	Varies depending on size	
				60	225A										JDF36225
		70	J-Frame	250A											
		80													

SYSTEM MAINTENANCE BYPASS W/ TRANSFORMER, 2 SUBFEED BREAKERS & POWER DISTRIBUTION



- NOTES:**
- NEUTRAL CONNECTION NOT USED ON AC INPUT.
 - 50-60 KVA MLO
70-80 KVA MAIN CIRCUIT BREAKER
 - OPTIONAL INPUT/BYPASS JUMPERS CBL-1100B-080-JMP

TP1 Transformer Ratings							
kVA	Primary	Secondary	Freq.	Material	Temp. Rise	K-Factor	I2%
105	480	208Y/120	60Hz	Al	150°C	K1	5.36%
105	600	208Y/120	60Hz	Al	150°C	K1	5.36%

CUSTOMER CONNECTION SCHEDULE

Cable Connection Schedule						
Drawing Designation	Connection Type	Connection Location	Connection Size	Wire Type (70-80kVA)	Wire Type (50-60kVA)	Suggested Connector
△1	Phase Power Input/Output	Input Power Connection	3/8" Clearance Hole. 1.75" Center to Center Spacing	Consult NEC NFPA 70		Burndy YA-L Series or YAV Series for 2-Hole
△2	Phase Power Input/Output	Breaker Output	3/8" Clearance Hole.	(1) 3/0 AWG-350kcmil		Burndy YA-L Series
△3	Phase Power Input/Output	Input Power Connection Block	3/8" Clearance Hole.	(2) 2/0 AWG-500kcmil	(1) 3/0 AWG-350kcmil	Burndy YA-L Series
△4	Neutral Input/Output	Input Neutral Connection Block	3/8" Clearance Hole. 1.75" Center to Center Spacing	Consult NEC NFPA 70		Burndy YA-L Series or YAV Series for 2-Hole
△5	Ground Connection	Ground Buss Bar	3/8" Clearance Hole. 1.75" Center to Center Spacing	Consult NEC NFPA 70 Article 250		Burndy YA-L Series or YAV Series for 2-Hole
△6	Ground Connection	Ground Buss Bar	.224" Hole for 1/4" Thread Forming Screw	Consult NEC NFPA 70 Article 251		Burndy YA-L Series

REVISIONS	DIM. IN: INCHES	SCALE: NTS	DRAFTER: G. JOHNSTON	DATE:	<p>MITSUBISHI ELECTRIC POWER PRODUCTS, INC. WARRENDALE, PA.</p> <p>TITLE: DIAMOND PLUS 1100B MULTIPURPOSE CABINET</p> <p>DWG. No. UD-100191S SHEET 9 OF 11 REV: 6</p>
	<small>PROPRIETARY THIS DOCUMENT IS PROPERTY OF MITSUBISHI ELECTRIC POWER PRODUCTS INC. AND CONTAINS PROPRIETARY AND CONFIDENTIAL INFORMATION WHICH MUST NOT BE DUPLICATED, USED OR DISCLOSED OTHER THAN AS EXPRESSLY AUTHORIZED BY MITSUBISHI ELECTRIC POWER PRODUCTS INC.</small>				
	REF. DWG. No.	APPROVED:	DATE:	DATE:	
	FILE LOCATION:				

DWG. No. UD-100191S

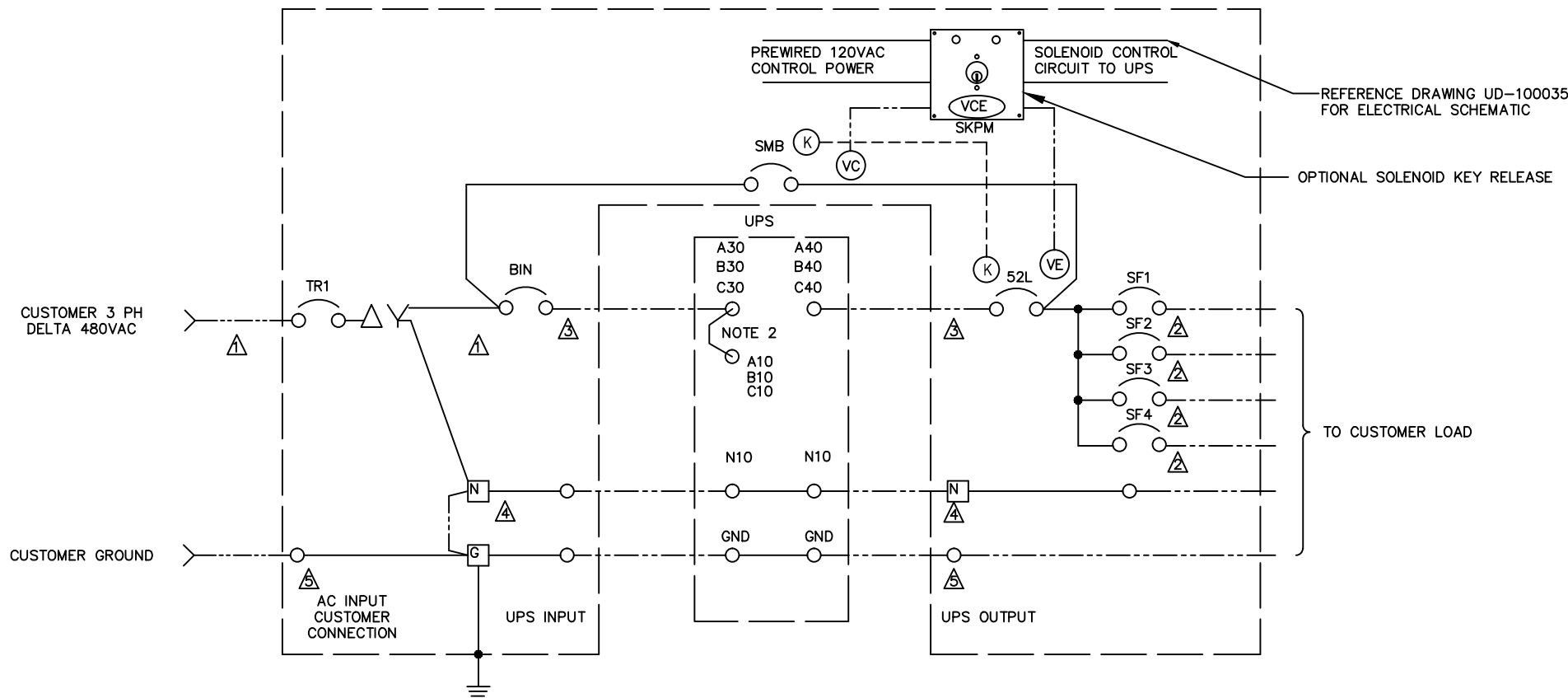
Multipurpose Cabinet

Circuit Breaker Summary																	
UPS kVA	Mfg.	Breaker Size	Frame Size	Bypass Breaker			Transformer Disconnect Breaker										
				Trip Setting	P/N	Breaker AIC	Wire Range	Mfg.	Breaker Size	Frame Size	Trip Setting	P/N	Breaker AIC	Wire Range			
50	Square-D	J-Frame	250A	200A	JDF36200	25k	(1) 3/0 AWG-350kcmil	Square-D	J-Frame	250A	175A	JDF36175	25k	(1) 4-4/0 AWG			
60				225A	JDF36225												
70		L-Frame	400A	275A	LDF36400U31X												
80				300A													
Subfeed (SF) Breaker																	
UPS kVA	Mfg.	Breaker Size	Frame Size	Subfeed (SF) Breaker			Load Center Breakers										
				Trip Setting	P/N	Breaker AIC	Wire Range	Mfg.	Breaker Size	Frame Size	Trip Setting	P/N	Breaker AIC	Wire Range			
				50	Square-D	J-Frame	250A	200A	JDF36200	25k	(1) 3/0 AWG-350kcmil	Square-D	QOB Breakers	10-125A 1, 2, or 3 pole	Varies depending on size	10k	Varies depending on size
				60		J-Frame		225A	JDF36225								
70																	
80																	

LEGEND

- WIRED BY MITSUBISHI
- - - WIRED BY CUSTOMER
- ⊗ KIRK-KEY INTERLOCK SYSTEM
- SKPM SOLENOID KEY RELEASE-(OPTIONAL)
- △ CONNECTION TYPE

SYSTEM MAINTENANCE BYPASS W/ TRANSFORMER AND 4 SUBFEED CIRCUIT BREAKERS



CUSTOMER CONNECTION SCHEDULE

Cable Connection Schedule						
Drawing Designation	Connection Type	Connection Location	Connection Size	Wire Type (70-80kVA)	Wire Type (50-60kVA)	Suggested Connector
1	Phase Power Input/Output	Input Power Connection	3/8" Clearance Hole. 1.75" Center to Center Spacing	Consult NEC NFPA 70 Article 250		Burndy YA-L Series or YAV Series for 2-Hole
2	Phase Power Input/Output	Breaker Output	3/8" Clearance Hole.	(1) 3/0 AWG-350kcmil		Burndy YA-L Series
3	Phase Power Input/Output	Input Power Connection Block	3/8" Clearance Hole.	(2) 2/0 AWG-500kcmil	(1) 3/0 AWG-350kcmil	Burndy YA-L Series
4	Neutral Input/Output	Input Neutral Connection Block	3/8" Clearance Hole. 1.75" Center to Center Spacing	Consult NEC NFPA 70 Article 250		Burndy YA-L Series or YAV Series for 2-Hole
5	Ground Connection	Ground Buss Bar	3/8" Clearance Hole. 1.75" Center to Center Spacing	Consult NEC NFPA 70 Article 250	Consult NEC NFPA 70 Article 250	Burndy YA-L Series or YAV Series for 2-Hole

NOTES:

1. NEUTRAL CONNECTION NOT USED ON AC INPUT.
2. OPTIONAL INPUT/BYPASS JUMPER CBL-1100B-080-JMP

TP1 Transformer Ratings							
kVA	Primary	Secondary	Freq.	Material	Temp. Rise	K-Factor	IZ%
105	480	208Y/120	60Hz	Al	150°C	K1	5.36%

REVISIONS	DIM. IN: INCHES	SCALE: NTS	DRAFTER: G. JOHNSTON	DATE:	<p>MITSUBISHI ELECTRIC POWER PRODUCTS, INC. WARRENDALE, PA.</p> <p>TITLE: DIAMOND PLUS 1100B MULTIPURPOSE CABINET</p> <p>DWG. No. SHEET 10 OF 11 REV: 6</p>
	<small>PROPRIETARY THIS DOCUMENT IS PROPERTY OF MITSUBISHI ELECTRIC POWER PRODUCTS INC. AND CONTAINS PROPRIETARY AND CONFIDENTIAL INFORMATION WHICH MUST NOT BE DUPLICATED, USED OR DISCLOSED OTHER THAN AS EXPRESSLY AUTHORIZED BY MITSUBISHI ELECTRIC POWER PRODUCTS INC.</small>				
	REF. DWG. No.	APPROVED:	DATE:	DATE:	
	FILE LOCATION:				

DWG. No. UD-100191S

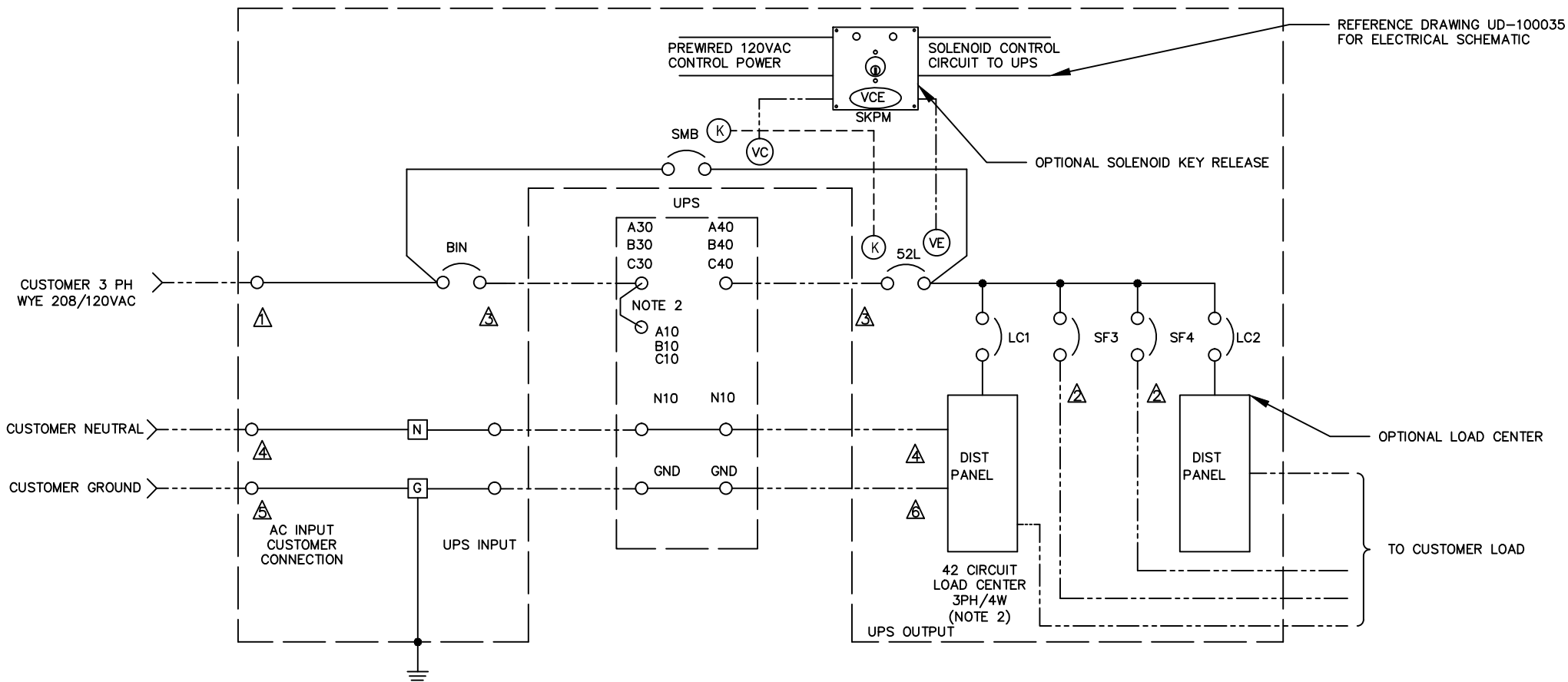
LEGEND

- WIRED BY MITSUBISHI
- - - WIRED BY CUSTOMER
- ⊗ KIRK-KEY INTERLOCK SYSTEM
- SKPM SOLENOID KEY RELEASE-(OPTIONAL)
- △ CONNECTION TYPE

Multipurpose Cabinet

Circuit Breaker Summary															
UPS kVA	Bypass Breaker						Transformer Disconnect Breaker								
	Mfg.	Breaker Size	Frame Size	Trip Setting	P/N	Breaker AIC	Wire Range	Mfg.	Breaker Size	Frame Size	Trip Setting	P/N	Breaker AIC	Wire Range	
50	Square-D	J-Frame	250A	200A	JDF36200	25k	(1) 3/0 AWG-350kcmil	Square-D	J-Frame	250A	175A	JDF36175	25k	(1) 4-4/0 AWG	
60				225A	JDF36225										
70		L-Frame	400A	275A	LDF36400U31X										
80				300A											
Subfeed (SF) Breaker															
UPS kVA	Square-D	J-Frame	250A	200A	JDF36200	25k	(1) 3/0 AWG-350kcmil	Square-D	QOB Breakers		10-125A 1, 2, or 3 pole	Varies depending on size	10k	Varies depending on size	
				60	J-Frame										JDF36225
		70													
		80													
Load Center Breakers															
50															

SYSTEM MAINTENANCE BYPASS W/ 2 SUBFEED BREAKERS & POWER DISTRIBUTION



NOTES:

1. 50-60 KVA MLO
70-80 KVA MAIN CIRCUIT BREAKER
2. OPTIONAL INPUT/BYPASS JUMPER CBL-1100B-080-JMP

CUSTOMER CONNECTION SCHEDULE

Cable Connection Schedule						
Drawing Designation	Connection Type	Connection Location	Connection Size	Wire Type (70-80kVA)	Wire Type (50-60kVA)	Suggested Connector
1	Phase Power Input/Output	Input Power Connection	3/8" Clearance Hole. 1.75" Center to Center Spacing	Consult NEC NFPA 70		Burndy YA-L Series or YAV Series for 2-Hole
2	Phase Power Input/Output	Breaker Output	3/8" Clearance Hole.	(1) 3/0 AWG-350kcmil		Burndy YA-L Series
3	Phase Power Input/Output	Input Power Connection Block	3/8" Clearance Hole.	(2) 2/0 AWG-500kcmil	(1) 3/0 AWG-350kcmil	Burndy YA-L Series
4	Neutral Input/Output	Input Neutral Connection Block	3/8" Clearance Hole. 1.75" Center to Center Spacing	Consult NEC NFPA 70		Burndy YA-L Series or YAV Series for 2-Hole
5	Ground Connection	Ground Buss Bar	3/8" Clearance Hole. 1.75" Center to Center Spacing	Consult NEC NFPA 70 Article 250		Burndy YA-L Series or YAV Series for 2-Hole
6	Ground Connection	Ground Buss Bar	.224" Hole for 1/4" Thread Forming Screw	Consult NEC NFPA 70 Article 251		Burndy YA-L Series

REVISIONS

DIM. IN: INCHES	SCALE: NTS	DRAFTER: G. JOHNSTON	DATE:
<p>PROPRIETARY THIS DOCUMENT IS PROPERTY OF MITSUBISHI ELECTRIC POWER PRODUCTS INC. AND CONTAINS PROPRIETARY AND CONFIDENTIAL INFORMATION WHICH MUST NOT BE DUPLICATED, USED OR DISCLOSED OTHER THAN AS EXPRESSLY AUTHORIZED BY MITSUBISHI ELECTRIC POWER PRODUCTS INC.</p>			
REF. DWG. No.	APPROVED:	ENGINEER:	DATE:
FILE LOCATION:			DATE:
<p>MITSUBISHI ELECTRIC POWER PRODUCTS, INC. WARRENDALE, PA.</p>			<p>TITLE: DIAMOND PLUS 1100B MULTIPURPOSE CABINET</p>
DWG. No. UD-100191S			REV: 5